



# 2023 PRICE LIST

COATING EQUIPMENT FOR  
**GENERAL INDUSTRY**



PROFESSIONAL COATING EQUIPMENT SPECIALIST



# PASSION FOR PAINTING

We are passionate about painting and eager about creating; for this, we design spray guns which help you to cross any boundary.

YOUR CUSTOMERS, OUR MISSION.



## GROUP

Anest Iwata carries more than 90 years-experience in the coating industry, combining the most sophisticated Japanese craftsmanship tradition to the continuous search for leading-edge technology.

## PASSION & PERFORMANCE

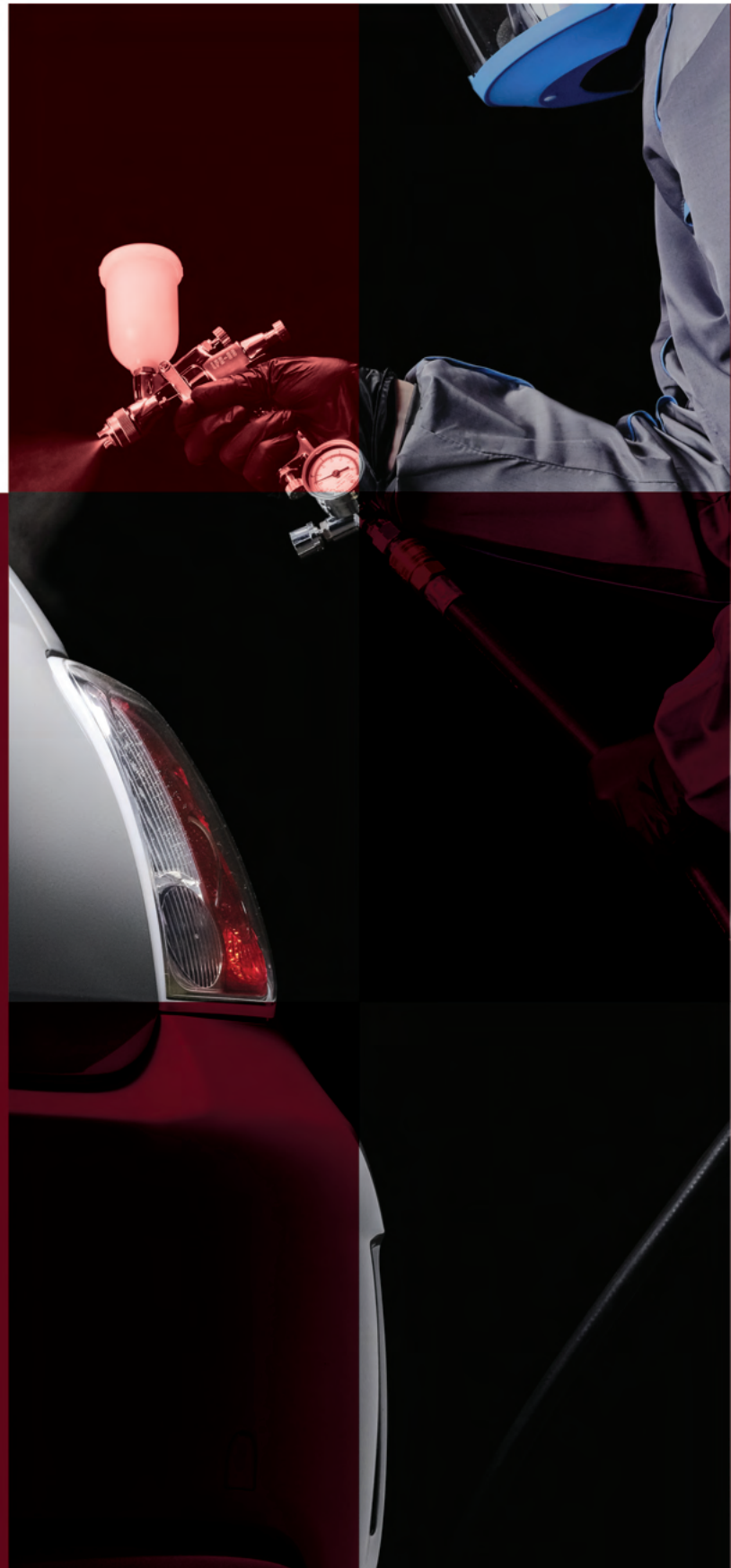
As a global group we aim to deliver the most technically advanced spraying equipment on the market. When designing our products we think about highly professional and creative individual who have passion for painting and are looking for the greatest performance. With this in mind we always try to reach for the highest standards of sophistication, creativity and technical realization.

## A WIDE RANGE

Our range of products varies from several spray guns lines, pumps and painting accessories, projected ad hoc for different paint application and to satisfy the customer in his research for the best solution.

## CUSTOMER ORIENTED

The automotive refinish, together with the industrial and the wood sector are only few of the areas in which the Anest Iwata experience has found its appreciation between the users, not only for the excellence of our tools, but also for the attentive service our customers can count on. Anest Iwata effort in providing the best results in performance is also conceived for the optimization of the resources and materials in the optic of begin environmental-friendly.



# GENERAL INDUSTRY

## A WIDE RANGE OF APPLICATION

Anest Iwata coating equipments are suitable for many fields of the industrial production such as electronic components, food, molding and metals.

## OUR EXPERIENCE

Among the technology we carry a great experience in low pressure applications, airless and multi-spray to help you find the greatest solution for your needs.

## FIND YOUR OPTION

We offer a wide range of manual and automatic spray guns that you can combine with our pumps or that you can mount on robots.





# INDEX

## 1. LOW PRESSURE MANUAL SPRAY GUNS

### PRESSURE / SUCTION

WS-200 SERIES.....8  
 W-200 INTEGRA SERIES.....12  
 W-200 ZP2 FOR ABRASIVE PAINTS.....20  
 WIDER1 CHROME SERIES.....22  
 LW1-10E | LW1-18N EXTENTION  
 NOZZLE GUN.....28  
 W-77 | W-71 SERIES.....30  
 CUPS & CONTAINERS.....34

### LOW PRESSURE ELECTROSTATIC GUNS

#### INTERNAL CHARGING

E-M 15 B | E-M 10 B.....36  
 INTERCHANGEABLE SPARE PARTS.....38

## 2. LOW PRESSURE AUTOMATIC SPRAY GUNS

### GENERAL PURPOSE

WA-200 SERIES.....40  
 WA-101 SERIES.....44  
 LPA-200.....44

### SPECIAL PURPOSE

WA-1218 | WA-0915 | WA-0609 WITH  
 EXTENSION NOZZLE.....46  
 TOF-50 SERIES FOR  
 MOLD RELEASE AGENTS.....48

### ROBOT APPLICATION

WRA-101 SERIES.....50  
 WRA-200 SERIES.....52  
 WA-M220 SERIES.....54

### SPECIAL PURPOSE

TOF-5B&TOF-6BSERIES.....56  
 NEW SGA-3.....58

## 3. PAINT SUPPLY SYSTEM LOW PRESSURE PNEUMATIC EQUIPMENTS

### DOUBLE DIAPHRAGM PAINT PUMPS

DPS-120C SERIES | DPS-90G SERIES  
 DPS-70C SERIES.....60-67

### DIAPHRAGM PUMPS ACCESSORIES

SUPPORTS & ACCESSORIES.....68  
 SUCTION & DRAIN HOSE SET.....69  
 DELIVERY PAINT FILTER SET.....69  
 AIR REGULATOR SET.....69  
 PAINT PRESSURE REGULATOR PR-5BL  
 SERIES.....70

BACK PRESSURE VALVE PR-B5 SERIES....70

TWO-WAY REGULATOR SET.....71

LOW PRESSURE TWIN HOSES.....71

PAINT FLOW CONTROL VALVE FCV-31  
 SERIES.....72

PAINT FLOW CONTROL VALVE FCV-3.....72

PAINT FILTERS FOR DIAPHRAGM  
 PUMPS.....73

### STAINLESS STEEL PRESSURE TANKS

PET-SERIES (10, 30, 50 LT.) (7.0 BAR)....74

PET-10 (10 LT.) (4.0 BAR).....76

## 4. PAINT SUPPLY SYSTEM HIGH PRESSURE EQUIPMENTS

### MULTI SPRAY GUNS

MSGS-200 EVO SERIES.....78

NOZZLE TIP SELECTION CHART.....80

### MULTI SPRAY PUMPS

ICON-M433N (36:1) ICON-M333N (32:1)...  
 .....82

ICON-M233N (ICON X-3 SERIES) (30:1)....90

MSU-113 N (13:1).....96

MSU-323 C (17:1) | MSU-323 CTX (17:1)

MSU-423 TX (23:1) MSU-433 TX (30:1)....98

## 5. PAINT SUPPLY SYSTEM HIGH PRESSURE AIRLESS EQUIPMENTS

### AIRLESS SPRAY GUN

AL96-S5 (AUTOMATIC).....104

AL-G7 TE WB AIRLESS SERIES.....105

FG-61 | FG-62 EXTRUSION SERIES.....106

REVERSIBLE & FLAT AIRLESS TIPS.....107

PRE-ATOMIZED REVERSIBLE &

FLAT AIRLESS TIPS.....107

### AIRLESS PUMPS

ICON-A433N (36:1) ICON-A333N (32:1)..108

ICON-A233N (ICON X-3 SERIES) (30:1)..116

ALS-333 C (25:1) | ALS-423 TX (23:1) ALS-

433 C (30:1) | ALS-433 TX(30:1).....122

ALS-653 N KE (45:1) | ALS-663 N KE (63:1)

.....128

FPP 655 EXTRUSION PUMP.....130

### ACCESSORIES FOR AIR PRESSURE PUMPS

DELIVERY PAINT FILTER UNITS.....132

AIR REGULATORS SET.....134

HIGH PRESSURE CONDUCTIVE HOSES..136

MEDIUM & HIGH PRESSURE HOSES....137

SUCTION HOSE SET WITH FILTER.....137

WHEEL CART SET.....138

DRAIN OPERATING VALVE SET.....138

PAINT FILTERS FOR AIRLESS & MULTI

SPRAY UNITS.....139

AMV | ACCV AUTOMATIC VALVES.....140

## 6. GENERAL ACCESSORIES

ANEST IWATA OVERALL.....144

VISIONSHIELD SERIES (GOGGLES &

GLASSES).....144

AIRFED 2020 FULL FACE MASK.....145

VIPER HALF FACE GUARD MASK.....145

MAGNETIC SUPPORTS & GUN

HOLDERS.....146

## 7. SUPERSEDED PRODUCT

### SPARE PARTS

W-200 SERIES.....148

W-101 SERIES.....149

MSG-2000B MULTI SPRAY.....150

E-MW50 & E-MW100 ELECTROSTATIC

SPRAY GUN.....151

MSG-2000X MULTI SPRAY.....152

MSU-B303 | MSU-B193 BELLOWS

PUMPS.....153

BELLOWS PUMPS.....154

MULTI SPRAY TIPS FOR SUPERSEDED

MULTI SPRAY GUN.....155

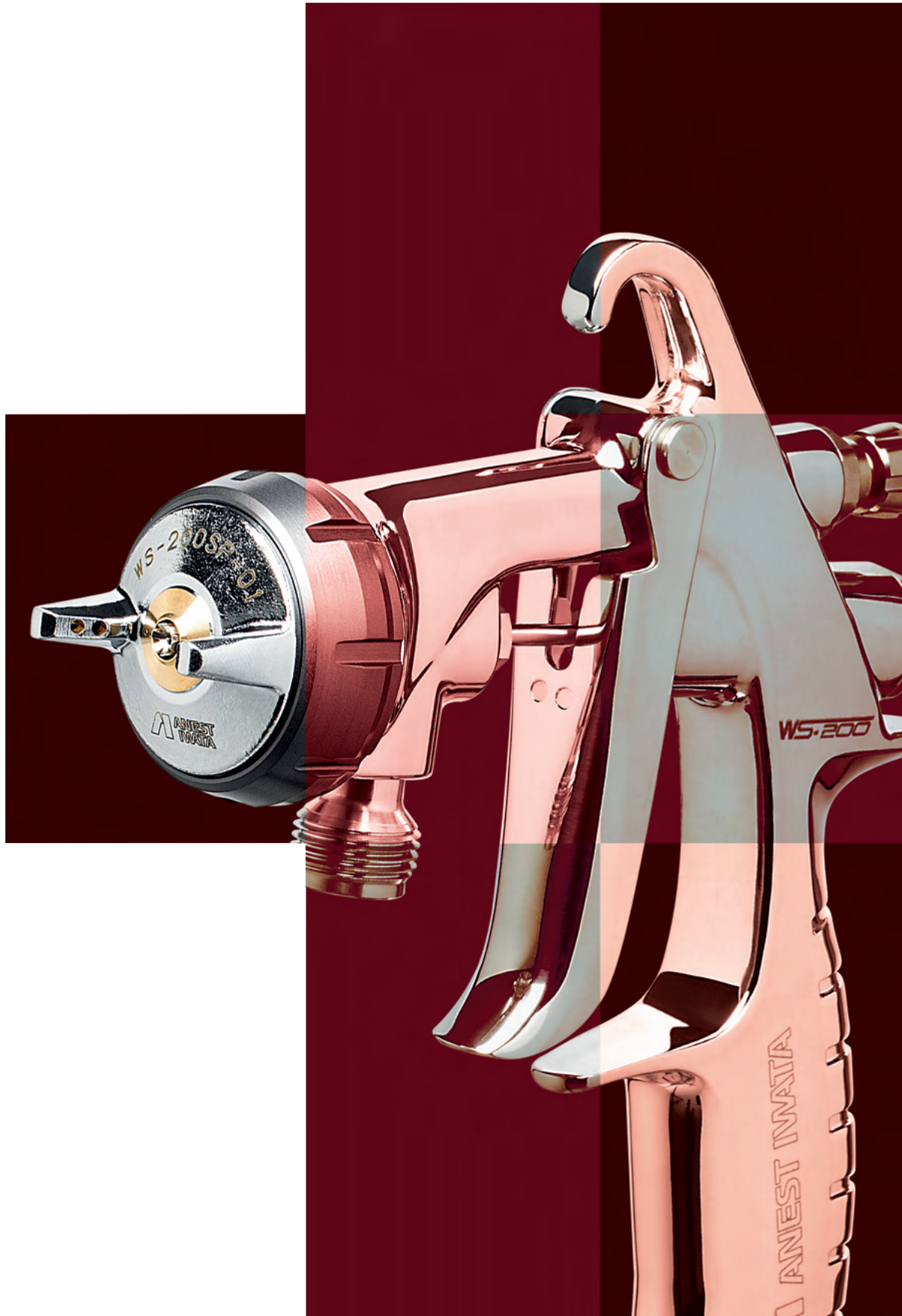
## 8. GENERAL INFORMATION

SALES CONDITIONS.....156



1

LOW PRESSURE  
&  
MANUAL  
SPRAY GUNS



# WS-200 SP - PREMIUM QUALITY

## FEATURES








						
Split Nozzle™ Technology	Designed by Pininfarina	High Transfer Efficiency	Lower Noise Level	Easy Maintenance	Ergonomic Design	Lightweight



Premium Quality New Generation Pressure Spray Gun, special for industrial applications, is equipped with the exclusive Split Nozzle™ Technology.

## TECHNICAL DATA

• Air Nipple: G1/4" • Fluid Nipple: G3/8"

 model name	 ø mm	 cap	 bar*	 ml/min	 NI/min	 mm (in)
WS-200SP-0801	0.8	WS-200SP-01	2.5	200	435	210
WS-200SP-1001	1.0			250		230
WS-200SP-1201	1.2			300		240
WS-200SP-1401	1.4			350		255
WS-200SP-1601	1.6			400		265
WS-200SP-1801	1.8					

\*Suggested gun inlet pressure during spraying.

## ORDER INFORMATION

	ø 0,8	ø 1,0	ø 1,2	ø 1,4	ø 1,6	ø 1,8	€
WS-200 SP SPRAY GUN	13000120	13000130	13000140	13000680	13000690	13000700	631,30
AIR CAP SET (WS-200 SP-01)	93001300						117,20
FLUID NOZZLE & NEEDLE SET	93007240	93007490	93007550	93007620	93007650	93007660	226,70

## SET OPTIONS & CONTENTS

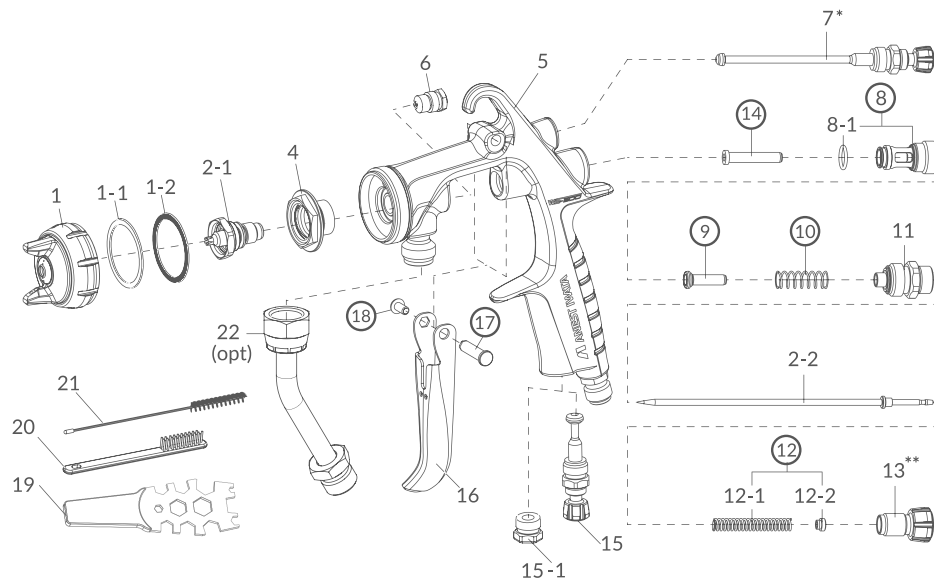
### CARTON BOX



WS-200 SP Pressure Spray Gun  
Universal Spanner  
Cleaning Brushes



# SPARE PARTS



**1-1**  
Air Cap  
Packing White  
Seals air cap to  
tightening nut

**1-2**  
Air Cap Packing Transparent  
Seals air cap to gun body  
(transparent seal must be visible  
from the inside of the air cap)

**TIPP**  
Change always  
both air cap  
packings  
as a couple

**13.1**  
Lock  
Fluid  
Adjustment\*

**7.1**  
Quick  
Fan Pattern  
Control\*

**7.2**  
Push Pull  
Pattern  
Adjustment Set\*

**7.3**  
Lock  
Pattern  
Adjustment\*

**19.1 Spanner**  
For Lock Pattern  
Adjustment and  
Lock Fluid  
Adjustment



REF.	CODE	DESCRIPTION	€	REF.	CODE	DESCRIPTION	€
1	see left	AIR CAP SET WS-200SP-01	117,20	15	93001801	AIR ADJUSTMENT SET	2,10
1-1	93505330	AIR CAP PACKING (WHITE)	5,50	15-1	93625370	PLUG	26,50
1-2	93001330	AIR CAP PACKING (TRANSPARENT)	5,60	16	93001820	TRIGGER SET	23,30
2-1 + 2-2	see left	FLUID NOZZLE + NEEDLE SET WS-200SP	226,70	17	93001870	TRIGGER STUD	8,80
2-2	93001380	SPECIAL NEEDLE with TIP in DELRIN $\phi$ 0.8; 1.0; 1.2	107,90	18	93001960	HEX. SOCKET BUTTON BOLT	2,90
2-2	93005700	SPECIAL NEEDLE with TIP in DELRIN $\phi$ 1.4; 1.6; 1.8	107,90	19	930171A0	UNIVERSAL SPANNER	8,80
4	93007750	BAFFLE RING SET (BAFFLE RING + PACKING)	154,10	19-1	93003340	SPANNER for LOCK PATTERN ADJUSTMENT and for LOCK FLUID ADJUSTMENT	16,30
6	93810620	NEEDLE PACKING SET	32,30	20	W2COM6163	BRUSHES (5 pcs.)	12,80
7	93001561	PATTERN ADJUSTMENT	44,80		93005690	REPAIRING KIT WS-200 includes: Needle packing set ref. 6; Air valve seat set ref.8; Air valve ref.9; Air valve spring ref.10; Fluid adj. guide set ref.11; Needle spring ref. 12; Air valve shaft ref.14; Trigger stud ref.17; Hex. socket button bolt ref.18	138,00
7-1	93003300	QUICK PATTERN ADJUSTMENT (opt.)*	174,30	21	W2COM6162	TWISTED BRUSHES $\phi$ 10 mm (5 pcs.)	15,20
7-2	93003270	PUSH PATTERN ADJUSTMENT (opt.)*	155,00	22	W2COM5052	FLUID TUBE 3/8" Stainless Steel (opt.)	57,70
7-3	93003240	LOCK PATTERN ADJUSTMENT (opt.)*	125,90	23	93001540	AIR NIPPLE G1/4"	10,00
8	93001640	AIR VALVE SEAT SET	35,00	<b>OPTION AND ACCESSORIES</b>			
8-1	93001680	O RING	4,10	<b>REF.</b>	<b>CODE</b>	<b>DESCRIPTION</b>	<b>€</b>
9	93001690	AIR VALVE	23,90		PJQ-03P	QUICK JOINT NIPPLE 3/8" IG	162,00
10	93001700	AIR VALVE SPRING	13,60		PJQ-03S	QUICK JOINT 3/8" AG	249,50
11	93001710	FLUID ADJUSTMENT GUIDE SET	41,40		14375800	"L" ROTATING AIR HOSE JOINT	25,00
12	93002820	NEEDLE SPRING SET	21,50		001004050	TWIN HOSE (Air & Fluid) 1/4"-1/4" mt. 5	89,60
12-1	93593530	NEEDLE SPRING	7,50		001004075	TWIN HOSE (Air & Fluid) 1/4"-1/4" mt. 7,5	109,80
12-2	93001760	NEEDLE SPRING PACKING	3,50		001004100	TWIN HOSE (Air & Fluid) 1/4"-1/4" mt. 10	134,10
13	93001780	FLUID ADJUSTMENT KNOB	16,90				
13-1	93003200	LOCK FLUID ADJUSTMENT (opt.)*	65,90				
14	93001790	AIR VALVE SHAFT	20,90				



# WS-200 FT - PREMIUM QUALITY

## FEATURES



Standard Technology

designed by  
*pininfarina*

Designed by Pininfarina



High Transfer Efficiency



Lower Noise Level



Easy Maintenance



Ergonomic Design



Lightweight

**WS-200**



Premium Quality New Generation Pressure Spray Gun, special for industrial applications, is equipped with traditional Flat Tip Nozzle (Round nozzle) delivering high quality results.

## TECHNICAL DATA

• Air Nipple: G1/4" • Fluid Nipple: G3/8"

model name	ø mm	cap	bar*	ml/min	NI/min	mm (in)	
WS-200FT-0801	0.8	WS-200FT-01	2.5	200	380	240	
WS-200FT-1001	1.0					210	
WS-200FT-1201	1.2					240	
WS-200FT-1401	1.4			300		475	215
WS-200FT-1601	1.6						250
WS-200FT-1801	1.8						255
WS-200FT-0802	0.8	WS-200FT-02	3.0	200	475		215
WS-200FT-1002	1.0						250
WS-200FT-1202	1.2						270
WS-200FT-1402	1.4			350		285	270
WS-200FT-1601	1.6						285
WS-200FT-1802	1.8						285

\*Suggested gun inlet pressure during spraying.

## ORDER INFORMATION

	ø 0,8	ø 1,0	ø 1,2	ø 1,4	ø 1,6	ø 1,8	€
WS-200FT-01 SPRAY GUN	13000150	13000160	13000170	13000600	13000610	13000620	487,30
WS-200FT-02 SPRAY GUN	13000180	13000190	13000200	13000630	13000640	13000650	487,30
AIR CAP SET (WS-20FT-01)	93002070						110,70
AIR CAP SET (WS-20FT-02)	93002190						110,70
FLUID NOZZLE & NEEDLE SET	93002180	93002150	93002130	93003420	93003480	93003500	113,60

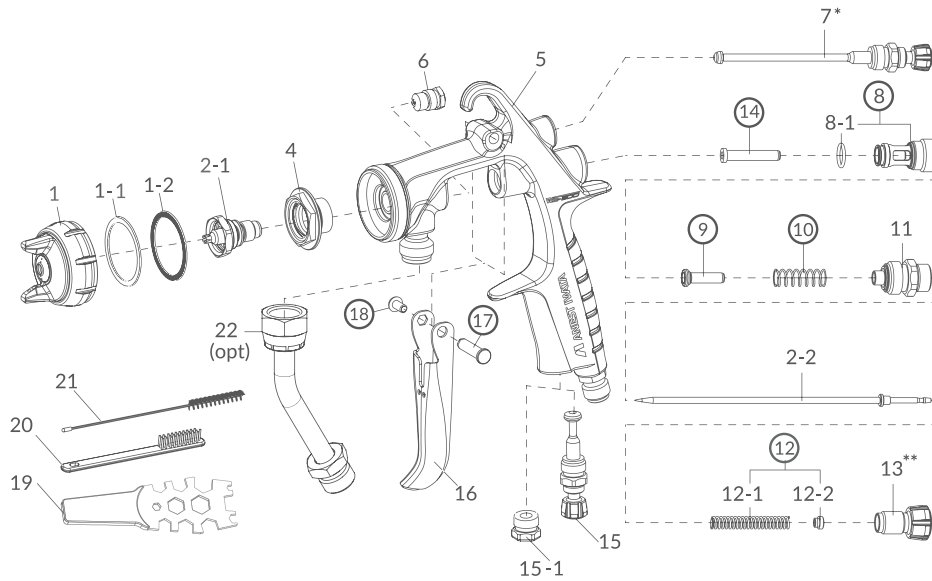
## SET OPTIONS & CONTENTS

### CARTON BOX



WS-200 FT Pressure Spray Gun  
Universal Spanner  
Cleaning Brushes

# SPARE PARTS



**1-1**  
Air Cap  
Packing White  
Seals air cap to  
tightening nut

**1-2**  
Air Cap Packing Transparent  
Seals air cap to gun body  
(transparent seal must be visible  
from the inside of the air cap)

**TIPP**  
Change always  
both air cap  
packings  
as a couple

**13.1**  
Lock  
Fluid  
Adjustment\*

**7.1**  
Quick  
Fan Pattern  
Control\*

**7.2**  
Push Pull  
Pattern  
Adjustment Set\*

**7.3**  
Lock  
Pattern  
Adjustment\*

**19.1 Spanner**  
For Lock Pattern  
Adjustment and  
Lock Fluid  
Adjustment



REF.	CODE	DESCRIPTION	€	REF.	CODE	DESCRIPTION	€
1	see left	AIR CAP SET WS-200FT-01 and WS-200FT-02	110,70	15	93001801	AIR ADJUSTMENT SET	37,90
1-1	93505330	AIR CAP PACKING (WHITE)	5,50	15-1	93625370	PLUG	26,50
1-2	93001330	AIR CAP PACKING (TRANSPARENT)	5,60	16	93001820	TRIGGER SET	23,30
2-1 + 2-2	see left	FLUID NOZZLE + NEEDLE SET WS-200FT	113,60	17	93001870	TRIGGER STUD	8,80
2-2	93001380	SPECIAL NEEDLE with TIP in DELRIN $\varnothing$ 0.8; 1.0; 1.2	107,90	18	93001960	HEX. SOCKET BUTTON BOLT	2,90
2-2	93005700	SPECIAL NEEDLE with TIP in DELRIN $\varnothing$ 1.4; 1.6; 1.8	107,90	19	930171A0	UNIVERSAL SPANNER	8,80
4	93007750	BAFFLE RING SET (BAFFLE RING + PACKING)	154,10	19-1	93003340	SPANNER for LOCK PATTERN ADJUSTMENT and for LOCK FLUID ADJUSTMENT	16,30
6	93810620	NEEDLE PACKING SET	5,60	20	W2COM6163	BRUSHES (5 pcs.)	12,80
7	93001561	PATTERN ADJUSTMENT	44,80			REPAIRING KIT WS-200 includes: Needle packing set ref. 6; Air valve seat set ref.8; Air valve ref.9; Air valve spring ref.10; Fluid adj. guide set ref.11; Needle spring ref. 12; Air valve shaft ref.14; Trigger stud ref.17; Hex. socket button bolt ref.18	138,00
7-1	93003300	QUICK PATTERN ADJUSTMENT (opt.)*	174,30	21	W2COM6162	TWISTED BRUSHES $\varnothing$ 10 mm (5 pcs.)	15,20
7-2	93003270	PUSH PATTERN ADJUSTMENT (opt.)*	155,00	22	W2COM5052	FLUID TUBE 3/8" Stainless Steel (opt.)	57,70
7-3	93003240	LOCK PATTERN ADJUSTMENT (opt.)*	125,90	23	93001540	AIR NIPPLE G1/4"	10,00
8	93001640	AIR VALVE SEAT SET	35,00	<b>OPTION AND ACCESSORIES</b>			
8-1	93001680	O RING	4,10	<b>REF.</b>	<b>CODE</b>	<b>DESCRIPTION</b>	<b>€</b>
9	93001690	AIR VALVE	23,90		PJQ-03P	QUICK JOINT NIPPLE 3/8" IG	162,00
10	93001700	AIR VALVE SPRING	13,60		PJQ-03S	QUICK JOINT 3/8" AG	249,50
11	93001710	FLUID ADJUSTMENT GUIDE SET	41,40		14375800	"L" ROTATING AIR HOSE JOINT	25,00
12	93002820	NEEDLE SPRING SET	21,50		001004050	TWIN HOSE (Air & Fluid) 1/4"-1/4" mt. 5	89,60
12-1	93593530	NEEDLE SPRING	7,50		001004075	TWIN HOSE (Air & Fluid) 1/4"-1/4" mt. 7,5	109,80
12-2	93001760	NEEDLE SPRING PACKING	3,50		001004100	TWIN HOSE (Air & Fluid) 1/4"-1/4" mt. 10	134,10
13	93001780	FLUID ADJUSTMENT KNOB	16,90				
13-1	93003200	LOCK FLUID ADJUSTMENT (opt.)*	65,90				
14	93001790	AIR VALVE SHAFT	20,90				



# W-200 INTEGRA SP - HIGH QUALITY

## FEATURES

					
Split Nozzle™ Technology	High Transfer Efficiency	Lower Noise Level	Easy Maintenance	Ergonomic Design	Lightweight








**W-200 INTEGRA**



High Quality New Generation Pressure Spray Gun, born from the renewed design of previous W-200 version, it's the result of a perfect harmony between experience and technology, equipped with the exclusive Split Nozzle™ Technology is special for industrial applications.

## TECHNICAL DATA

• Air Nipple: G1/4" • Fluid Nipple: G3/8"

 model name	 ø mm	 cap	 bar*	 ml/min	 NI/min	 mm (in)
W-200SP-08WB1P	0.8	WB1	2.0 ~ 2.5	200	425 ~ 531	360
W-200SP-10WB1P	1.0			250		
W-200SP-12WB1P	1.2			300		
W-200SP-14WB1P	1.4			350		
W-200SP-08WBSP	0.8	WBS	2.0 ~ 2.5	200	463 ~ 578	310
W-200SP-10WBSP	1.0			250		
W-200SP-12WBSP	1.2			300		
W-200SP-14WBSP	1.4			350		

\*Suggested gun inlet pressure during spraying.

## ORDER INFORMATION

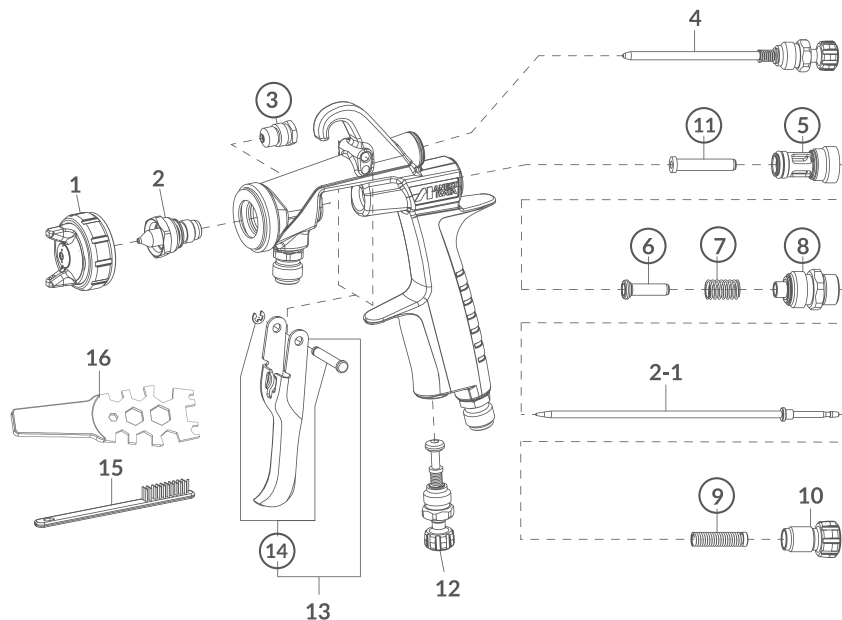
	ø 0,8	ø 1,0	ø 1,2	ø 1,4	€
W-200 INTEGRA SPRAY GUN - WB1	130451A0	130452A0	130453A0	130454A0	550,40
W-200 INTEGRA SPRAY GUN - WBS	130455A0	130456A0	130457A0	130458A0	550,40
<b>AIR CAP SET - WB1</b>	93017310				129,50
<b>AIR CAP SET - WBS</b>	93017430				129,50
<b>FLUID NOZZLE &amp; NEEDLE SET</b>	93012030	93012020	93012010	93017330	217,00

## SET OPTIONS & CONTENTS

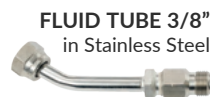
### CARTON BOX



W-200 INTEGRA SP Pressure Spray Gun  
Universal Spanner  
Cleaning Brushes



## OPTIONS & ACCESSORIES:



REF.	CODE	DESCRIPTION	€
1	see left	AIR CAP SET (WB1 - WBS1)	129,50
1-1	93017700	CAP COVER PACKING SET	11,10
1-2	93016870	AIR CAP RING Blue	48,60
2 + 2-1	see left	FLUID NOZZLE + NEEDLE SET	217,00
3	93810620	NEEDLE PACKING SET	32,30
4	93011630	PATTERN ADJUSTMENT	47,80
5	93001640	AIR VALVE SEAT SET	35,00
6	93001690	AIR VALVE	23,90
7	93001700	AIR VALVE SPRING	13,60
8	93012630	FLUID ADJUSTMENT GUIDE SET	38,80
9	93002820	NEEDLE SPRING SET	21,50
10	93012650	FLUID ADJUSTMENT KNOB	15,50
11	93001790	AIR VALVE SHAFT	20,90
12	93012660	AIR ADJUSTMENT SET	39,60
13	93014500	TRIGGER SET	27,40
14	93013810	TRIGGER STUD	7,80

## OPTION AND ACCESSORIES

CODE	DESCRIPTION	REF.	€
W2COM6163	BRUSHES (5 PCS/1PK)	15	12,80
930171A0	UNIVERSAL SPANNER	16	8,80
930356A0	REPAIRING KIT includes: needle packing set (3), air valve seat set (5), air valve (6), air valve spring (7), fluid adj. guide set (8), needle spring set (9), air valve shaft (11), trigger stud set (14).		155,00
14375800	"L" ROTATING AIR HOSE JOINT		25,00
W-200-X1	QUICK FAN PATTERN ADJUSTMENT		174,30
93895611	PUSH-PULL PATTERN ADJUSTMENT SET		174,30
93605600	LOCK FLUID ADJUSTMENT		54,80
03841601	LOCK PATTERN ADJUSTMENT		116,00
93280082	SPANNER for Lock Fluid Adj. & Lock Pattern Adj.		6,30
W2COM5052	FLUID TUBE 3/8" Stainless Steel		57,70
001004050	TWIN HOSE (Air and Fluid) 1/4"-1/4" - 5 m		89,60
001004075	TWIN HOSE (Air and Fluid) 1/4"-1/4" - 7.5 m		109,80
001004100	TWIN HOSE (Air and Fluid) 1/4"-1/4" - 10 m		134,10



# W-200 INTEGRA FT - HIGH QUALITY

## FEATURES



Standard Technology



High Transfer Efficiency



Lower Noise Level



Easy Maintenance



Ergonomic Design



Lightweight

**W-200 INTEGRA**



High Quality New Generation Pressure Spray Gun, born from the renewed design of previous W-200 version, it's the result of a perfect harmony between experience and technology, equipped with traditional Flat Tip Nozzle, is special for industrial applications.

## TECHNICAL DATA

• Air Nipple: G1/4" • Fluid Nipple: G3/8"

model name	ø mm	cap	bar*	ml/min	NI/min	mm (in)
W-200FT-08LV2P	0.8	LV2	2.0 ~ 2.5	70	240 ~ 300	140
W-200FT-10LV2P	1.0			110		170
W-200FT-12LV2P	1.2			150		220
W-200FT-15LV2P	1.5			250		270
W-200FT-16LV2P	1.6			300		280
W-200FT-18LV2P	1.8			400		290
W-200FT-08G2P	0.8	G2P	3.0 ~ 3.5	500	500 ~ 583	400
W-200FT-10G2P	1.0					
W-200FT-12G2P	1.2					

\*Suggested gun inlet pressure during spraying.

## ORDER INFORMATION

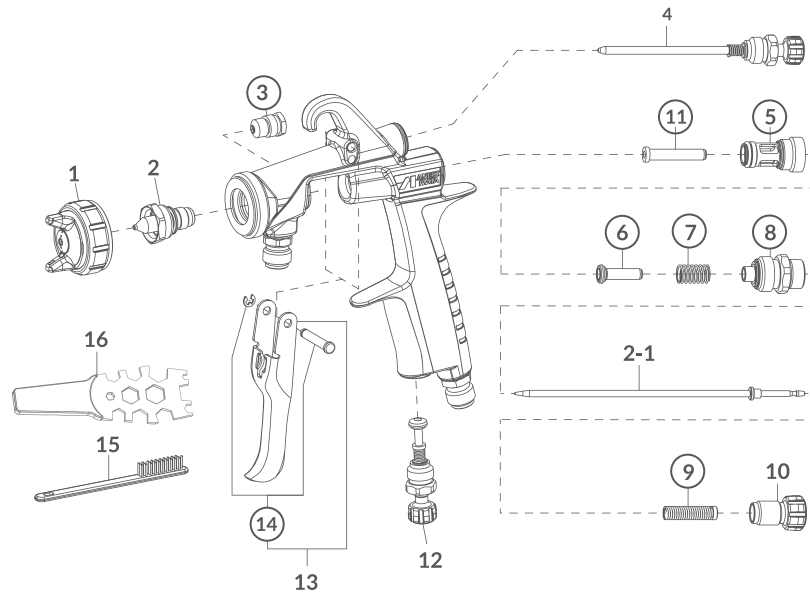
	ø 0,8	ø 1,0	ø 1,2	ø 1,5	ø 1,6	ø 1,8	€
W-200 INTEGRA SPRAY GUN - LV2	130459A0	130460A0	130461A0	130463A0	130506A0	130507A0	394,30
W-200 INTEGRA SPRAY GUN - G2P	130464A0	130465A0	130466A0	-	-	-	404,20
AIR CAP SET - LV2	93017360						
AIR CAP SET - G2P	93011670			-	-	-	116,60
FLUID NOZZLE & NEEDLE SET	93017270	93017280	93011570	93011680	93018270	93011730	111,60

## SET OPTIONS & CONTENTS

### CARTON BOX



W-200 INTEGRA FT Pressure Spray Gun  
Universal Spanner  
Cleaning Brushes



## OPTIONS & ACCESSORIES:



REF.	CODE	DESCRIPTION	€
1	see left	AIR CAP SET (LV2)	110,10
1	see left	AIR CAP SET (G2P)	116,60
1-1	93017700	CAP COVER PACKING SET	11,10
1-2	93011560	AIR CAP RING Silver	43,80
2 + 2-1	see left	FLUID NOZZLE + NEEDLE SET	111,60
3	93810620	NEEDLE PACKING SET	32,30
4	93011630	PATTERN ADJUSTMENT	47,80
5	93001640	AIR VALVE SEAT SET	35,00
6	93001690	AIR VALVE	23,90
7	93001700	AIR VALVE SPRING	13,60
8	93012630	FLUID ADJUSTMENT GUIDE SET	38,80
9	93002820	NEEDLE SPRING SET	21,50
10	93012650	FLUID ADJUSTMENT KNOB	15,50
11	93001790	AIR VALVE SHAFT	20,90
12	93012660	AIR ADJUSTMENT SET	39,60
13	93014500	TRIGGER SET	27,40
14	93013810	TRIGGER STUD	7,80

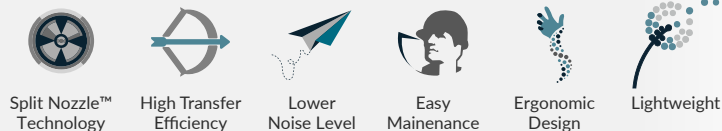
## OPTION AND ACCESSORIES

CODE	DESCRIPTION	REF.	€
W2COM6163	BRUSHES (5 PCS/1PK)	15	12,80
930171A0	UNIVERSAL SPANNER	16	8,80
930356A0	REPAIRING KIT includes: needle packing set (3), air valve seat set (5), air valve (6), air valve spring (7), fluid adj. guide set (8), needle spring set (9), air valve shaft (11), trigger stud set (14).		155,00
14375800	"L" ROTATING AIR HOSE JOINT		25,00
W-200-X1	QUICK FAN PATTERN ADJUSTMENT		174,30
93895611	PUSH-PULL PATTERN ADJ. SET		174,30
93605600	LOCK FLUID ADJUSTMENT		54,80
03841601	LOCK PATTERN ADJUSTMENT		116,00
93280082	SPANNER for Lock Fluid Adj. & Lock Pattern Adj.		6,30
W2COM5052	FLUID TUBE 3/8" Stainless Steel		57,70
001004050	TWIN HOSE (Air and Fluid) 1/4"-1/4" - 5 m		89,60
001004075	TWIN HOSE (Air and Fluid) 1/4"-1/4" - 7.5 m		109,80
001004100	TWIN HOSE (Air and Fluid) 1/4"-1/4" - 10 m		134,10



# W-200 INTEGRA SP - HIGH QUALITY

## FEATURES



**W-200** INTEGRA

High Quality New Generation Suction Spray Gun, born from the renewed design of previous W-200 version, it's the result of a perfect harmony between experience and technology, equipped with the exclusive Split Nozzle™ Technology is special for industrial applications.

## TECHNICAL DATA

• Air Nipple: G1/4" • Fluid Nipple: G3/8"

model name	ø mm	cap	bar*	ml/min	NI/min	mm (in)
W-200SP-16WB2S	1.6	WB2	2.0 ~ 2.5	170	480	315
W-200SP-18WB2S	1.8			200	~ 538	330

\*Suggested gun inlet pressure during spraying.



## ORDER INFORMATION

	ø 1,6	ø 1,8	€
W-200 INTEGRA - Spray Gun Only	130471A0	130472A0	540,50
W-200 INTEGRA - With PCL-10B3 Cup	130478A0	130479A0	604,70
W-200 INTEGRA - With PC-12 Cup	130485A0	130486A0	592,50
<b>AIR CAP SET - WB2</b>	93017460		129,50
<b>FLUID NOZZLE &amp; NEEDLE SET</b>	93017480	93017490	217,00

## SET OPTIONS & CONTENTS

### CARTON BOX - A



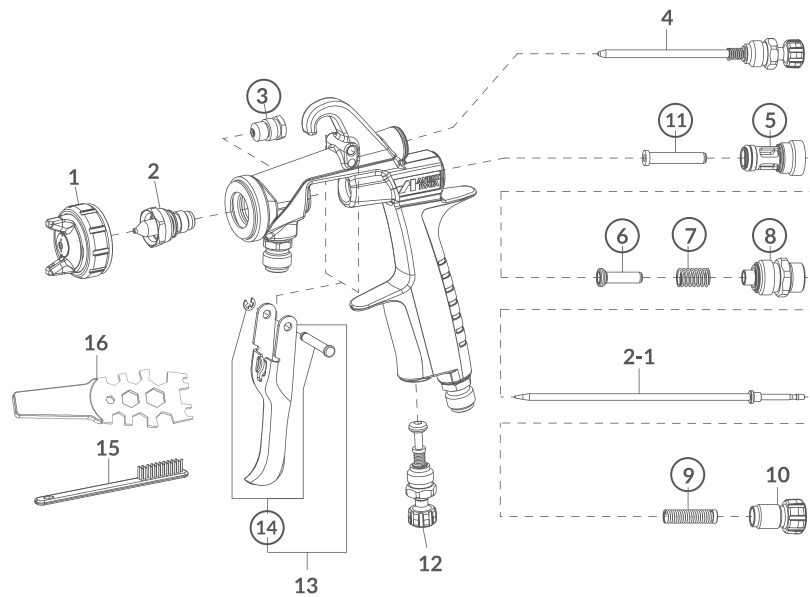
W-200 INTEGRA SP  
Suction Spray Gun  
PCL-10B3 CUP - 1L

### CARTON BOX - B



W-200 INTEGRA SP  
Suction Spray Gun  
PC-12 - 1L





## OPTIONS & ACCESSORIES:

**LOCK PATTERN ADJUSTMENT**



**LOCK FLUID ADJUSTMENT**



**FLUID TUBE 3/8" in Stainless Steel**



**QUICK FAN PATTERN ADJUSTMENT**



**SPANNER for Lock Fluid Adjustment & Lock Pattern Adjustment**



**"L" ROTATING AIR HOSE JOINT**



**PUSH-PULL PATTERN ADJUSTMENT SET**



REF.	CODE	DESCRIPTION	€
1	see left	AIR CAP SET (WB2)	129,50
1-1	93017700	CAP COVER PACKING SET	11,10
1-2	93016870	AIR CAP RING Blue	48,60
2 + 2-1	see left	FLUID NOZZLE + NEEDLE SET	217,00
3	93810620	NEEDLE PACKING SET	32,30
4	93011630	PATTERN ADJUSTMENT	47,80
5	93001640	AIR VALVE SEAT SET	35,00
6	93001690	AIR VALVE	23,90
7	93001700	AIR VALVE SPRING	13,60
8	93012630	FLUID ADJUSTMENT GUIDE SET	38,80
9	93002820	NEEDLE SPRING SET	21,50
10	93012650	FLUID ADJUSTMENT KNOB	15,50
11	93001790	AIR VALVE SHAFT	20,90
12	93012660	AIR ADJUSTMENT SET	39,60
13	93014500	TRIGGER SET	27,40
14	93013810	TRIGGER STUD	7,80

## OPTION AND ACCESSORIES

CODE	DESCRIPTION	REF.	€
W2COM6163	BRUSHES (5 PCS/1PK)	15	12,80
930171A0	UNIVERSAL SPANNER	16	8,80
14018621	PCL-10 B3 LEVER LOCK SUCTION CUP 1 lt.		79,20
14018200	PC 12 SUCTION CUP 1 lt.		97,50
930356A0	REPAIRING KIT includes: needle packing set (3), air valve seat set (5), air valve (6), air valve spring (7), fluid adj. guide set (8), needle spring set (9), air valve shaft (11), trigger stud set (14).		155,00
14375800	"L" ROTATING AIR HOSE JOINT		25,00
W-200-X1	QUICK FAN PATTERN ADJUSTMENT		174,30
93895611	PUSH-PULL PATTERN ADJ. SET		174,30
93605600	LOCK FLUID ADJUSTMENT		54,80
03841601	LOCK PATTERN ADJUSTMENT		116,00
93280082	SPANNER for Lock Fluid Adj. & Lock Pattern Adj.		6,30
001004050	TWIN HOSE (Air and Fluid) 1/4"-1/4" - 5 m		89,60
001004075	TWIN HOSE (Air and Fluid) 1/4"-1/4" - 7.5 m		109,80
001004100	TWIN HOSE (Air and Fluid) 1/4"-1/4" - 10 m		134,10



# W-200 INTEGRA FT - HIGH QUALITY

## FEATURES



Standard Technology



High Transfer Efficiency



Lower Noise Level



Easy Maintenance



Ergonomic Design



Lightweight

**W-200 INTEGRA**



High Quality New Generation Suction Spray Gun, born from the renewed design of previous W-200 version, it's the result of a perfect harmony between experience and technology, equipped with traditional Flat Tip Nozzle, is special for industrial applications.

## TECHNICAL DATA

• Air Nipple: G1/4" • Fluid Nipple: G3/8"

model name	ø mm	cap	bar*	ml/min	NI/min	mm (in)
W-200FT-14S	1.4	LV2	2.0 ~ 2.5	240	240 ~ 300	260
W-200FT-15S	1.5	K2			220 ~ 275	290
W-200FT-18S	1.8			R2	290	340
W-200FT-20S	2.0	W1		350	240 ~ 300	290
W-200FT-25S	2.5			440	280	

\*Suggested gun inlet pressure during spraying.

## ORDER INFORMATION

	ø 1,4	ø 1,5	ø 1,8	ø 2,0	ø 2,5	€
W-200 INTEGRA - Spray Gun Only	130473A0	130474A0	130475A0	130476A0	130477A0	394,30
W-200 INTEGRA - With PCL-10B3 Cup	130480A0	130481A0	130482A0	130483A0	130484A0	459,60
W-200 INTEGRA - With PC-12 Cup	130487A0	130488A0	130489A0	130490A0	130491A0	446,30
<b>AIR CAP SET</b>	<b>LV2</b> 93017360	<b>K2</b> 93011710		<b>R2</b> 93011790	<b>W1</b> 93011820	<b>110,10</b>
<b>FLUID NOZZLE &amp; NEEDLE SET</b>	93017370	93011680	93011730	93011740	93011810	<b>111,60</b>

## SET OPTIONS & CONTENTS

### CARTON BOX - A

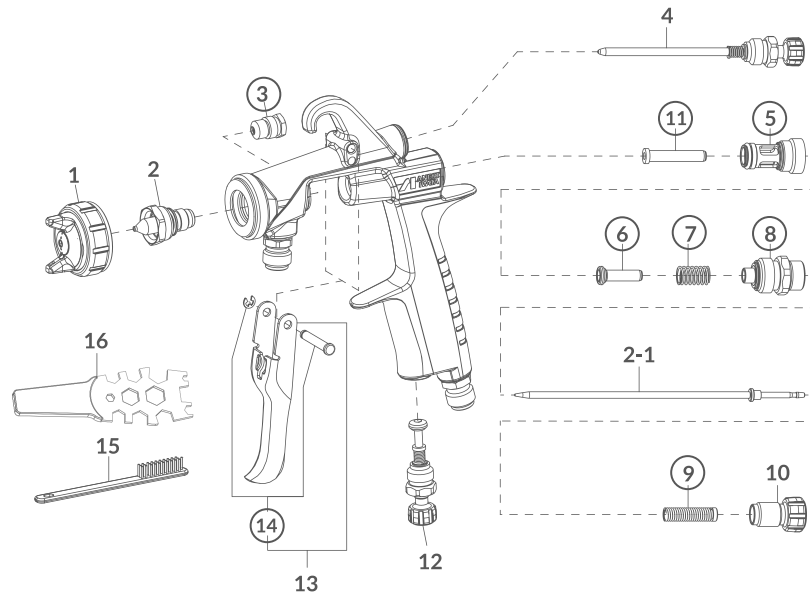


W-200 INTEGRA FT  
Suction Spray Gun  
PCL-10B3 CUP - 1L

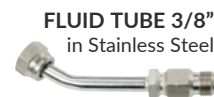
### CARTON BOX - B



W-200 INTEGRA FT  
Suction Spray Gun  
PC-12 - 1L



## OPTIONS & ACCESSORIES:



REF.	CODE	DESCRIPTION	€
1	see left	AIR CAP SET (LV2 - K2 - R2 - W1)	110,10
1-1	93017700	CAP COVER PACKING SET	11,10
1-2	93011560	AIR CAP RING Silver	43,80
2 + 2-1	see left	FLUID NOZZLE + NEEDLE SET	111,60
3	93810620	NEEDLE PACKING SET	32,30
4	93011630	PATTERN ADJUSTMENT	47,80
5	93001640	AIR VALVE SEAT SET	35,00
6	93001690	AIR VALVE	23,90
7	93001700	AIR VALVE SPRING	13,60
8	93012630	FLUID ADJUSTMENT GUIDE SET	38,80
9	93002820	NEEDLE SPRING SET	21,50
10	93012650	FLUID ADJUSTMENT KNOB	15,50
11	93001790	AIR VALVE SHAFT	20,90
12	93012660	AIR ADJUSTMENT SET	39,60
13	93014500	TRIGGER SET	27,40
14	93013810	TRIGGER STUD	7,80

## OPTION AND ACCESSORIES

CODE	DESCRIPTION	REF.	€
W2COM6163	BRUSHES (5 PCS/1PK)	15	12,80
930171A0	UNIVERSAL SPANNER	16	8,80
14018621	PCL-10 B3 LEVER LOCK SUCTION CUP 1 lt.		79,20
14018200	PC 12 SUCTION CUP 1 lt.		97,50
930356A0	REPAIRING KIT includes: needle packing set (3), air valve seat set (5), air valve (6), air valve spring (7), fluid adj. guide set (8), needle spring set (9), air valve shaft (11), trigger stud set (14).		155,00
14375800	"L" ROTATING AIR HOSE JOINT		25,00
W-200-X1	QUICK FAN PATTERN ADJUSTMENT		174,30
93895611	PUSH-PULL PATTERN ADJ. SET		174,30
93605600	LOCK FLUID ADJUSTMENT		54,80
03841601	LOCK PATTERN ADJUSTMENT		116,00
93280082	SPANNER for Lock Fluid Adj. & Lock Pattern Adj.		6,30
001004050	TWIN HOSE (Air and Fluid) 1/4"-1/4" - 5 m		89,60
001004075	TWIN HOSE (Air and Fluid) 1/4"-1/4" - 7.5 m		109,80
001004100	TWIN HOSE (Air and Fluid) 1/4"-1/4" - 10 m		134,10



# W-200 ZP2 - For Abrasive Paints

## FEATURES



Standard Technology



High Transfer Efficiency



Lower Noise Level



Easy Maintenance



Ergonomic Design



Lightweight



Our new Professional Spray Gun serie for abrasive paint applications as ceramic glaze, with fully redesigned gun body.

## TECHNICAL DATA

• Air Nipple: G1/4" • Fluid Nipple: G3/8"

model name	ø mm	cap	bar*	ml/min	NI/min	mm (in)
W-200 ZP2 H-15**	1.5	ZP2	3.5	500	760	370
W-200 ZP2 H-20	2.0					
W-200 ZP2 H-25	2.5					

\*Suggested gun inlet pressure during spraying. \*\*Available only upon request.

## ORDER INFORMATION

	ø 1,5	ø 2,0	ø 2,5	€
W-200 ZP2 - Pressure Spray Gun	ZP2-H15	ZP2-H20	ZP2-H25	X
AIR CAP SET - ZP2	93018540			X
FLUID NOZZLE & NEEDLE SET	93013590	93018560	93018620	X

## SET OPTIONS & CONTENTS

### CARTON BOX

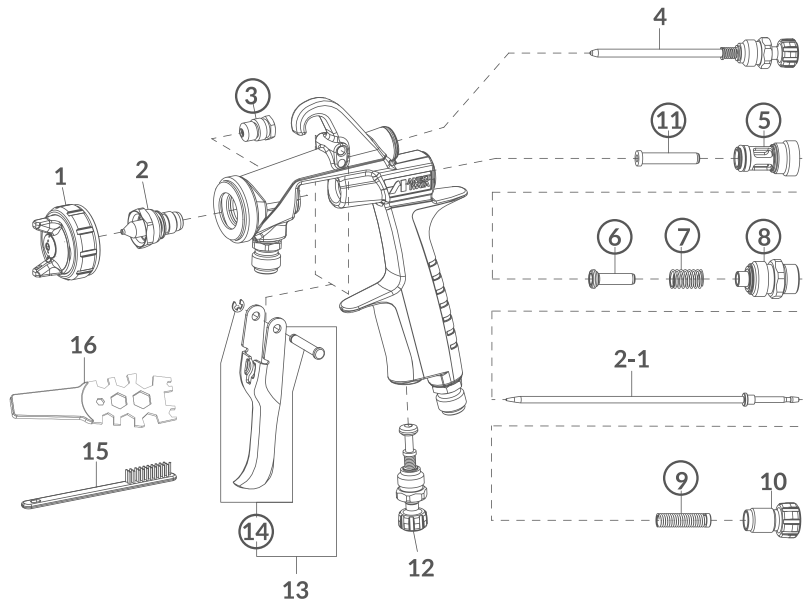


W-200 ZP2 Pressure Spray Gun  
Universal Spanner  
Cleaning Brushes

# SPARE PARTS



W-200 ZP2



## OPTIONS & ACCESSORIES:

LOCK FLUID ADJUSTMENT



QUICK FAN PATTERN ADJUSTMENT



SPANNER for Lock Fluid Adjustment & Lock Pattern Adjustment



"L" ROTATING AIR HOSE JOINT



LOCK PATTERN ADJUSTMENT



PUSH-PULL PATTERN ADJUSTMENT SET



FLUID TUBE 3/8" in Stainless Steel



REF.	CODE	DESCRIPTION	€	CODE	DESCRIPTION	REF.	€
1	see left	AIR CAP SET	X	W2COM6163	BRUSHES (5 PCS/1PK)	15	12,80
2 + 2-1	see left	FLUID NOZZLE + NEEDLE SET	X	930171A0	UNIVERSAL SPANNER	16	8,80
3	93810620	NEEDLE PACKING SET	32,30	930356A0	REPAIRING KIT includes: needle packing set (3), air valve seat set (5), air valve (6), air valve spring (7), fluid adj. guide set (8), needle spring set (9), air valve shaft (11), trigger stud set (14).		155,00
4	93011630	PATTERN ADJUSTMENT	47,80	14375800	"L" ROTATING AIR HOSE JOINT		25,00
5	93001640	AIR VALVE SEAT SET	35,00	W-200-X1	QUICK FAN PATTERN CONTROL		174,30
6	93001690	AIR VALVE	23,90	93895611	PUSH-PULL PATTERN ADJ.		174,30
7	93001700	AIR VALVE SPRING	13,60	93605600	LOCK FLUID ADJUSTMENT		54,80
8	93012630	FLUID ADJUSTMENT GUIDE SET	38,30	03841601	LOCK PATTERN ADJUSTMENT		116,00
9	93002820	NEEDLE SPRING SET	21,50	93280082	SPANNER for Lock Fluid Adj. & Lock Pattern Adj.		6,30
10	93012650	FLUID ADJUSTMENT KNOB	15,50	W2COM5052	FLUID TUBE 3/8" Stainless Steel		57,70
11	93001790	AIR VALVE SHAFT	20,90	1004050	TWIN HOSE (Air & Fluid) 1/4"-1/4" - 5 m		89,60
12	93012660	AIR ADJUSTMENT SET	39,60	1004075	TWIN HOSE (Air & Fluid) 1/4"-1/4" - 7.5 m		109,80
13	93014500	TRIGGER SET	27,40	1004100	TWIN HOSE (Air & W Fluid) 1/4"-1/4" - 10 m		134,10
14	93013810	TRIGGER STUD SET	7,80				



# WIDER1 CHROME PRESSURE - HIGH QUALITY

## FEATURES



Standard Technology



High Transfer Efficiency



Lower Noise Level



Easy Maintenance



Ergonomic Design



Lightweight



Quality and experience are key points for the development of this new proposal for industrial coating applications. Suitable for different applications and evolving paints, this pressure model has been developed for best finish in the large surface.

## TECHNICAL DATA

• Air Nipple: G1/4" • Fluid Nipple: G1/4"

model name	ø mm	cap	bar*	ml/min	NI/min	mm (in)
WIDER1-08E2P	0.8	E2P	3.0	150	270	190
WIDER1-10E2P	1.0			200		220
WIDER1-13E2P	1.3		2.5	250	220	210
WIDER1-15E2P	1.5					240

\*Suggested gun inlet pressure during spraying.

## ORDER INFORMATION

	ø 0,8	ø 1,0	ø 1,3	ø 1,5	€
WIDER1 CHROME Pressure Spray Gun	WIDER1-08E2P-M	WIDER1-10E2P-M	WIDER1-13E2P-M	WIDER1-15E2P-M	361,00
AIR CAP SET - E2P	93012200				103,50
FLUID NOZZLE & NEEDLE SET	93012390	93012430	93012350	93012460	100,00

## SET OPTIONS & CONTENTS

### CARTON BOX

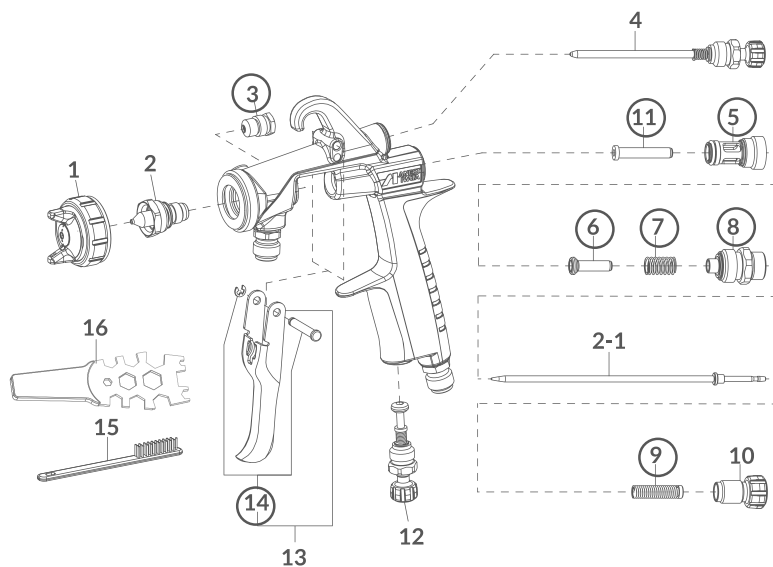


WIDER1 CHROME Pressure Spray Gun  
Universal Spanner  
Cleaning Brushes

# SPARE PARTS



WIDER1 CHROME



REF.	CODE	DESCRIPTION	€	CODE	DESCRIPTION	REF.	€
1	see left	AIR CAP SET E2P	103,50	W2COM6163	BRUSHES (5 PCS/1PK)	15	12,80
1-1	93012170	AIR CAP COVER	48,00	930171A0	UNIVERSAL SPANNER	16	8,80
1-2	93017680	AIR CAP PACKING	10,90				
2 + 2-1	see left	FLUID NOZZLE + NEEDLE SET	100,00	930355A0	REPAIRING KIT includes: needle packing set (3), air valve seat set (5), air valve (6), air valve spring (7), fluid adj. guide set (8), needle spring set (9), air valve shaft (11), trigger stud set (14).		156,30
3	93765610	NEEDLE PACKING SET	20,80				
4	93012580	PATTERN ADJUSTMENT	43,50	001004050	TWIN HOSE (Air and Fluid) 1/4"-1/4" - 5 m		89,60
5	93001640	AIR VALVE SEAT SET	33,80	001004075	TWIN HOSE (Air and Fluid) 1/4"-1/4" - 7.5 m		109,80
6	93001690	AIR VALVE	35,00	001004100	TWIN HOSE (Air and Fluid) 1/4"-1/4" - 10 m		134,10
7	93001700	AIR VALVE SPRING	23,90				
8	93012630	FLUID ADJUSTMENT GUIDE SET	13,60				
9	93002820	NEEDLE SPRING SET	21,50				
10	93012650	FLUID ADJUSTMENT KNOB	21,50				
11	93001790	AIR VALVE SHAFT	20,90				
12	93012660	AIR ADJUSTMENT SET	20,90				
13	93013800	TRIGGER SET	23,50				
14	93013810	TRIGGER STUD	7,80				



# WIDER1 CHROME SIDE GRAVITY - HIGH QUALITY

## FEATURES



Standard Technology



High Transfer Efficiency



Lower Noise Level



Easy Maintenance



Ergonomic Design



Lightweight

Quality and experience are key points for the development of this new proposal for industrial coating applications. Suitable for different applications and evolving paints, this gravity model has been developed for the maximum attention to the details.



## TECHNICAL DATA

• Air Nipple: G1/4" • Fluid Nipple: G1/4"

model name	ø mm	cap	bar*	ml/min	NI/min	mm (in)
WIDER1-10E1P	1.0	E1	2.5	95	75	130
WIDER1-13H2G	1.3	H2		160	225	275
WIDER1-15H2G	1.5			190		190

\*Suggested gun inlet pressure during spraying.

## ORDER INFORMATION

	ø 1,0	ø 1,3	ø 1,5	€
WIDER1 CHROME Gravity Spray Gun - Only gun	WIDER1-10E1G-M	WIDER1-13H2G-M	WIDER1-15H2G-M	361,00
WIDER1 CHROME Gravity Spray Gun with PC 4S Cup 400ml	130155A0	130156A0	130157A0	414,20
WIDER1 CHROME Gravity Spray Gun with PC 52 Cup 200ml	130158A0	130159A0	130160A0	387,70
<b>AIR CAP SET - E1</b>	93012230	-	-	103,50
<b>AIR CAP SET - H2</b>	-	93012150		93,40
<b>FLUID NOZZLE &amp; NEEDLE SET</b>	93012430	93012350	93012460	100,00

## SET OPTIONS & CONTENTS

### CARTON BOX



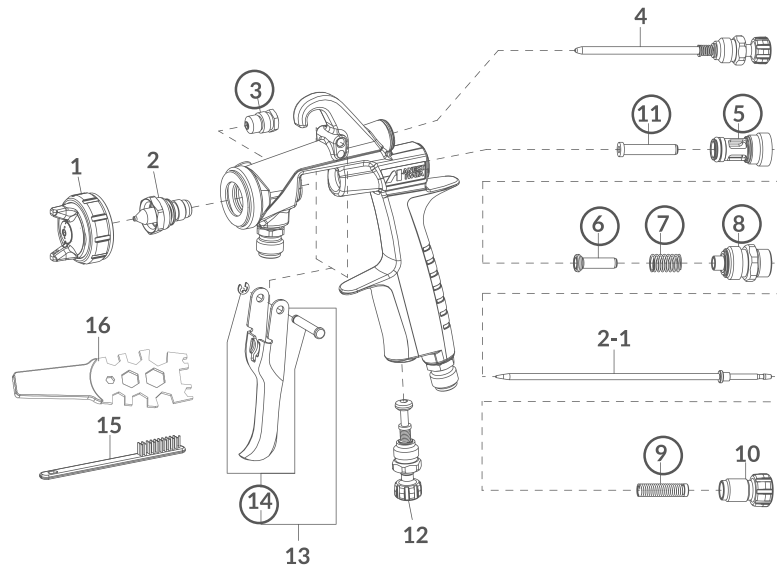
WIDER1 CHROME Side Gravity Spray Gun  
 PC 52 AG Side Gravity Cup 200ml or PC 4S Side Gravity Cup 400ml  
 Universal Spanner  
 Cleaning Brushes



# SPARE PARTS



WIDER1 CHROME



REF.	CODE	DESCRIPTION	€	CODE	DESCRIPTION	REF.	€
1	see left	AIR CAP SET E2P	103,50	W2COM6163	BRUSHES (5 PCS/1PK)	15	12,80
1	see left	AIR CAP SET H2	93,40	930171A0	UNIVERSAL SPANNER	16	8,80
1-1	93012170	AIR CAP COVER	48,00	14018186F	PC 52 AG SIDE GRAVITY CUP 200 ml		38,40
1-2	93017680	AIR CAP PACKING	10,90	14018080	PC 4S SIDE GRAVITY CUP 400 ml		63,00
2 + 2-1	see left	FLUID NOZZLE + NEEDLE SET	100,00	930355A0	REPAIRING KIT includes: needle packing set (3), air valve seat set (5), air valve (6), air valve spring (7), fluid adj. guide set (8), needle spring set (9), air valve shaft (11), trigger stud set (14).		156,30
3	93765610	NEEDLE PACKING SET	20,80	001004050	TWIN HOSE (Air and Fluid) 1/4"-1/4" - 5 m		89,60
4	93012580	PATTERN ADJUSTMENT	43,50	001004075	TWIN HOSE (Air and Fluid) 1/4"-1/4" - 7.5 m		109,80
5	93001640	AIR VALVE SEAT SET	35,00	001004100	TWIN HOSE (Air and Fluid) 1/4"-1/4" - 10 m		134,10
6	93001690	AIR VALVE	23,90				
7	93001700	AIR VALVE SPRING	13,60				
8	93012630	FLUID ADJUSTMENT GUIDE SET	38,80				
9	93002820	NEEDLE SPRING SET	21,50				
10	93012650	FLUID ADJUSTMENT KNOB	15,50				
11	93001790	AIR VALVE SHAFT	20,90				
12	93012660	AIR ADJUSTMENT SET	39,60				
13	93013800	TRIGGER SET	23,50				
14	93013810	TRIGGER STUD	7,80				



# WIDER1 CHROME SUCTION - HIGH QUALITY

## FEATURES



Standard Technology



High Transfer Efficiency



Lower Noise Level



Easy Maintenance



Ergonomic Design

Quality and experience are key points for the development of this new proposal for industrial coating applications. Suitable for different applications and evolving paints, this suction model has been developed for the highest precision and saving time in working process.



## TECHNICAL DATA

• Air Nipple: G1/4" • Fluid Nipple: G1/4"

model name	ø mm	cap	bar*	ml/min	NI/min	mm (in)
WIDER1-13H2S	1.3	H2	2.5	150	225	160
WIDER1-15H2S	1.5	N1		170		175
WIDER1-18N1S	1.8			210	170	170

\*Suggested gun inlet pressure during spraying.

## ORDER INFORMATION

	ø 1,3	ø 1,5	ø 1,8	€
WIDER1 CHROME Suction Spray Gun - Only gun	WIDER1-13H2S-M	WIDER1-15H2S-M	WIDER1-18N1S-M	361,00
WIDER1 CHROME SUCTION SPRAY GUN with PCL 7B2 Cup	130149A0	130150A0	130151A0	419,80
<b>AIR CAP SET</b>	<b>H2</b> 93012150		<b>N1</b> 93012270	93,40
<b>FLUID NOZZLE &amp; NEEDLE SET</b>	93012350	93012460	93012480	100,00

## SET OPTIONS & CONTENTS

### CARTON BOX

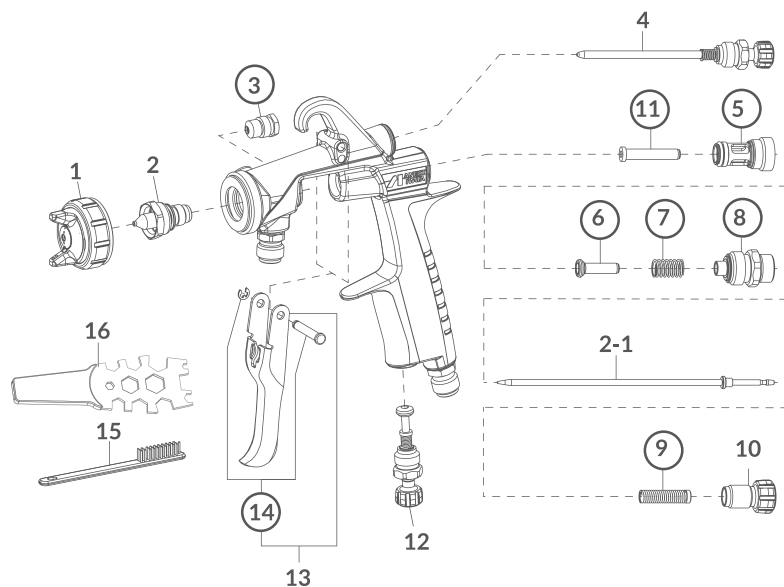


WIDER1 CHROME Suction Spray Gun  
PCL 7B 2 Suction Container 700ml  
Universal Spanner  
Cleaning Brushes

# SPARE PARTS



WIDER1 CHROME



REF.	CODE	DESCRIPTION	€	CODE	DESCRIPTION	REF.	€
1	see left	AIR CAP SET H2 - N1	93,40	W2COM6163	BRUSHES (5 PCS/1PK)	15	12,80
1-1	93012170	AIR CAP COVER	48,00	930171A0	UNIVERSAL SPANNER	16	8,80
1-2	93017680	AIR CAP PACKING	10,90	14018641	PCL 7B 2 SUCTION CONTAINER 700ml		71,40
2 + 2-1	see left	FLUID NOZZLE + NEEDLE SET	100,00	930355A0	REPAIRING KIT includes: needle packing set (3), air valve seat set (5), air valve (6), air valve spring (7), fluid adj. guide set (8), needle spring set (9), air valve shaft (11), trigger stud set (14).		156,30
3	93765610	NEEDLE PACKING SET	20,80	001004050	TWIN HOSE (Air and Fluid) 1/4"-1/4" - 5 m		89,60
4	93012580	PATTERN ADJUSTMENT	43,50	001004075	TWIN HOSE (Air and Fluid) 1/4"-1/4" - 7.5 m		109,80
5	93001640	AIR VALVE SEAT SET	35,00	001004100	TWIN HOSE (Air and Fluid) 1/4"-1/4" - 10 m		134,10
6	93001690	AIR VALVE	23,90				
7	93001700	AIR VALVE SPRING	13,60				
8	93012630	FLUID ADJUSTMENT GUIDE SET	38,80				
9	93002820	NEEDLE SPRING SET	21,50				
10	93012650	FLUID ADJUSTMENT KNOB	15,50				
11	93001790	AIR VALVE SHAFT	20,90				
12	93012660	AIR ADJUSTMENT SET	39,60				
13	93013800	TRIGGER SET	23,50				
14	93013810	TRIGGER STUD	7,80				

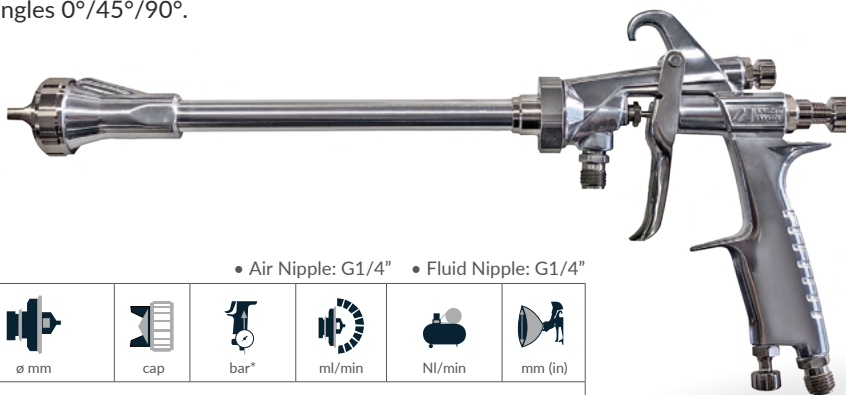


# LW1-10E / LW1-18N EXTENSION NOZZLE GUN

## FEATURES



Manual pressure extension nozzle spray gun based on the Wider1 series, is special for internal surfaces painting of pipes and other hard to reach surfaces. Its extensions length and its head angles are available in different sizes.  
 Extension length 150/300 /500 mm - Head angles 0°/45°/90°.



## TECHNICAL DATA

• Air Nipple: G1/4" • Fluid Nipple: G1/4"

model name	Head Angle mm	Air Pipe Length mm	ø mm	cap	bar*	ml/min	NI/min	mm (in)
<b>LW1-10E - SPRAY DISTANCE 200 mm</b>								
LW1-10E1-0015	0°	150	1.0	E1	3.0	150	90	175
LW1-10E1-4515	45°							
LW1-10E1-9015	90°							
LW1-10E1-0030	0°	300						
LW1-10E1-4530	45°							
LW1-10E1-9030	90°							
LW1-10E1-0050	0°	500						
LW1-10E1-4550	45°							
LW1-10E1-9050	90°							
<b>LW1-18N - SPRAY DISTANCE 250 mm</b>								
LW1-18N1-0015	0°	150	1.8	N1	3.5	250	210	185
LW1-18N1-4515	45°							
LW1-18N1-9015	90°							
LW1-18N1-0030	0°	300						
LW1-18N1-4530	45°							
LW1-18N1-9030	90°							
LW1-18N1-0050	0°	500						
LW1-18N1-4550	45°							
LW1-18N1-9050	90°							

\*Suggested gun inlet pressure during spraying.

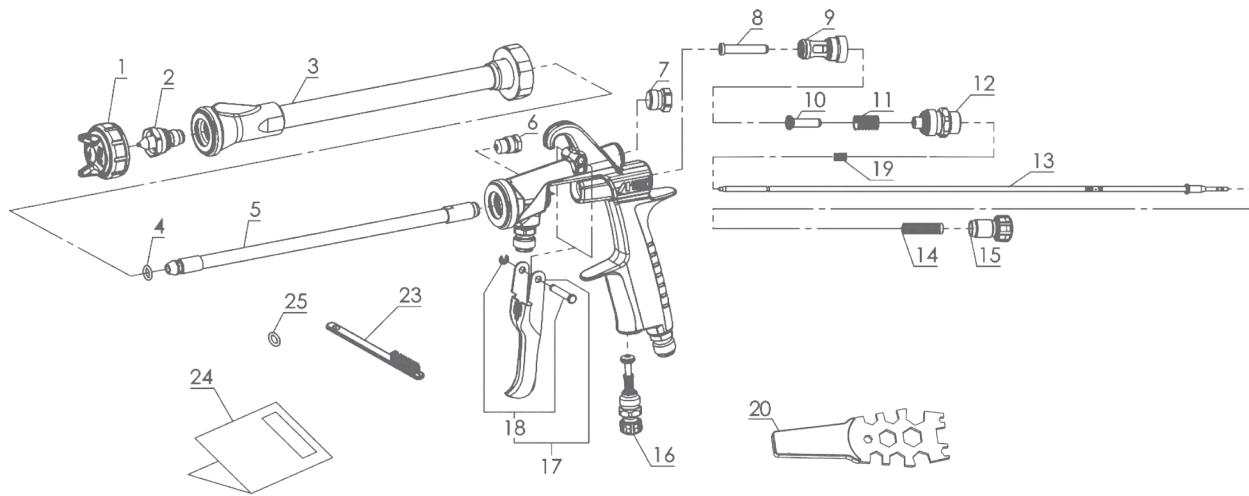
## ORDER INFORMATION

LW1-10E	CODE	DESCRIPTION	€	LW1-18N	CODE	DESCRIPTION	€
ø 1.0 - E1	LW1-10E1-0015	EXTENSION NOZZLE GUN	989,30	ø 1.8 - N1	LW1-18N1-0015	EXTENSION NOZZLE GUN	984,60
	LW1-10E1-4515						
	LW1-10E1-9015						
	LW1-10E1-0030						
	LW1-10E1-4530						
	LW1-10E1-9030						
	LW1-10E1-0050						
	LW1-10E1-4550						
LW1-10E1-9050							

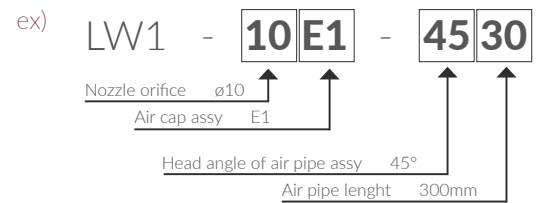
# SPARE PARTS



LW1-10E / LW1-18N



## HOW TO READ MODEL NAMES



REF.	CODE	DESCRIPTION	€	REF.	CODE	DESCRIPTION	€
1	93012230	AIR CAP ASSY E1	103,50	10	93001690	AIR VALVE	23,90
1	93012270	AIR CAP ASSY N1	93,40	11	93001700	AIR VALVE SPRING	13,60
2	93012450	FLUID NOZZLE 10 Nozzle size 1.0mm	87,60	12	93012630	FLUID ADJ GUIDE ASSY	38,80
2	93012490	FLUID NOZZLE 18 Nozzle size 1.8mm	87,60	13	93015380	FLUID NEEDLE ASSY 15 150mm	207,50
3	93015200	AIR PIPE ASSY 0015 Angle 0°, length 150mm	550,00	13	93015370	FLUID NEEDLE ASSY 30 300mm	223,00
3	93015210	AIR PIPE ASSY 0030 Angle 0°, length 300mm	550,00	13	93015390	FLUID NEEDLE ASSY 50 500mm	228,00
3	93015230	AIR PIPE ASSY 0050 Angle 0°, length 500mm	550,00	14	93002820	NEEDLE SPRING ASSY	21,50
3	93015180	AIR PIPE ASSY 4515 Angle 45°, length 150mm	550,00	15	93012650	FLUID ADJ KNOB	15,50
3	93015170	AIR PIPE ASSY 4530 Angle 45°, length 300mm	550,00	16	93012660	AIR ADJ ASSY	39,60
3	93015190	AIR PIPE ASSY 4550 Angle 45°, length 500mm	550,00	17	93013800	TRIGGER ASSY	23,50
3	93015240	AIR PIPE ASSY 9015 Angle 90°, length 150mm	550,00	18	93013810	TRIGGER STUD ASSY	7,80
3	93015250	AIR PIPE ASSY 9030 Angle 90°, length 300mm	550,00	19	93596610	FLUID NEEDLE GUIDE SPRING only for 500mm needle	20,70
3	93015260	AIR PIPE ASSY 9050 Angle 90°, length 500mm	550,00	20	930171A0	UNIVERSAL SPANNER	8,80
4	96638004	O RING	4,10				
5	93835610	FLUID PIPE ASSY	205,10				
6	93765610	NEEDLE PACKING ASSY	20,80				
7	93625371	PLUG	38,50				
8	93001790	AIR VALVE SHAFT	20,90				
9	93001640	AIR VALVE SEAT ASSY	35,00				



# W-77

## FEATURES



Standard Technology



Lower Noise Level



Easy Maintenance



Ergonomic Design

The W-77 series spray guns have been used by coating professionals for over twenty-five years worldwide for industrial/manufacturing applications. This model is a well-balanced general purpose spray gun with built-in air adjusting valve suitable for medium to large sized painting applications within a wide variety of industries. It is available in pressure, suction and gravity feed configurations.



## TECHNICAL DATA

• Air Nipple: G1/4" • Fluid Nipple: G3/8"

model name	ø mm	cap	bar*	ml/min	NI/min	mm (in)
W-77 0 PRESSURE	1.2	0	3.5	480	430	445
W-77 1S SUCTION	1.5	1		255	185	210
W-77 2S SUCTION	2.0	2		345	250	255
W-77 3S SUCTION	2.5	3		435	325	280
W-77 1G GRAVITY	1.5	1		285	185	230
W-77 2G GRAVITY	2.0	2		390	250	290
W-77 3G GRAVITY	2.5	3		485	325	330

\*Suggested gun inlet pressure during spraying.

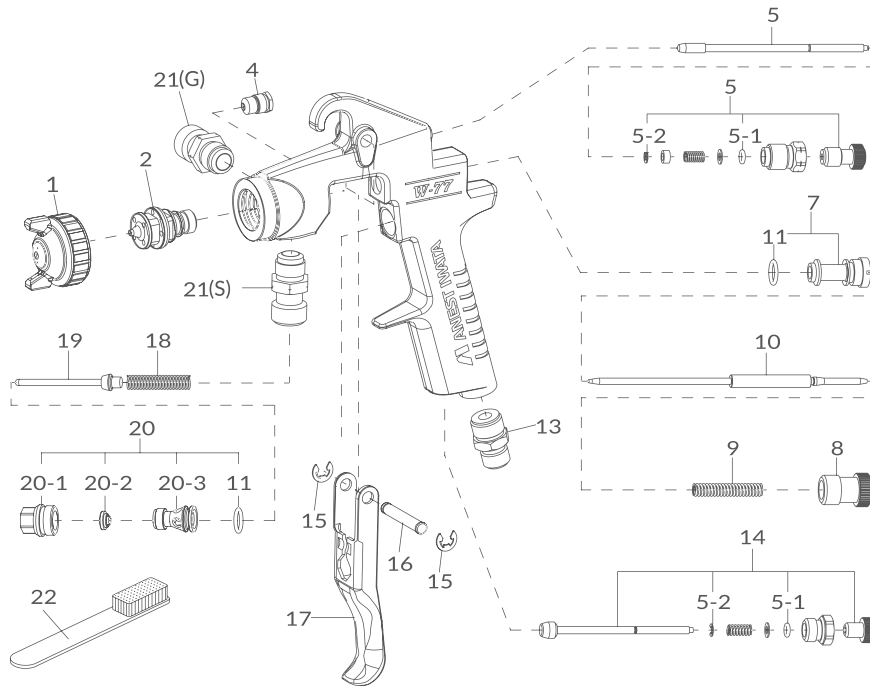
## ORDER INFORMATION

	ø 1,2	ø 1,5	ø 2,0	ø 2,5	€
W-77 PRESSURE SPRAY GUN	13100000	-	-	-	221,00
W-77 SUCTION SPRAY GUN	-	13100020	13100050	13100070	221,00
W-77 GRAVITY SPRAY GUN	-	13001110	13001100	13100170	221,00
AIR CAP SET	93901911	-	-	-	68,00
AIR CAP SET (S/G)	-	93900901	93901901	93900911	68,00
FLUID NOZZLE & NEEDLE SET	93938900	93007720	93007760	93997020	90,00

# SPARE PARTS



W-77 PRESSURE



REF.	CODE	DESCRIPTION	QTY.	€	REF.	CODE	DESCRIPTION	QTY.	€
1	see left	AIR CAP SET		68,00	22	W2COM6163	BRUSHES	(5 pcs./1 pk.)	12,80
1	see left	AIR CAP SET S/G		68,00	14018200	PC 12 SUCTION CONTAINER	1 litre		97,50
2+10	see left	NOZZLE + NEEDLE SET		90,00	14018000	PC 1 SUCTION CONTAINER	1 litre		104,70
4	93545660	NEEDLE PACKING CARTRIDGE		36,50	14018020	PC 1 S SUCTION CONTAINER	1 litre		111,60
5	03909900	PATTERN ADJUSTING SET		41,40	14018661	PCL 7B 3 SUCTION CONTAINER	700 ml		73,60
5-1/11	03906100	'O' RING SET	(2+2 pcs. /1 pk.)	6,30	14018621	PCL 10 B3 SUCTION CONTAINER	1 litre		79,20
5-2	06610023	STOPPER		1,80					
7	03064082	FLUID NEEDLE GUIDE		12,85					
8	03102081	FLUID ADJ. KNOB		12,50					
9	03069081	FLUID NEEDLE SPRING		2,80					
13	93160002	AIR NIPPLE		10,30					
14	03907900	AIR ADJ. SET		48,30					
15	03842240	E STOPPER SET	(2 pcs./1 pk.)	3,90					
16	03167041	TRIGGER STUD		5,50					
17	03162900	TRIGGER		17,30					
18	03088050	AIR VALVE SPRING		5,00					
19	03081900	AIR VALVE		18,90					
20	03930900	AIR VALVE SEAT SET		48,30					
20-1	03086082	AIR VALVE PACKING SEAT		18,30					
20-2	03909101	AIR VALVE PACKING SET	(2 pcs./1 pk.)	18,20					
20-3	03083901	AIR VALVE SEAT		21,10					
21	03161901	FLUID NIPPLE		19,60					



# W-71

## FEATURES



Standard Technology



Lower Noise Level



Easy Maintenance



Ergonomic Design

The W-71 series spray guns have been used by coating professionals for over twenty-five years worldwide for industrial/manufacturing applications. This model is a well-balanced general purpose spray gun with built-in air adjusting valve suitable for medium to large sized painting applications within a wide variety of industries. It is available in pressure, suction and gravity feed configurations.



## TECHNICAL DATA

• Air Nipple: G1/4" • Fluid Nipple: G1/4"

model name	ø mm	cap	bar*	ml/min	NI/min	mm (in)
W-71 0 PRESSURE	0.8	0	3.5	200	240	190
W-71 1S SUCTION	1.0	1S	3.0	95	75	100
W-71 2S SUCTION	1.3	2S		135	85	135
W-71 3S SUCTION	1.5	3S		180	165	170
W-71 4S SUCTION	1.8	4S		195	230	200
W-71 21S SUCTION	1.3	21S		140	195	155
W-71 31S SUCTION	1.5	31S		170	230	170
W-71 1G GRAVITY	1.0	1G		110	75	120
W-71 2G GRAVITY	1.3	2G		155	85	155
W-71 3G GRAVITY	1.5	3G		210	165	185
W-71 4G GRAVITY	1.8	4G		220	230	230
W-71 21G GRAVITY	1.3	21G		160	195	165
W-71 31G GRAVITY	1.5	31G		190	230	185

\*Suggested gun inlet pressure during spraying.

## ORDER INFORMATION

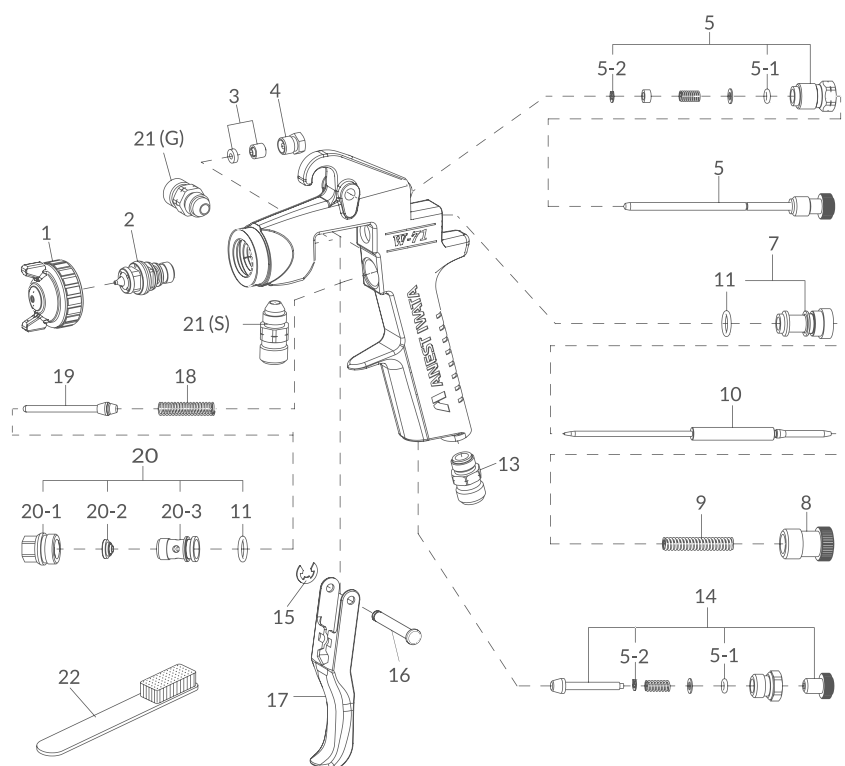
	ø 0,8	ø 1,0	ø 1,3	ø 1,3	ø 1,5	ø 1,5	ø 1,8	€
W-71 PRESSURE SPRAY GUN	13090000	-	-	-	-	-	-	210,50
W-71 SUCTION SPRAY GUN	-	13090020	13090030	13090040	13090050	13090060	13090070	210,50
W-71 GRAVITY SPRAY GUN	-	13090100	13090110	13090120	13090130	13090140	13090150	210,50
<b>AIR CAP SET</b>	<b>0</b> 93900020	<b>1S - 2G</b> 93900030	<b>2S - 2G</b> 93901020	<b>21S - 21G</b> 93900090	<b>3S - 3G</b> 93900080	<b>31S - 31G</b> 93900100	<b>4S - 4G</b> 93901100	<b>66,55</b>
<b>FLUID NOZZLE &amp; NEEDLE</b>	93938081	03006060	93999920		03006120		03006070	<b>60,00</b>



# SPARE PARTS



W-71 PRESSURE



REF.	CODE	DESCRIPTION	QTY.	€	CODE	DESCRIPTION	€
1	see left	AIR CAP SET		66,55	14018040	PC 2 SUCTION CONTAINER 600 ml	89,60
2+10	see left	NOZZLE + NEEDLE SET		60,00	14018060	PC 3 SUCTION CONTAINER 400 ml	115,95
3	03906110	NEEDLE PACKING SET		16,10	14018641	PCL 7B 2 SUCTION CONTAINER 700 ml	71,40
4	03067082	NEEDLE PACKING SEAT		6,30	14018601	PCL 10 B2 SUCTION CONTAINER 1 litre	76,85
5	93909080S	PATTERN ADJUSTING SET		28,90			
5-1/11	03906100	'O' RING SET	(2+2 pcs./1 pk.)	6,30			
5-2	06610023	STOPPER		1,30			
7	93064082	FLUID NEEDLE GUIDE		9,00			
8	03102081	FLUID ADJ. KNOB		13,50			
9	03069081	FLUID NEEDLE SPRING		2,80			
13	03010080	AIR NIPPLE		11,10			
14	93907081S	AIR ADJ. SET		28,90			
15	03912030	E STOPPER SET	(2 pcs./1 pk.)	4,50			
16	03167080	TRIGGER STUD		5,50			
17	03162080	TRIGGER		12,50			
18	93088082S	AIR VALVE SPRING		1,10			
19	93081081S	AIR VALVE		10,40			
20	93930090S	AIR VALVE SEAT SET		43,30			
20-1	03086082	AIR VALVE PACKING SEAT		18,30			
20-2	03909101	AIR VALVE PACKING SET	(2 pcs./1 pk.)	18,20			
20-3	03083082	AIR VALVE SEAT		14,10			
21	03161082	FLUID NIPPLE		12,50			
22	W2COM6163	BRUSHES (5 pcs./1 pk.)		12,80			



# GRAVITY CUPS

## Side 400 ml ORDER INFORMATION

MODEL	CODE	CONNECTION	Available for	€
PC 4	14018070	G3/8" (PF3/8")	W-77	53,00
PC 4S	14018080	G1/4" (PF1/4")	WIDER1/ W-71/ W101	61,20



## Side 250 ml ORDER INFORMATION

MODEL	CODE	CONNECTION	Available for	€
PC 5	14018090	G1/4" (PF1/4")	WIDER1/ W-71/ W101	58,70



## Side 220 ml ORDER INFORMATION

MODEL	CODE	CONNECTION	Available for	€
PC 51	14018180	G1/4" (PF1/4")	WIDER1/ W-71/ W101	77,40



## Side 200 ml ORDER INFORMATION

MODEL	CODE	CONNECTION	Available for	€
PC 52 AG	14018186F	G1/4" (PF1/4")	WIDER1/ W-71/ W101	38,40



## Side 130 ml ORDER INFORMATION

MODEL	CODE	CONNECTION	Available for	€
PC 61	14018190	G1/4" (PF1/4")	WIDER1/ W-71/ W101	73,90



## GRAVITY CUPS SPARE PARTS ORDER INFORMATION

MODEL	DESCRIPTION	Available for	€
04001080	LID SET	PC 4 / PC 4S	25,50
04001100	LID SET	PC 5	31,90
04001191	LID SET	PC 61	14,50

# PRESSURE CONTAINER

## CENTRAL 1lt. ORDER INFORMATION

MODEL	CODE	CONNECTION	Available for	€
PC 19 B	14018151	M16x1	W-2003	188,80
LID PACKING SET	94903170		PC 19B	23,60
PCL 19R	14018160	G3/8" (PF3/8")	W-77	610,00



# SUCTION CONTAINERS



## CENTRAL 1lt. ORDER INFORMATION

MODEL	CODE	CONNECTION	Available for	€
PC 12	14018200	G3/8" (PF3/8")	W-200 INTEGRA / W-77 / W-200	97,50
PC 1	14018000	G3/8" (PF3/8")	W-200 INTEGRA / W-77 / W-200	104,70
PC 1S	14018020	G1/4" (PF1/4")	WIDER1/ W-71/ W-101	111,60



## CENTRAL 1lt. ORDER INFORMATION

MODEL	CODE	CONNECTION	Available for	€
PCL 10B 2	14018601	G1/4" (PF1/4")	WIDER1/ W-71/ W-101	76,80
PCL 10B 3	14018621	G3/8" (PF3/8")	W-200 INTEGRA / W-77 / W-200	79,20



## CENTRAL 700 ml ORDER INFORMATION

MODEL	CODE	CONNECTION	Available for	€
PCL 7B 2	14018641	G1/4" (PF1/4")	WIDER1/ W-71/ W-101	68,70
PCL 7B 3	14018661	G3/8" (PF3/8")	W-200 INTEGRA / W-77 / W-200	73,60



## CENTRAL 600 ml ORDER INFORMATION

MODEL	CODE	CONNECTION	Available for	€
PC 2	14018040	G1/4" (PF1/4")	WIDER1/ W-71/ W-101	89,60



## CENTRAL 400 ml ORDER INFORMATION

MODEL	CODE	CONNECTION	Available for	€
PC 3	14018060	G1/4" (PF1/4")	WIDER1/ W-71/ W-101	101,43



## SUCTION CONTAINER SPARE PARTS ORDER INFORMATION

MODEL	DESCRIPTION	Available for	€
04903000	LID	PC 1	70,60
04903050	LID	PC 2	51,50
04901000	PACKING SET	PC 1 / PC 1S / PC 2	6,50
04002200	PACKING	PC 12	5,35
94008300	PACKING SET	PCL 7B / PCL 10B	12,60
04904302	NON DRIP SET	PCL 7B / PCL 10B	9,10



# E-M15B | E-M10B - Internal Charging System

## FEATURES



Electrostatic Equipment



High Transfer Efficiency



Lower Noise Level



Ergonomic Design










Low Overspray



## FOR AUTOMAKERS AND GENERAL INDUSTRY

- Fulfills high transfer efficiency with even -40 kV by means of atomizing head to maintain fine finishing and maximize electrostatic effect.
- Cascade type high safety feature.
- Ergonomically designed trigger and grip supported by feedback from many users.
- Low voltage cable with detachable connector for easy maintenance.
- Teflon fluid hose which is easy to clean and maintain.

## TECHNICAL DATA

 model name	 ø mm	 cap	 bar*	 ml/min	 NI/min	 mm (in)
E-M15B-13C1X-S1	1.3	C1	ACV-12Vpp	DC-40KV	10	510








\*Suggested gun inlet pressure during spraying.

## ORDER INFORMATION

CODE	DESCRIPTION	CONTROLLER	VOLTAGE	€
14200390	E-M15B ELECTROSTATIC SPRAY GUN			7357,0
14208800	CONTROLLER (UK - Plug Model)	E-SC12-EX	AC 200-240V	2642,80
E-SC12B-EX-FD	E-SC12B-EX-FD CONTROLLER W/GERMAN PLUG	E-SC12-EX-FD	AC 200-240V	2642,8

## E-M10B WATER BASED AND LOW RESISTANCE PAINT

## TECHNICAL DATA

 model name	 ø mm	 cap	 bar*	 ml/min	 NI/min	 mm (in)
E-M10B-13C1X	1.3	C1	ACV-12Vpp	DC-40KV	10	510

\*Suggested gun inlet pressure during spraying.



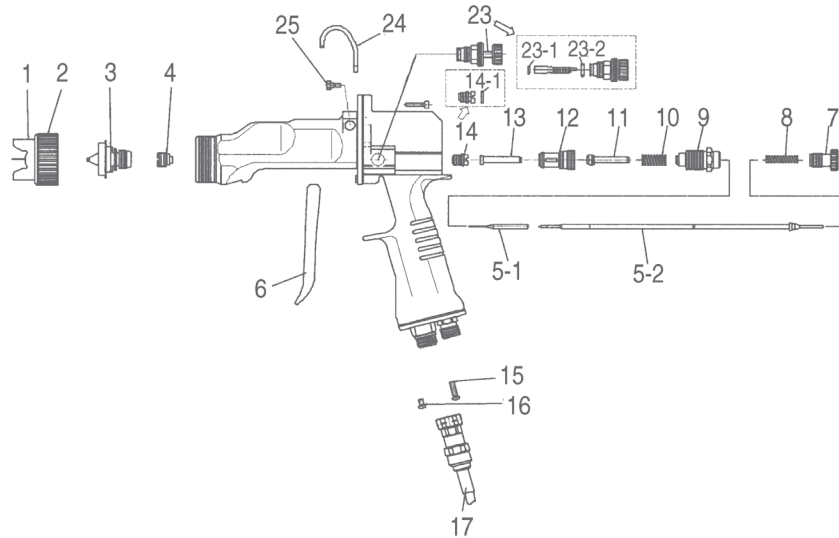
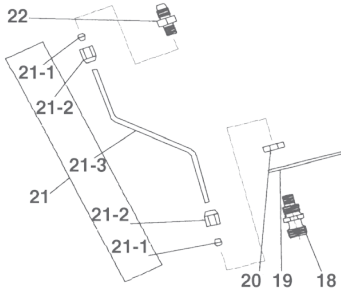
## ORDER INFORMATION

CODE	DESCRIPTION	CONTROLLER	VOLTAGE	€
14200610	E-M10B-13C1X ELECTROSTATIC SPRAY GUN			7357,0
14208800	CONTROLLER (UK - Plug Model)	E-SC12-EX	AC 200-240V	2642,8
E-SC12B-EX-FD	E-SC12B-EX-FD CONTROLLER W/GERMAN PLUG	E-SC12-EX-FD	AC 200-240V	2642,80

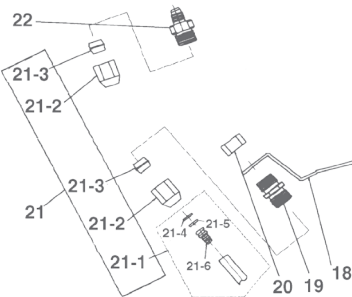
# SPARE PARTS



## E-M15B



## E-M10B



REF.	CODE	DESCRIPTION	E-M15B	E-M10B	€	REF.	CODE	DESCRIPTION	E-M15B	E-M10B	€
1	93683030	AIR CAP SET(2) C1	X	X	183,20	20	03687000	NUT	X		32,80
2	03675040	CAP COVER	X	X	62,60	20	93688030	NUT		X	26,60
3	93684030	FLUID NOZZLE (2) ø 1,3 for C1/C5	X	X	307,90	21	93841060	FLUID TUBE SET	X		60,70
4	93801080	NEEDLE PACKING SET	X	X	93,90	21	93843060	ELECTROSTATIC FLUID HOSE SET		X	1038,0
5-1	93839000	FLUID NEEDLE SET	X	X	89,50	21-1	96876106	SLEEVE for ø6 fluid tube	X		4,00
5-2	93803080	BAR SET	X	X	191,90	21-2	96876520	JOINT NUT for ø6 fluid tube	X		4,65
6	03680040	TRIGGER	X	X	127,60	21-2	06876530	JOINT NUT for E.S fluid HOSE		X	11,20
7	93594532	FLUID ADJ. KNOB	X	X	16,90	21-3	06876630	SLEEVE for E.S fluid HOSE		X	2,80
8	03593530	NEEDLE SPRING	X	X	8,20	21-4	06997007	'O' RING		X	2,90
9	93807080	FLUID ADJ. GUIDE SET	X	X	97,90	21-5	06637694	'O' RING		X	3,10
10	03719530	AIR VALVE SPRING	X	X	8,20	21-6	93686030	HOSE SEAT		X	27,00
11	93580080	AIR VALVE	X	X	37,40	22	93683050	FLUID JOINT for ø6 fluid tube - ø4.0 orifice	X		35,30
12	03843530	AIR VALVE SEAT SET	X	X	28,00	22	93687030	FLUID JOINT		X	72,70
12-1	06638008	'O' RING	X	X	2,90	23	93810080	PATTERN ADJ. SET	X	X	187,60
13	93581080	AIR VALVE SHAFT	X	X	123,60	23-1	06997012	'O' RING	X	X	2,90
14	93809080	BAR PACKING SET	X	X	111,60	23-2	96997011	'O' RING	X	X	2,90
14-1	96997063	'O' RING	X	X	32,80	24	93510080	HOOK	X	X	83,70
15	96360033	SCREW	X	X	1,00	25	03684010	TRIGGER SCREW	X	X	15,10
16	96360032	SCREW	X	X	1,00	26	96350316	BOLT	X	X	15,10
17	14211870	LOW VOLTAGE CABLE 10 m	X	X	834,00	27	96500304	SPRING WASHER	X	X	1,00
18	93680050	FLUID NIPPLE 3/8" M for ø6 fluid tube	X		78,30	28	96382032	NUT	X	X	1,00
18	93513080	L STAY		X	81,00						
19	93511080	FLUID JOINT STAY	X		97,90						
19	93555010	HOLDER		X	46,00						



# INTERCHANGEABLE SPARE PARTS



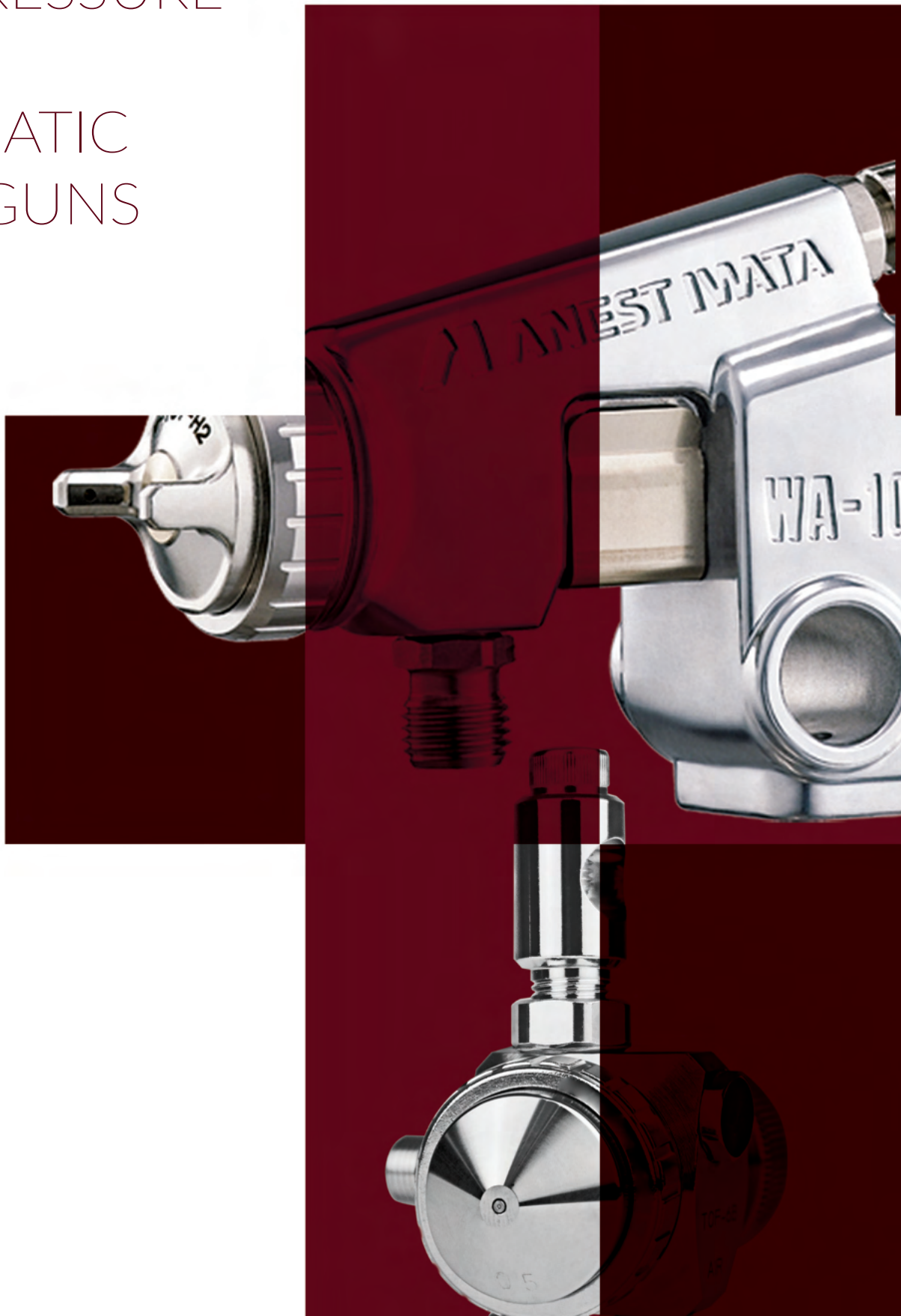
## SPIRAL FLUID HOSE

CODE	INTERCHANGEABLE ACCESSORIES		E-M15B	E-M10B	€
93683030	AIR CAP SET (2)	C1 Air cap (Conventional)	X	X	183,20
93679030	AIR CAP SET (1)	L1 Air cap (HVLP)	X	X	183,20
93569090	AIR CAP SET C5	C5 Air cap	X	X	183,00
93684030	FLUID NOZZLE (2)	ø 1,3 nozzle, for C1/C5	X	X	307,90
93514080	FLUID NOZZLE (4)	ø 1,5 nozzle, for C1/C5	X	X	315,00
93515080	FLUID NOZZLE (6)	ø 1,8 nozzle, for C1/C5	X	X	291,60
93674040	FLUID NOZZLE (1)	ø 1,3 nozzle, for L1	X	X	291,60
93562090	FLUID NOZZLE (2)-1.1	ø 1,1 chamfered tip nozzle, for C5	X	X	281,00
93572090	FLUID NOZZLE (3)-1.3	ø 1,3 chamfered tip nozzle, for C5	X	X	267,00
93573090	FLUID NOZZLE (4)-1.5	ø 1,5 chamfered tip nozzle, for C5	X	X	267,00
93574090	FLUID NOZZLE (5)-1.8	ø 1,8 chamfered tip nozzle, for C5	X	X	267,00
93841060	FLUID TUBE SET	ø 4 x ø 2	-	X	60,70
93848010	FLUID TUBE SET	ø 6 x ø 4	-	X	60,20
93844010	SPIRAL FLUID TUBE SET	ø 4 x ø 2 for metallic paint 10T	-	X	5,00
9E-M15B-X3	SPIRAL FLUID TUBE SET	ø 6 x ø 4 for metallic paint 6 T	-	X	387,70
96876004	JOINT NUT	for ø4 fluid tube	-	X	8,10
96876520	JOINT NUT	for ø6 fluid tube	-	X	4,70
96876104	SLEEVE	for ø4 fluid tube	-	X	2,30
96876106	SLEEVE	for ø6 fluid tube	-	X	4,00
93685040	FLUID NIPPLE	3/8" M - for ø4 fluid tube	-	X	88,20
93681050	FLUID NIPPLE	1/4" M - for ø4 fluid tube	-	X	75,00
93680050	FLUID NIPPLE	3/8" M - for ø6 fluid tube	-	X	78,30
93682050	FLUID NIPPLE	1/4" M - for ø6 fluid tube	-	X	91,40
93686000	FLUID JOINT	for ø4 fluid tube - ø 2 orifice	-	X	35,30
93681010	FLUID JOINT	for ø4 fluid tube - ø 0,8 orifice	-	X	70,80
93683050	FLUID JOINT	for ø6 fluid tube - ø 4 orifice	-	X	35,30
93594532	FLUID ADJ. KNOB	Adjustable	X	X	16,90
93810080	PATTERN ADJ. SET	Adjustable	X	X	187,60
93601080	LOCKABLE FLUID ADJ. SET	Lockable	X	X	10,50
14211870	LOW VOLTAGE CABLE	10 m	X	X	834,00
14211880	LOW VOLTAGE CABLE	15 m	X	X	1274,20
14211890	LOW VOLTAGE CABLE	20 m	X	X	1513,80

2

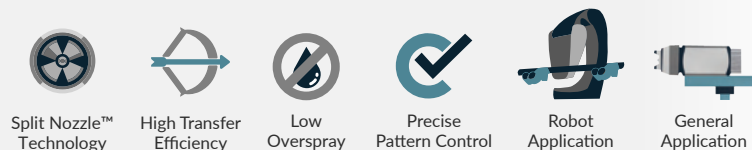
LOW PRESSURE

AUTOMATIC  
SPRAY GUNS



# WA-200 | WA-200 WB

## FEATURES



WA-200 Automatic Spray Guns series are designed to meet the needs of automatic paint application in various fields of the industrial sector, from leather to wood, to automotive and many others. This series has been developed to be installed on the automatic paint lines or paint robots.

The WA-200 WB Version, equipped with the exclusive Split Nozzle™ Technology is special for water base paints.

## TECHNICAL DATA

• Air Nipple: G1/4" • Fluid Nipple: G1/4"

model name	ø mm	cap	bar*	ml/min	NI/min	mm (in)			
WA-200 WB-081P	0.8	WB1	1.6	200	340	360			
WA-200 WB-101P	1.0			250					
WA-200 WB-121P	1.2			300			380		
WA-200 WB-141P	1.4			340					
WA-200 WB-161P	1.6			340					
WA-200 - 064P	0.6	LV2	2.0	255	270	280			
WA-200 - 084P	0.8								
WA-200 - 104P	1.0								
WA-200 - 124P	1.2								
WA-200 - 154P	1.5								
WA-200 - 082P	0.8	G2P	3.0	500	530	400			
WA-200 - 102P	1.0								
WA-200 - 122P	1.2								
WA-200 - 152P	1.5						270	330	340
WA-200 - 202P	2.0						400	360	320
WA-200 - 251P	2.5	W1	500	360	330				

\*Suggested gun inlet pressure during spraying.

## WA-200 WB WATER BASED AUTOMATIC SPRAY GUN

### ORDER INFORMATION

	ø 0,8	ø 1,0	ø 1,2	ø 1,4	ø 1,6	€
WA-200 WB Automatic Spray Gun	13650900	13650910	13650920	13650930	13650940	821,80
AIR CAP SET - WB1	93609620					124,70
FLUID NOZZLE & NEEDLE	93660620	93661620	93662620	93663620	93664620	258,30

## WA-200 AUTOMATIC SPRAY GUN

### ORDER INFORMATION

	ø 0,6	ø 0,8	ø 1,0	ø 1,2	ø 1,5	€
WA-200 LV2 Automatic Spray Gun	WA-200-S10	13650300	13650310	13650320	13650330	786,30
AIR CAP SET - LV2	93830610B					110,70
FLUID NOZZLE & NEEDLE	9WA-200-S10-101	93853620	93855620	93820620	93821620	126,50

### ORDER INFORMATION

	ø 0,8	ø 1,0	ø 1,2	ø 1,5	ø 2,0	ø 2,5	€
WA-200 Automatic Spray Gun	13650400	13650410	13650420	13650430	13650440	13650450	786,30
AIR CAP SET	G2P 93818610B		K2 93816610B	R2 93814610B	W1 93813610B		110,70
FLUID NOZZLE & NEEDLE	93853620	93855620	93820620	93821620	93822620	93824620	126,50

### ORDER INFORMATION

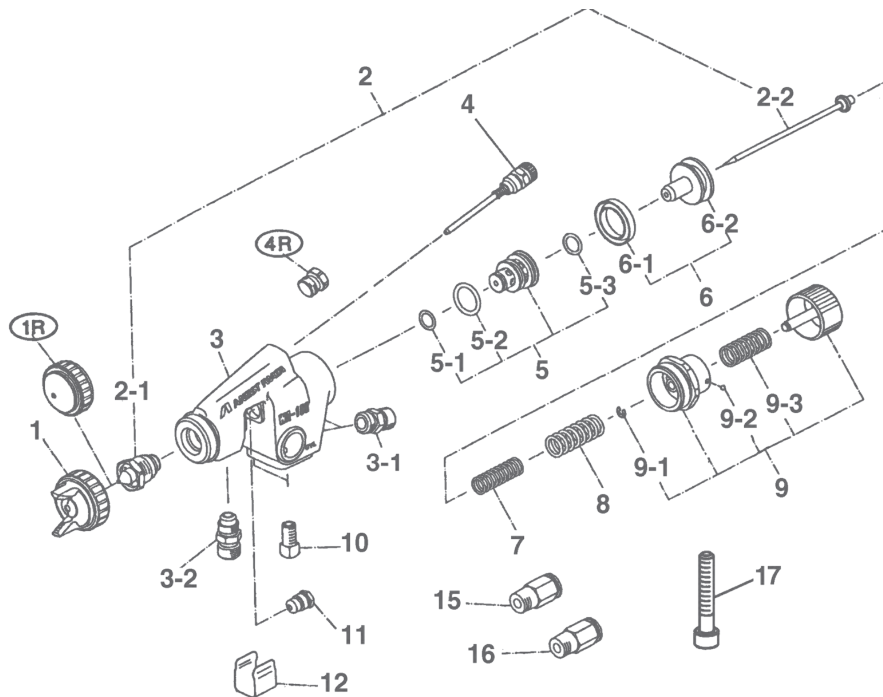
	ø 0,6	ø 0,8	ø 1,0	ø 1,2	€
WA-200 Fluid needle in hardened steel					
FLUID NOZZLE & NEEDLE	WA-200-X10	WA-200-X11	WA-200-X12	WA-200-X13	156,90



# SPARE PARTS



GENERAL PURPOSE

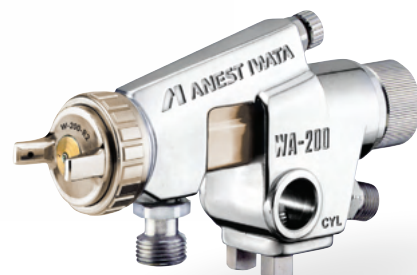
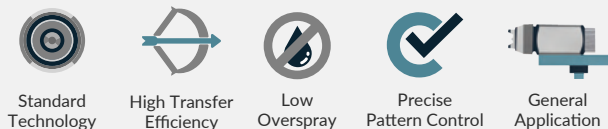


REF.	CODE	DESCRIPTION	SIZE	€	REF.	CODE	DESCRIPTION	SIZE	€
1	see left	AIR CAP SET WB1		124,70	7	03514580	NEEDLE SPRING		5,80
1	see left	AIR CAP SET		110,70	8	03513580	PISTON SPRING		7,30
2	see left	NOZZLE + NEEDLE SET WB1		258,30	9	93508680	FLUID ADJUSTMENT SET		189,50
2	see left	NOZZLE + NEEDLE SET (HS)		126,50	9-1	03912030	E STOPPER	(2 pcs./1 pk.)	4,50
2	see left	NOZZLE + NEEDLE SET		156,90	9-2	03914730	BALL	(2 pcs./1 pk.)	1,80
2-2	93644620	SPECIAL NEEDLE with TIP in Delrin	ø 0,8; 1,0; 1,2	88,10	9-3	03104420	FLUID ADJ. SPRING		10,70
	W-200-X17-1	NEEDLE TIP in Delrin	ø 0,8; 1,0; 1,2	20,70	10	03811580	BOLT SET		32,20
2-2	93645620	SPECIAL NEEDLE with TIP in Delrin	ø 1,5	121,90	11	93810620	NEEDLE PACKING SET		32,30
	93608600	NEEDLE TIP in Delrin	ø 1,5	21,00	12	93522581	COVER		19,30
3-1	03502620	AIR NIPPLE	G 1/4"	11,70	15	06801162	HALF UNION ø 6 mm		20,30
3-2	03515600	SPECIAL FLUID NIPPLE (AISI 303)	G 3/8"	28,50	16	06801182	HALF UNION ø 8 mm		20,30
3-2	03584530	FLUID NIPPLE	G 1/4"	19,50	17	96265574	WA-200 ZP		26,00
4	93812640	PATTERN ADJ. SET for Remote Control		350,30		93834580	AIR VALVE SEAT AXIS TOOL		394,80
4	93812621	PATTERN ADJ. SET		39,80		03708240	AIR CAP PACKING - white		3,20
5	03805620	AIR VALVE SEAT SET		72,50		03512600	AIR CAP L PACKING - black		5,60
5-1;5-2; 5-3	03849620	'O' RING SET		15,70		03810621M	NEEDLE PACKING FOR UV		109,40
6-1	93903441	PISTON PACKING SET	(2 pcs./1 pk.)	26,00		W2COM6163	BRUSHES	(5 pcs./ 1pk.)	12,80
6-2	03511580	PISTON		65,20		930171A0	UNIVERSAL SPANNER		8,80



# WA-200 FT | WA-200 ZP

## FEATURES



WA-200 FT Automatic Spray Gun with Flat Pattern is designed for use with automatic coating equipment, reciprocators, coating robots in the industrial sector.

## WA-200 FT AUTOMATIC SPRAY GUN WITH FLAT PATTERN

### TECHNICAL DATA

• Air Nipple: G1/4" • Fluid Nipple: G1/4"

model name	ø mm	cap	bar*	ml/min	NI/min	mm (in)
WA-200-066P FT	0.6	FT6	1.8	80	170	140
WA-200-086P FT	0.8			100	185	150
WA-200-106P FT	1.0			120	200	160
WA-200-126P FT	1.2			140	220	180

\*Suggested gun inlet pressure during spraying.

### ORDER INFORMATION

	ø 0,6	ø 0,8	ø 1,0	ø 1,2	€
WA-200 FT Automatic Spray Gun	13650360	13650370	13650380	13650390	786,30
AIR CAP SET - FT6	93566620B				124,10
FLUID NOZZLE & NEEDLE SET	93567620	93568620	93569620	93582620	129,40

## WA-200 ZP AUTOMATIC SPRAY GUN FOR ABRASIVE PAINTS

WA200-ZP Automatic Spray Gun with fluid nozzle and fluid needle made of tungsten carbide has been developed to be installed on the automatic paint lines. This model is special for spraying ceramic enamels and similarly abrasive paints.

### TECHNICAL DATA

• Air Nipple: G1/4" • Fluid Nipple: G1/4"

model name	ø mm	cap	bar*	ml/min	NI/min	mm (in)
WA-200-151 ZP	1.5	R1Z	3.5	760	500	370
WA-200-201 ZP	2.0					
WA-200-251 ZP	2.5					

\*Suggested gun inlet pressure during spraying.

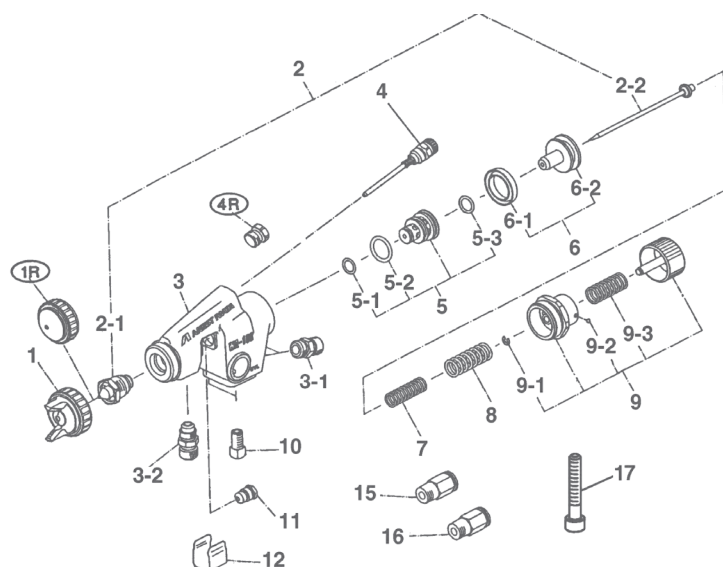
### ORDER INFORMATION

	ø 1,5	ø 2,0	ø 2,5	€
WA-200 ZP Automatic Spray Gun	13650520	13650500	13650510	1645,70
AIR CAP SET - R1Z	93871611			177,10
FLUID NOZZLE & NEEDLE SET	WA-200-X2	93836620	93838620	764,20

# SPARE PARTS



GENERAL PURPOSE

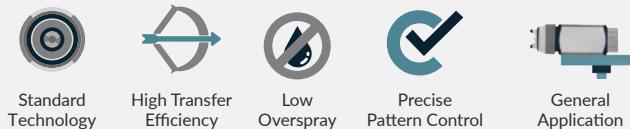


REF.	CODE	DESCRIPTION	SIZE	€	REF.	CODE	DESCRIPTION	SIZE	€
1	see left	AIR CAP SET FT6		124,10	8	03513580	PISTON SPRING		7,30
1	see left	AIR CAP SET R1Z		177,10	9	93508680	FLUID ADJUSTMENT SET		189,50
2	see left	NOZZLE + NEEDLE SET FT6		129,40	9-1	03912030	E STOPPER	(2 pcs./1 pk.)	4,50
2	see left	NOZZLE + NEEDLE SET R1Z		764,20	9-2	03914730	BALL	(2 pcs./1 pk.)	1,80
2-2	93644620	SPECIAL NEEDLE with TIP in Delrin	ø 0,8; 1,0; 1,2	88,10	9-3	03104420	FLUID ADJ. SPRING		10,70
	W-200-X17-1	NEEDLE TIP in Delrin	ø 0,8; 1,0; 1,2	20,70	10	03811580	BOLT SET		32,20
2-2	93645620	SPECIAL NEEDLE with TIP in Delrin	ø 1,5	121,90	11	93810620	NEEDLE PACKING SET		32,30
	93608600	NEEDLE TIP in Delrin	ø 1,5	21,00	12	93522581	COVER		19,30
3-1	03502620	AIR NIPPLE	G 1/4"	11,70	15	06801162	HALF UNION ø 6 mm		20,30
3-2	03515600	SPECIAL FLUID NIPPLE (AISI 303)	G 3/8"	28,50	16	06801182	HALF UNION ø 8 mm		20,30
3-2	03584530	FLUID NIPPLE	G 1/4"	19,50	17	96265574	WA-200 ZP		26,00
4	93812640	PATTERN ADJ. SET for Remote Control		350,30		93834580	AIR VALVE SEAT AXIS TOOL		394,80
4	93812621	PATTERN ADJ. SET		39,80		03708240	AIR CAP PACKING - white		3,20
5	03805620	AIR VALVE SEAT SET		72,50		03512600	AIR CAP L PACKING - black		5,60
5-1;5-2 5-3	03849620	'O' RING SET		15,70		03810621M	NEEDLE PACKING FOR UV		109,40
6-1	93903441	PISTON PACKING SET	(2 pcs./1 pk.)	26,00		W2COM6163	BRUSHES	(5 pcs./ 1pk.)	12,80
6-2	03511580	PISTON		65,20		930171A0	UNIVERSAL SPANNER		8,80
7	03514580	NEEDLE SPRING		5,80					



# WA-101 | WA-101 R | LPA-200

## FEATURES



## WA-101 & WA-101 R WITH ROUND PATTERN

### TECHNICAL DATA

• Air Nipple: G1/4" • Fluid Nipple: G1/4"

model name	ø mm	cap	bar*	ml/min	NI/min	mm (in)
WA-101-082P	0.8	E2P	3.0	150	270	190
WA-101-102P	1.0			200		220
WA-101-101P	1.0	E1		100	90	140
WA-101-132P	1.3	H2		250	260	230
WA-101R-05P	0.5	RP		20	40	35

\*Suggested gun inlet pressure during spraying.

Automatic Spray Gun series designed for use with automatic coating equipment, reciprocators, coating robots in the industrial sector. The models equipped with small orifice are suitable for painting on small objects. Available with or without round pattern.

### ORDER INFORMATION

	ø 0,8	Ø 1,0 (102P)	Ø 1,0 (101P)	ø 1,3	ø 0,5 RP	€
WA-101 Automatic Spray Gun	13610001	13610011	13610031	13610021	13610301	692,20
AIR CAP SET	E2P 93704610		-	-	-	98,40
AIR CAP SET	-	-	E1 93689610	-	-	99,10
AIR CAP SET	-	-	-	-	WA101R 93815622	99,10
AIR CAP SET	-	-	-	H2 93696610	-	99,10
FLUID NOZZLE & NEEDLE SET	93811621	93808621		93813621	93816621	95,60

## LPA-200 AUTOMATIC SPRAY GUN



### TECHNICAL DATA

• Air Nipple: G1/4" • Fluid Nipple: G3/8"

model name	ø mm	cap	bar*	ml/min	NI/min	mm (in)
LPA-200-122P	1.2	G2	2.0	500	500	300
LPA-200-S5-12P				250	560	250

\*Suggested gun inlet pressure during spraying.



### ORDER INFORMATION

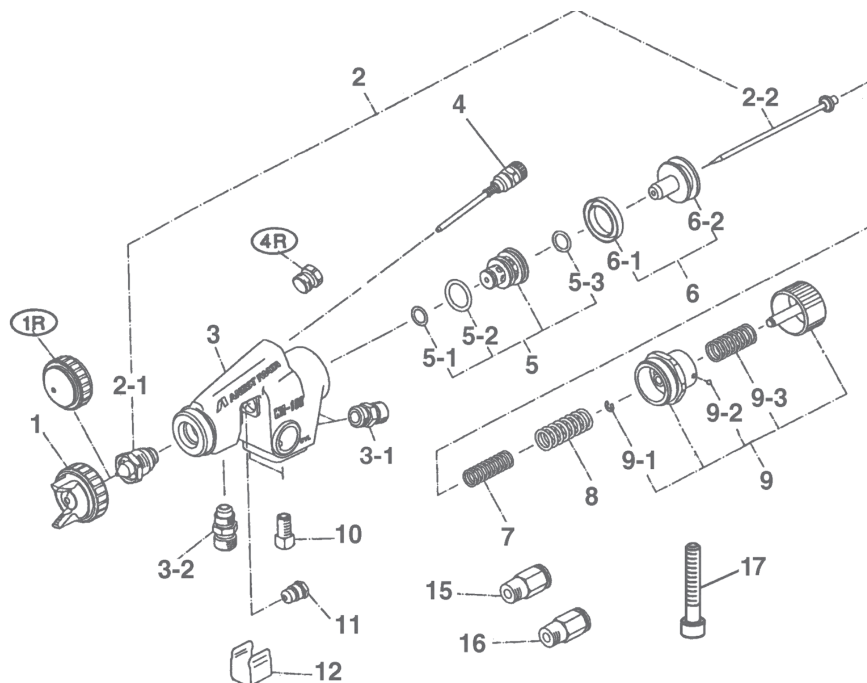
	ø 1,2	ø 1,2	€
LPA-200-122 Automatic Spray Gun	13187000	13187004	984,50
LPA-200-S5-12 P Automatic Spray Gun	-	13187070	
AIR CAP SET	G2 93822601	G4 93854580B	213,50
FLUID NOZZLE & NEEDLE SET	93826620		151,50
FLUID NOZZLE & NEEDLE SET	-	93638570	155,60

The LPA-200 is a full-size type HVLP automatic spray gun for automated painting equipment, reciprocators or robotic painting. The LPA-200 allows the users to accommodate multiple applications. The fluid passages of this version are made of stainless steel and are suitable for spraying waterborne and solvent borne materials consistently.

# SPARE PARTS



GENERAL PURPOSE



REF.	CODE	DESCRIPTION	WA-101	LPA-200	€	REF.	CODE	DESCRIPTION	WA-101	LPA-200	€
1	see left	AIR CAP SET E2P	X		98,40	7	03514580	NEEDLE SPRING	X	X	5,80
1	see left	AIR CAP SET E1	X		99,10	8	03513580	PISTON SPRING	X	X	7,30
1	see left	AIR CAP SET WA101R	X		99,10	9	93508680	FLUID ADJUSTMENT SET	X	X	189,50
1	see left	AIR CAP SET H2	X		99,10	9-1	03912030	E STOPPER (2 pcs./1 pk.)	X	X	4,50
1	see left	AIR CAP SET G2 - G4		X	213,50	9-2	03914730	BALL (2 pcs./1 pk.)	X	X	1,80
2	see left	NOZZLE + NEEDLE SET	X		151,50	9-3	03104420	FLUID ADJ. SPRING	X	X	10,70
2	see left	NOZZLE + NEEDLE SET		X	155,60	10	03811580	BOLT SET	X	X	32,20
3-1	03502620	AIR NIPPLE G 1/4"	X	X	11,70	11	93810620	NEEDLE PACKING SET	X	X	32,30
3-2	03515600S	SPECIAL FLUID NIPPLE (AISI 303) G 1/4" Special	X	X	20,00	12	93522581	COVER	X	X	19,30
3-2	03584530	FLUID NIPPLE G 1/4"	X	---	19,50	15	06801162	HALF UNION ø 6 mm	X	X	20,30
3-2	03515600	FLUID NIPPLE G 3/8"	---	X	28,50	16	06801182	HALF UNION ø 8 mm	X	X	20,30
4	93801621	SPREAD ADJ. SET	X	---	32,60		93834580	AIR VALVE SEAT AXIS TOOL	X	X	394,80
4	93812640	PATTERN ADJ. SET for Remote Control	X	X	350,30		03576530	AIR CAP "L" PACKING BLACK	X	X	4,90
4	93812621	PATTERN ADJ. SET	---	X	39,80		03512600	AIR CAP L PACKING - black	---	X	5,60
4R	93625370	BLANK SCREW	X	---	26,50		03810621M	NEEDLE PACKING FOR UV	X	X	109,40
5	03805620	AIR VALVE SEAT SET	X	X	72,50		93858620	FLUID ADJ. KNOB (Single Step Form)	X	X	211,20
5-1; 5-2; 5-3	03849620	'O' RING SET	X	X	15,70		W2COM6163	BRUSHES (5 pcs./ 1pk.)	X	X	12,80
6-1	93903441	PISTON PACKING SET (2 pcs./1 pk.)	X	X	26,00		930171A0	UNIVERSAL SPANNER	X	X	8,80
6-2	03511580	PISTON	X	X	65,20						



# WA-1218 | WA-0915 | WA-0609

## FEATURES



High Transfer Efficiency    Low Overspray    Precise Pattern Control    General Application    Special Purpose



This Automatic Spray Gun with Extension Nozzle, is designed for internal paint application by use of automatic coating equipment. Available in three different pipe length and equipped with three different pipe diameters.

## TECHNICAL DATA

• Air Nipple: G1/4"    • Fluid Nipple: G1/4"

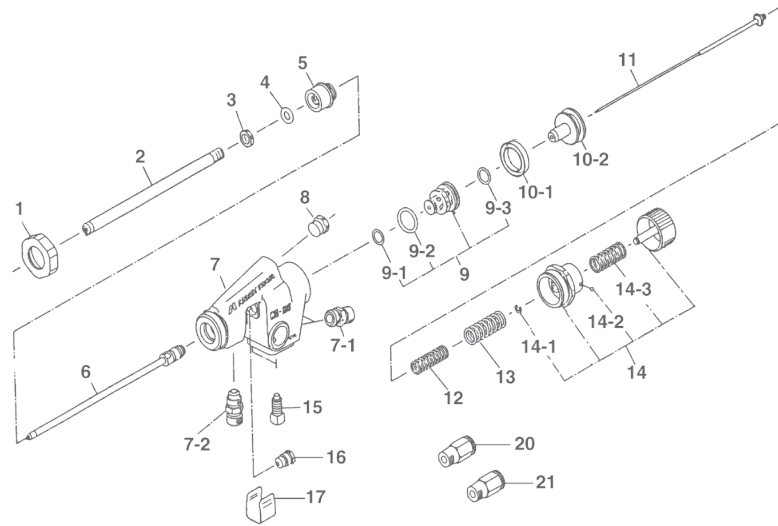
model name	ø mm	bar*	ml/min	NI/min	mm (in)
WA-1218 with Extension Nozzle (180 mm ø 12 mm)					
WA-1218	0.6	3.0	17	73	48
WA-0915 with Extension Nozzle (150 mm ø 09 mm)					
WA-0915	0.5	3.0	9	55	36
WA-0609 with Extension Nozzle (90 mm ø 05 mm)					
WA-0609	0.5	3.0	6	48	32

MODEL	Pipe Length mm	Pipe Diameter mm
WA-1218	180	12
WA-0915	150	09
WA-0609	90	05

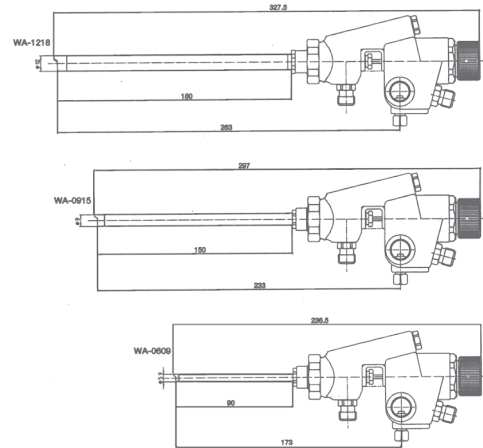
\*Suggested gun inlet pressure during spraying.

## ORDER INFORMATION

	WA-1218	WA-0915	WA-0609	REF.	
	ø 0,6	ø 0,5	ø 0,5		€
Automatic Spray Gun	13611000	13611010	13611020		1529,60
<b>AIR PIPE SET</b>	93839620	93842620	93845620	2	256,70
<b>FLUID PIPE SET</b>	93840620	93843620	93846620	6	215,00
<b>FLUID NOZZLE &amp; NEEDLE SET</b>	93841620	-	93847620	11	173,90
<b>FLUID NOZZLE &amp; NEEDLE SET</b>	-	93844620	-	11	177,60



### DIMENSIONS:

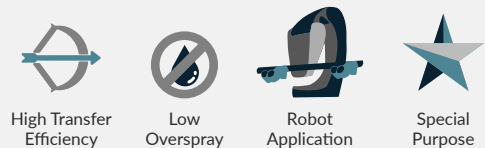


REF.	CODE	DESCRIPTION		€	REF.	CODE	DESCRIPTION		€
1	03850620	COVER		78,80	10-1	93903441	PISTON PACKING SET	(2 pcs./1 pk.)	26,00
3	03543620	HEX. NUT	WA 0915	24,80	10-2	03511580	PISTON		65,20
3	03550620	HEX. NUT	WA 0609	24,80	12	03514580	NEEDLE SPRING		5,80
3	03535620	HEX. NUT	WA 1218	24,80	13	03513580	PISTON SPRING		7,30
4	06637609	'O' RING	WA 0915	9,10	14	93508680	FLUID ADJUSTMENT SET		189,50
4	06637696	'O' RING	WA 0609	9,10	14-1	03912030	E STOPPER	(2 pcs./1 pk.)	4,50
4	06637612	'O' RING	WA 1218	9,20	14-2	03914730	BALL	(2 pcs./1 pk.)	1,80
5	03545620	AIR PIPE SEAT	WA 0915	77,70	14-3	03104420	FLUID ADJ. SPRING		10,70
5	03552620	AIR PIPE SEAT	WA 0609	77,70	15	03811580	BOLT SET		32,20
5	03538620	AIR PIPE SEAT	WA 1218	77,70	16	93810620	NEEDLE PACKING SET		32,30
7-1	03502620	AIR NIPPLE	G 1/4"	11,70	17	93522581	COVER		19,30
7-2	03584530	FLUID NIPPLE	G 1/4" - 1/4"	19,50		W2COM6163	BRUSHES	(5 pcs./1 pk.)	12,80
7-2	03515600S	SPECIAL FLUID NIPPLE (AISI 303)	G 1/4" - G 3/8"	20,00	20	06801162	HALF UNION ø INNER 6 mm		20,30
8	93625370	BLANK SCREW		26,50	21	06801182	HALF UNION ø INNER 8 mm		20,30
9	03805620	AIR VALVE SEAT SET		72,50		93834580	AIR VALVE SEAT AXIS TOOL		394,80
9-1, 9-2, 9-3	03849620	'O' RING SET		15,70					



# TOF-50 | TOF-50R For mold release agents

## FEATURES



## TOF-50

Compact Mold Release Agent Spray Gun available in two versions with flat pattern (TOF-50) & with round pattern (TOF-50R). Ideal for release agents spraying in the Die Casting Molds, Rubber, Plastic Molds and Sport Shoes Sole Industry.

## TECHNICAL DATA

Connection hose: Outside  $\varnothing$  6 mm - Inside  $\varnothing$  4 mm

model name	$\varnothing$ mm	cap	bar*	ml/min	NI/min	mm (in)	
<b>TOF-50 with FLAT PATTERN</b>							
TOF-50-022P	0.2	E2	1.0	20	50	120	
TOF-50-032P	0.3			50		140	
TOF-50-042P	0.4			130		150	
TOF-50-062P	0.6			180			
TOF-50-082P	0.8			220			
TOF-50-102P	1.0			280			
TOF-50-122P	1.2			350		180	
TOF-50-142P	1.4	E5	1.5	500	65	230	
<b>TOF-50R with ROUND PATTERN</b>							
TOF-50R-022P	0.2	1	0.5	20	20	40	
TOF-50R-032P	0.3			50			30
TOF-50R-042P	0.4			130			
TOF-50R-062P	0.6			1.5	180	40	70
TOF-50R-082P	0.8			2.0	220	50	
TOF-50R-102P	1.0			2.5	280	55	
TOF-50R-122P	1.2			3.5	350	75	
TOF-50R-142P	1.4	500					

\*Suggested gun inlet pressure during spraying.

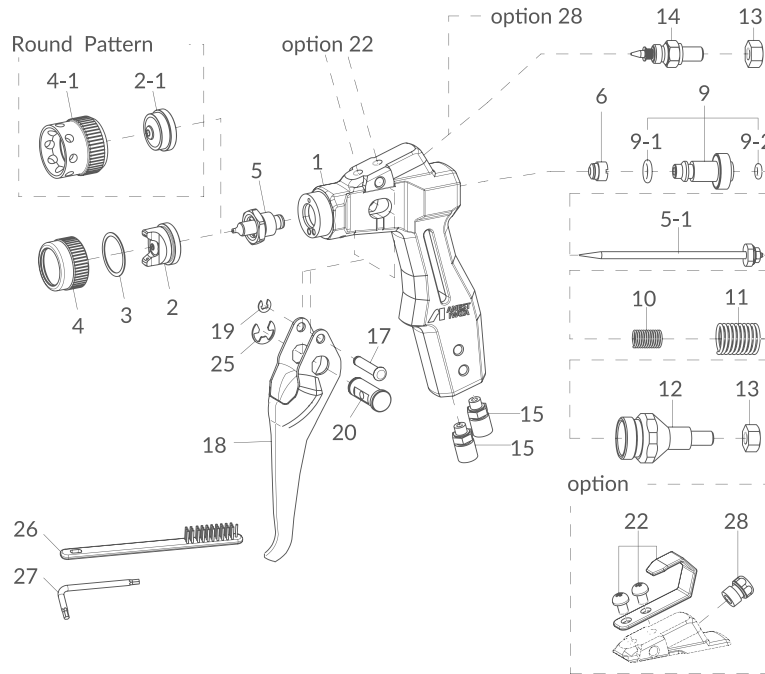
## TOF-50 Flat Pattern

## ORDER INFORMATION

	$\varnothing$ 0,2	$\varnothing$ 0,3	$\varnothing$ 0,4	$\varnothing$ 0,6	$\varnothing$ 0,8	$\varnothing$ 1,0	$\varnothing$ 1,2	$\varnothing$ 1,4	REF.	€
TOF-50 FLAT PATTERN	13608920	13608940	13608880	13608860	13608960	13608980	13609000	13609120	-	291,30
TOF-50R ROUND PATTERN	13609040	13609050	13609060	13609070	13609080	13609090	13609100	13609110	-	291,30
<b>AIR CAP SET - TPF-50</b>	93557600							93021960	1	81,10
<b>AIR CAP SET - TOF-50R</b>	93030380							93021970	1-2	81,10
<b>FLUID NOZZLE &amp; NEEDLE</b>	93030930	93031220	93030820	93030780	93030990	93031040	93031120	93031170	5 + 5-1	110,20



# SPARE PARTS

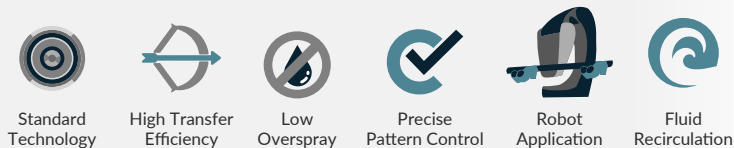


REF.	CODE	DESCRIPTION	€
2	see left	AIR CAP SET	81,10
2-1	see left	AIR CAP SET (Round Pattern)	81,10
5 + 5-1	see left	NOZZLE + NEEDLE SET	110,20
3	03558600	PACKING	3,20
4	03559600	COVER	20,10
4-1	93030370	CAP GUARD	47,00
6	93030411	NEEDLE PACKING SET	26,50
9	93030800	PISTON ASSY	50,30
9-1	96997086	'O' RING	20,40
9-2	96997085	'O' RING	12,50
10	93030630	FLUID NEEDLE SPRING	8,70
11	93030640	PISTON SPRING	8,70
12	93030810	FLUID ADJ. ASSY	69,30
13	96361061	HEXAGON NUT	1,70
14	93030710	PATTERN ADJ. SET	43,10
15	9MS-5H-6	HOSE NIPPLE	21,60
17	93030660	TRIGGER STUD	7,30
18	93030651	TRIGGER	35,80
19	96612025	E STOPPER	2,90
20	93030591	PUSHING BAR	21,60
25	96612050	E STOPPER	4,30
26	W2COM6163	BRUSHES (5 pcs./1 pk.)	12,80
27	96991305	HEXAGON WRENCH	4,30
22 Opt.	93018920	HOOK SET	21,60
28 Opt.	93027880	PLUG	15,70



# WRA-101 S9 | WRA-101 S9N

## FEATURES



Compact high-performance automatic spray guns with differentiated air adjustments: atomization and fan air. Possibility of paint recirculation. The compact body is easy to install in limited space. Ideal to be used with coating robots or other types of apparatus such as automatic coating equipment. Available in two version with or without Micro-gauge.

## WRA-101 S9 AUTOMATIC SPRAY GUN SERIES WITH MICROGAUGE

### TECHNICAL DATA

• Air Nipple: Rc 1/4" • Fluid Nipple: Rc 1/4"

model name	ø mm	cap	bar*	ml/min	NI/min	mm (in)
WRA-101-S9-04P	0.4	E2	1.1	20	150	35
WRA-101-S9-06P	0.6					70
WRA-101-S9-10P	1.0					100

\*Suggested gun inlet pressure during spraying.

### ORDER INFORMATION

	ø 0,4	ø 0,6	ø 1,0	REF.	€
WRA-101-S9 with Microgauge Automatic Spray Gun	13060071	13060081	13060091		2537,40
AIR CAP SET - E2		93557600		1	81,10
FLUID NOZZLE & NEEDLE SET	93506670	93507670	93508670	2	512,30

## WRA-101 S9N AUTOMATIC SPRAY GUN SERIES WITHOUT MICROGAUGE

### TECHNICAL DATA

• Air Nipple: Rc 1/4" • Fluid Nipple: Rc 1/4"

model name	ø mm	cap	bar*	ml/min	NI/min	mm (in)
WRA-101-S9N-04P	0.4	E2	1.1	20	150	35
WRA-101-S9N-06P	0.6					70
WRA-101-S9N-10P	1.0					100

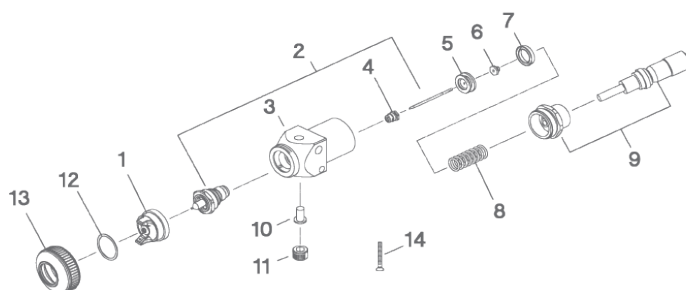
\*Suggested gun inlet pressure during spraying.



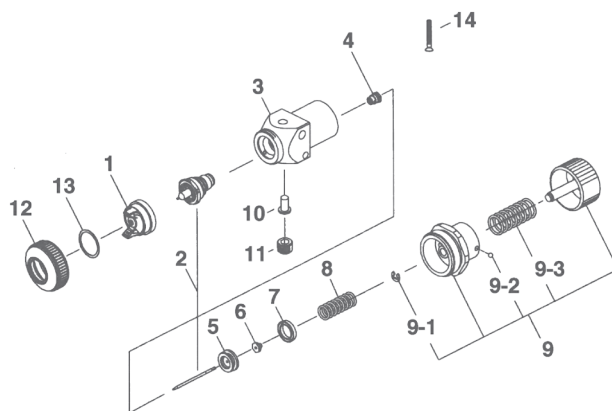
### ORDER INFORMATION

	ø 0,4	ø 0,6	ø 1,0	REF.	€
WRA-101-S9N without Microgauge Automatic Spray Gun	13060120	13060130	13060140		3161,20
AIR CAP SET - E2		93557600		1	81,10
FLUID NOZZLE & NEEDLE SET	93506670	93507670	93508670	2	512,30

## WRA-101 S9 WITH MICROGAUGE



## WRA-101 S9N WITHOUT MICROGAUGE

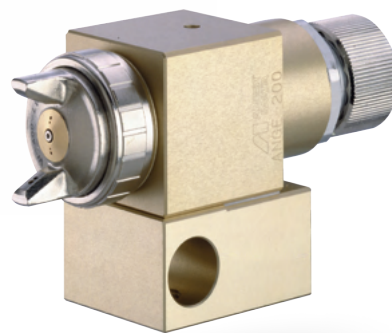
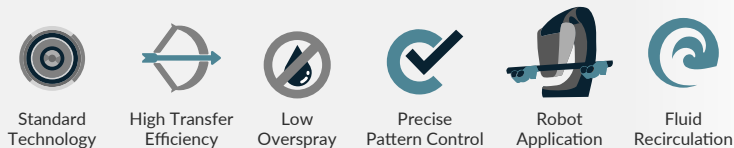


REF.	CODE	DESCRIPTION	WRA-101-S9	WRA-101-S9N	€
4	03847580	NEEDLE PACKING SET	X	X	131,10
4	03847581M	NEEDLE PACKING SET FOR UV	X	X	130,60
5	03629570	PISTON	X	X	76,30
6	03455230	NUT	X	X	18,80
7	93903441	PISTON PACKING SET (2 pcs./1 pk.)	X	X	26,00
8	04003880	PISTON SPRING	X	X	68,30
8	WRA-200-S3-1B	PISTON SPRING (SPECIAL)	X	X	190,00
9	93562620	(S9) FLUID ADJUSTMENT SET WITH MICROGAUGE	X	-	1 367,80
9	93508680	(S9N) FLUID ADJUSTMENT SET	-	X	189,50
9-1	03912030	E STOPPER (2 pcs./1 pk.)	-	X	4,50
9-2	03914730	BALL (2 pcs./1 pk.)	-	X	1,80
9-3	03104420	FLUID ADJ. SPRING	-	X	10,70
10	03526620	PLUG	X	X	41,20
11	06990440	PLUG WITH HEXAGON HOLE	X	X	15,90
12	9WA-100-S3B-44	COVER	X	X	381,90
13	03558600	PACKING	X	X	3,20
14	06172529	SCREW	X	X	1,00



# WRA-200 S17 WB | WRA-200 S8

## FEATURES



Full size high performance automatic spray gun with differentiated air adjustments: atomization and fan air. Possibility of paint recirculation. Ideal for applications requiring precise spray pattern control or fluid circulation. Fluid adjustment with 88 positions. Available in two models: Standard and Water Base version.

## WRA-200 AUTOMATIC SPRAY GUN SERIES

### TECHNICAL DATA

• Air Nipple: Rc 1/8" • Fluid Nipple: Rc 1/8"

model name	ø mm	cap	bar*	ml/min	NI/min	mm (in)
WRA-200-S8	1.2	LV2	2.4	500	530	400
WRA-200-S17-08P	0.8	WB1	1.5	150	420	200
WRA-200-S17-10P	1.0			200		240
ERA-200-S17-12P	1.2			250		260

\*Suggested gun inlet pressure during spraying.

### WRA-200 S17 WB for Water Based Paint

#### ORDER INFORMATION

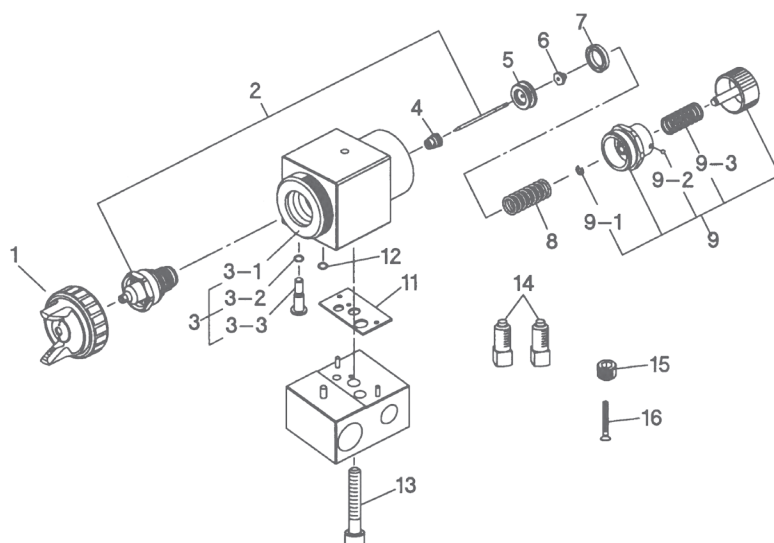
	ø 0,8	ø 1,0	ø 1,2	ø 1,4	ø 1,6	REF.	€
WRA-200-S17 WB Automatic Spray Gun	13060350	13060360	13060370	-	-		2059,20
AIR CAP SET - WB1	93609620					1	124,70
FLUID NOZZLE & NEEDLE SET	93893620	93894620	93895620	93665620	93666620	2	281,30

### WRA-200 S8 Standard Version

#### ORDER INFORMATION

	ø 1,2	REF.	€
WRA-200 S8 Automatic Spray Gun	13060170		1865,50
AIR CAP SET - G2	93822601	1	213,50
AIR CAP SET - LV2	93830610B	1	110,70
AIR CAP SET - G2P	93818610B	1	110,70
FLUID NOZZLE & NEEDLE SET	93834620	2	134,30

## WRA-200



REF.	CODE	DESCRIPTION	€
3-2	96996121	'O' RING	20,60
3-3	93570630	PLUG	22,70
4	03847580	NEEDLE PACKING SET	131,10
4	03847581M	NEEDLE PACKING SET FOR UV	130,60
5	03629570	PISTON	76,30
6	03455230	NUT	18,80
7	93903441	PISTON PACKING SET (2 pcs./1 pk.)	26,00
8	04003880	PISTON SPRING	68,30
9	93508680	FLUID ADJUSTMENT SET	189,50
9-1	03912030	E STOPPER (2 pcs./1 pk.)	4,50
9-2	03914730	BALL (2 pcs./1 pk.)	1,80
9-3	03104420	FLUID ADJ. SPRING	10,70
11	9ANGE-200-9	MANIFOLD PACKING	28,60
12	96996122	'O' RING FOR FLUID BLOCK	28,60
13	06350635	SCREW WITH HEX. HOLE	1,50
14	03811580	FIXING BOLT SET	32,20
15	06990440	PLUG	15,90
16	06172529	SCREW	1,00



# WA-M220 SERIES

## FEATURES



Standard Technology



High Transfer Efficiency



Low Overspray



Precise Pattern Control



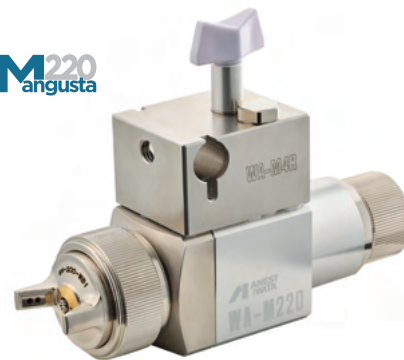
Robot Application



Easy Removal



Easy Maintenance



**WA-M220**  
with **Manifold**

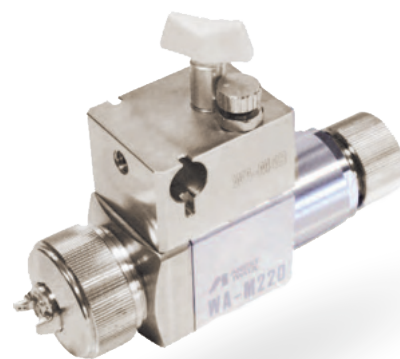
Premium Quality Automatic Spray Gun equipped with the exclusive Split Nozzle™ Technology. High air atomization thanks to the latest air caps developed by ANEST IWATA. Capable to spraying the most difficult water-based and solvent-based materials with reduced overspray. Significant reduction in downtime, thanks to the quick disconnection and connection system. Ideal to be installed in different application lines such as: special machines, rotary machines and robotics and other automatic installations. Available with small atomizer.

## TECHNICAL DATA

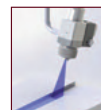
• Air & Fluid Manifold Connection: Rc 1/8"

model name	ø mm	cap	bar*	ml/min	NI/min	mm (in)
<b>WA-M220 with STANDARD VERSION (without MANIFOLD)</b>						
WA-M220	0.4 - 0.6 - 0.8 - 1.0 - 1.2	LV2	2.4	100	360	155
WA-M220	0.4 - 0.6 - 0.8 - 1.0 - 1.2 1.5 - 1.6	GP2		500	530	400
<b>WA-M220 WB WATER BASED VERSION (without MANIFOLD)</b>						
WA-M220 WB-081	0.8	WB1	1.5	200	340	300
WA-M220 WB-101	1.0			250		320
WA-M220 WB-121	1.2			300		330
WA-M220 WB-141	1.4			340		340
WA-M220 WB-161	1.6			350		350
<b>WA-M220 L with SMALL SIZED ATOMIZER (without MANIFOLD)</b>						
WA-M220-L044	0.4	E4	0.8	10	60	55
WA-M220-L064	0.6			30		80
WA-M220-L084	0.8			45		100
WA-M220-L104	1.0			60		130
WA-M220-L124	1.2			75		140

\*Suggested gun inlet pressure during spraying.



**WA-M220 L**  
with **Manifold**  
and **Small Atomizer**



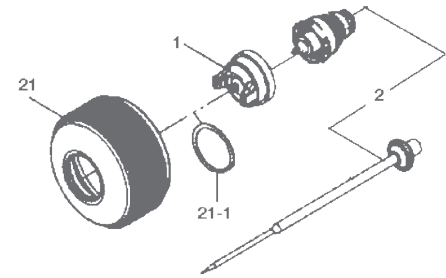
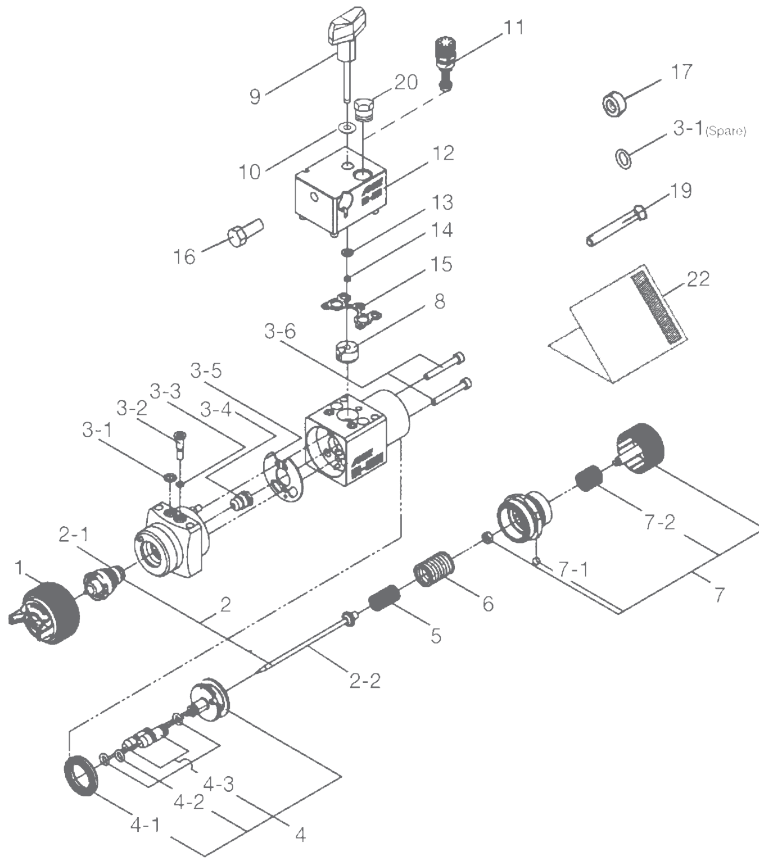
## ORDER INFORMATION

	ø 0,4	ø 0,6	ø 0,8	ø 1,0	ø 1,2	ø 1,5	ø 1,6	REF.	€
WA-M220 (LV2) without MANIFOLD	13640320	13640330	13640060	13640070	13640080	-	-	-	893,80
WA-M220 (G2P) without MANIFOLD	13640360	13640370	13640010	13640020	13640000	13640340	13640350		894,50
<b>AIR CAP SET - LV2</b>	93006500					-	-	1	88,80
<b>AIR CAP SET - G2P</b>	93006460							1	117,60
<b>FLUID NOZZLE &amp; NEEDLE SET</b>	93006850	93006860	93006660	93006670	93006650	93006680	93006870	2	102,00
	ø 0,8	ø 1,0	ø 1,2	ø 1,4	ø 1,6			REF.	
WA-M220 WB without MANIFOLD	13640400	13640410	13640420	13640430	13640440				893,80
<b>AIR CAP SET - WB1</b>	93006520							1	134,30
<b>FLUID NOZZLE &amp; NEEDLE SET</b>	93006750	93006760	93006770	93006780	93006790			2	172,80
	ø 0,4	ø 0,6	ø 0,8	ø 1,0	ø 1,2			REF.	
WA-M220 L without MANIFOLD	13640551	13640561	13640571	13640581	13640591			-	1252,00
<b>AIR CAP SET - E4</b>	93662600							1	79,30
<b>FLUID NOZZLE &amp; NEEDLE SET</b>	93984890	93984900	93984910	93984920	93984930			2	203,90
<b>AIR CAP CONVERSION KIT with Small Sized Atomizer for WA-M 220L</b>	ø 0,4	ø 0,6	ø 0,8	ø 1,0	ø 1,2			REF.	
	93984830	93984840	93984850	93984860	93984870			21+21-1+1+2	363,50

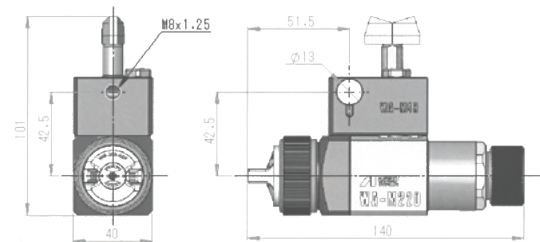
# SPARE PARTS



## WA-M220L SMALL ATOMIZER



### DIMENSIONS:



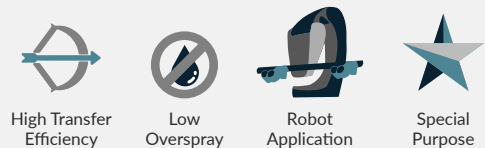
REF.	CODE	DESCRIPTION	€
21	93984880	AIR CAP COVER SET - WA-M220L	154,20
21-1	03512600	AIR CAP PACKING - WA-M220L	5,60
	13640800	MANIFOLD UNIT SET	348,00
3-1	96996122	'O' RING - (for fluid block)	28,60
3-2	93570630	PLUG	22,70
3-3	96996121	'O' RING (for plug)	20,60
3-4	93810620	NEEDLE PACKING SET	32,30
3-5	93008640	SPRAY GUN UNIT SEAL	25,50
3-6	96365043	HEX SOCKET HEAD BOLT	15,70
4	93008650	PISTON SET	195,50
4-1	93903441	PISTON PACKING SET (2 pcs./1 pk.)	26,00
4-2	96631005	'O' RING	2,10
4-3	93008670	AIR VALVE	63,70
5	03514580	NEEDLE SPRING	5,80
6	03513580	PISTON SPRING	7,30

REF.	CODE	DESCRIPTION	€
7	93565630	FLUID ADJUSTMENT SET	119,70
7-1	96666015	BALL	10,70
7-2	03104420	FLUID ADJUSTMENT SPRING	10,70
8	93010400	FILLER NUT BLOCK	52,90
9	03009680	WING BOLT SET	50,30
10	03009690	WASHER	13,50
11	03009620	PATTERN ADJ. SET	16,10
13	03009580	TURN SHAFT WASHER	5,50
14	W3COM2051	RETAINING RING	1,80
15	03009640	MANIFOLD SEAL	2,50
16	W2COM6056	HEX. BOLT M8x10 INOX	X
17	W2COM6057	PLUG RC1/8" INOX	X
19	06172529	SCREW	1,00
20	93625370	HEX. PLUG	26,50



# TOF-5B | TOF-5RB | TOF-6B | TOF-6RB

## FEATURES



## TOF-5B/TOF-6B

The automatic mini-atomizers TOF Series have been designed to atomize liquids such as water, oil, ink, adhesives and other chemicals. The low overspray and the soft yet perfectly controllable fan pattern of this series make it possible to apply thinnest release agent films. This series is available with different options, with Standard or Round Patterns models, and with 2-ways or 3-ways versions.

## TECHNICAL DATA

Air nipple: G 1/8" | Fluid nipple: G 1/8"

model name	ø mm	cap	ml/min	Nl/min	mm (in)		
				FAN	ROUND	FAN	ROUND
TOF-5B/5RB   TOF-6B/6RB	0.5	05	60	60	40	200	50
TOF-5B/5RB   TOF-6B/6RB	1.0	10	250	80	50	250	70
TOF-5B/5RB   TOF-6B/6RB	1.3	13	360	100	55	350	80
TOF-5B/5RB   TOF-6B/6RB	2.0	20	600	140	85	400	90



**TOF-5B & TOF-5RB**  
Simplified Model - **2-ways**

**TOF-6B & TOF-6RB**  
Standard Model **3-ways**

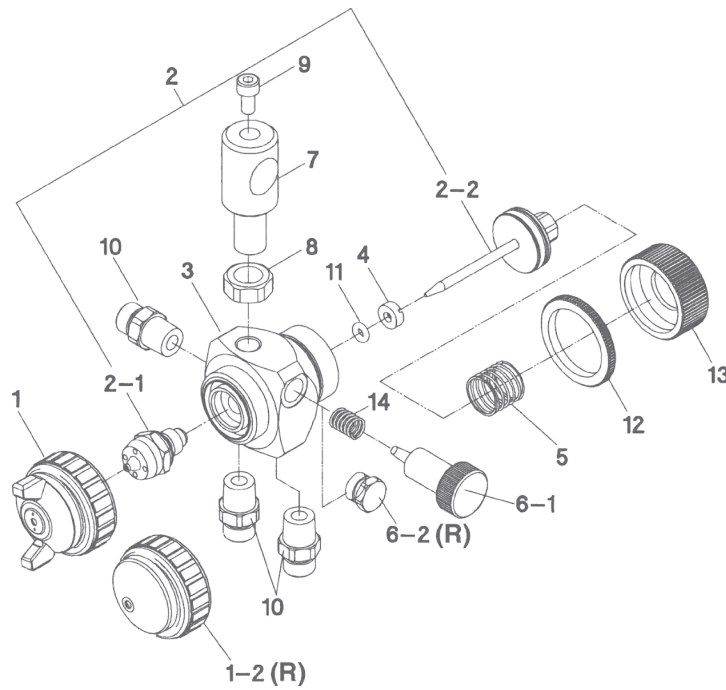


**TOF-5RB & TOF-6RB**  
With **Round Pattern**

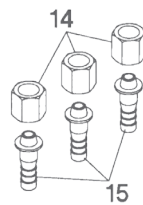
## ORDER INFORMATION

	ø 0,5	ø 1,0	ø 1,3	ø 2,0	REF.	€
TOF-5B AUTOMATIC SPRAY GUN	13608501	13608511	13608521	13608531		454,80
TOF-5RB AUTOMATIC SPRAY GUN	13608601	13608611	13608621	13608631		454,80
TOF-6B AUTOMATIC SPRAY GUN	13608551	13608561	13608571	13608581		502,70
TOF-6RB AUTOMATIC SPRAY GUN	13608651	13608661	13608671	13608681		502,70
<b>AIR CAP SET TOF-5B/6B</b>	93031982	93038982	93001982	93047982	1	91,20
<b>AIR CAP SET TOF-5RB/6RB</b>	93061982	93063982	93055982	93065982	1-2	94,80
<b>FLUID NOZZLE &amp; NEEDLE SET</b>	93002800	93002710	93002600	93002750	2	147,70





## PREVIOUS



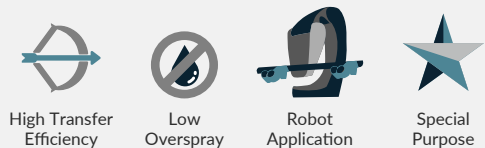
REF.	CODE	DESCRIPTION	€
4	93015980	O-RING SEAT	4,00
5	93195980	PISTON SPRING	6,80
6-1	93002650	PATTERN ADJ. SET	19,40
6-2	93057980	PLUG	12,70
7	93002671	HOLDER	33,10
8	03213981	HEXAGON NUT	9,30
9	96350612	BOLT	15,30
10	93023980	NIPPLE	12,30
11	96997085	O-RING	12,50
12	93024980	JAM NUT	21,50
13	93002680	FLUID ADJ. KNOB	29,90
14	93002660	SPRING	8,80

## SPARE PARTS of PREVIOUS VERSION

6-1	93016980	PATTERN ADJUSTMENT SET	26,20
14	93028980	NUT	8,00
15	93030980	JOINT	8,70

# SGA-3 SPECIAL PURPOSE

## FEATURES



## TECHNICAL DATA

Air nipple: G 1/4" | Fluid nipple: G 1/4"

model name	ø mm	cap	bar*	ml/min	NI/min	mm (in)
SGA-3	1.0	E1	2.5	95	80	250

\*Suggested gun inlet pressure during spraying.

## SGA-3

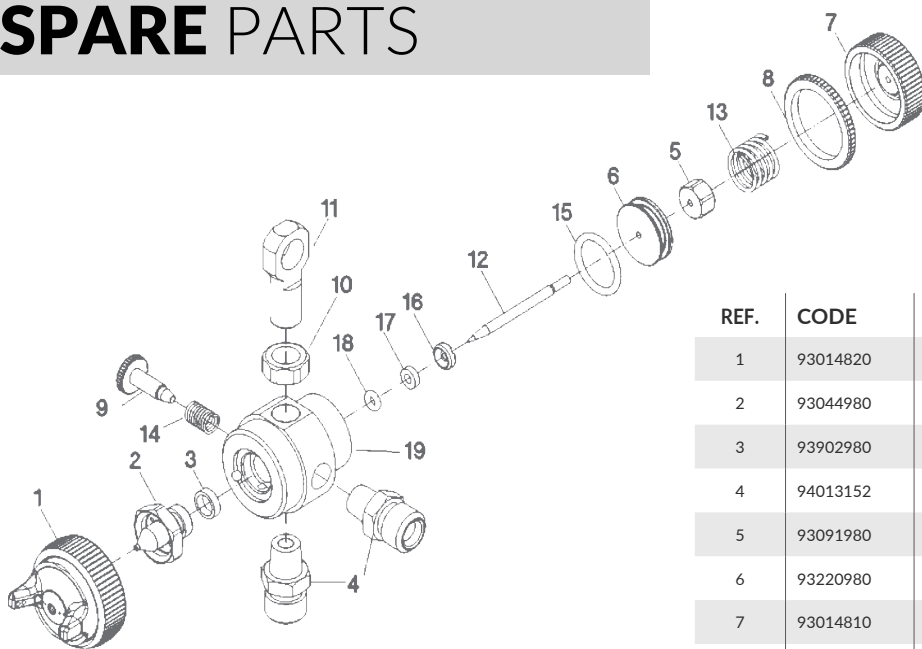
The automatic mini-atomizer SGA-3 for intermittent coating, has been designed to apply mold-release agent for metal mold castings and for applying mold-wash, anti-spatter agent, water, oil, paint, air-refresher and lubricant.

## ORDER INFORMATION

CODE	DESCRIPTION	€
SGA-3	AUTOMATIC SPRAY GUN	348,00

## KNURLING Air Cap Design

## SPARE PARTS

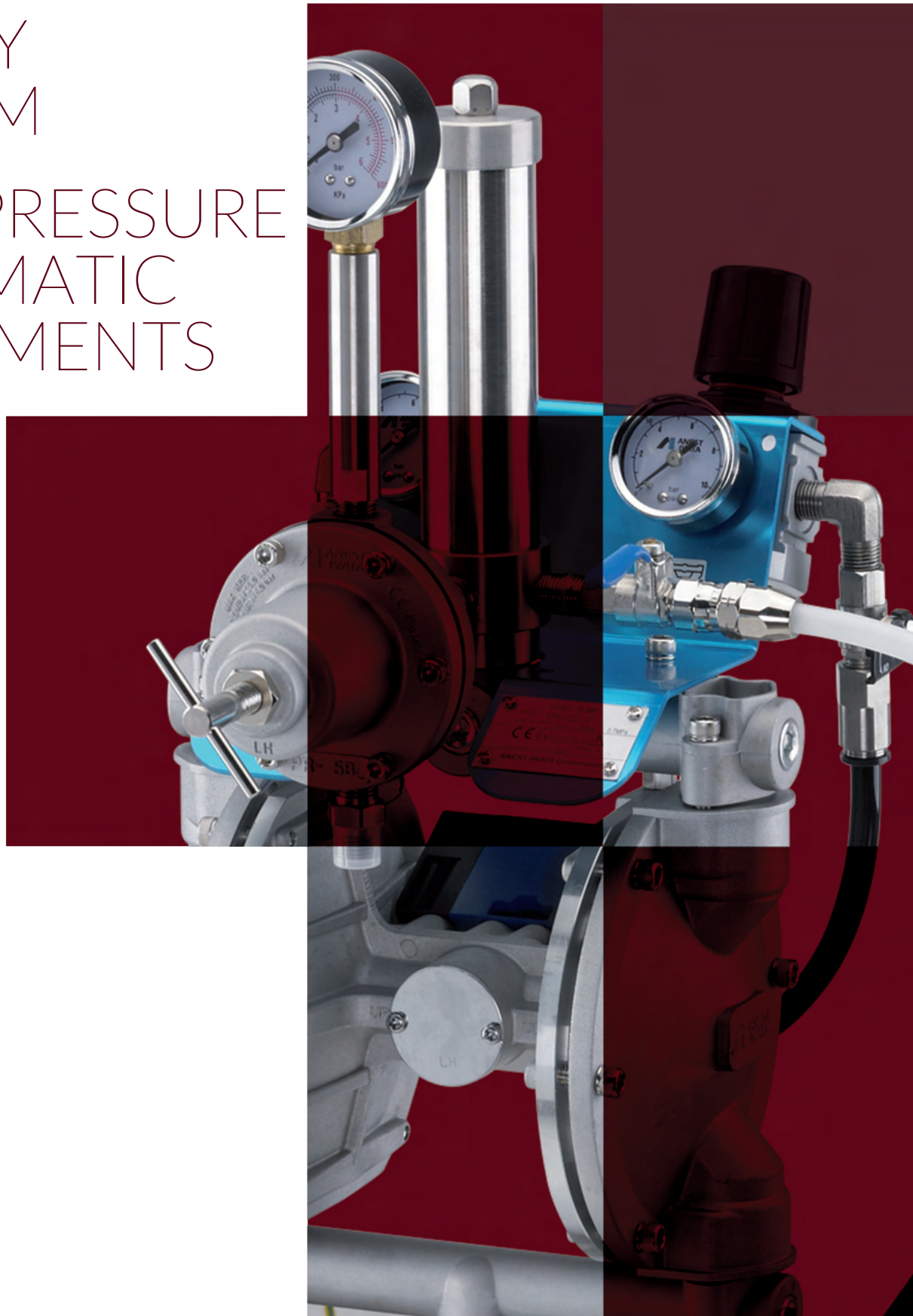


REF.	CODE	DESCRIPTION	€
1	93014820	AIR CAP SET	112,40
2	93044980	FLUID NOZZLE	119,90
3	93902980	PACKING SET (2 pcs.)	119,90
4	94013152	JOINT	28,90
5	93091980	NUT	8,75
6	93220980	PISTON	29,00
7	93014810	FLUID ADJ. KNOB	53,20
8	93024980	JAM NUT	21,50
9	93120981	SPREAD ADJ. VALVE	14,20
10	93213981	AHEXAGON NUT	9,30
11	93240981	BOLT	28,90
12	93060980	FLUID NEEDLE	19,90
13	93223980	SPRING	17,30
14	93248980	SPRING	7,50
15	93903980	O-RING (2 pcs.)	5,50
16	93093160	NEEDLE PACKING SEAT	14,30
17	93502540	BACK RING	2,90
18	96997085	O-RING	12,50

# 3

## PAINT SUPPLY SYSTEM

## LOW PRESSURE PNEUMATIC EQUIPMENTS



# DPS-120C and DPS-90G PUMP UNITS

## FEATURES



Diaphragm Paint Pumps for low pressure applications are ideally suited to General Industry sector requirements. Fully pneumatic pump control with double spool air circuit. Available in different in 3 versions (Aluminium; Aluminium Anodized and Stainless Steel)



## TECHNICAL DATA

		DDP-120B.TE	DDP-90F.TE
Ratio		1:1	
Paint Filter	Delivery Paint Filter	100 mesh	
	Fluid Suction Filter	50 mesh	
Max. Working Pressure		7.0 bar (0.7 MPa)	
Working Temperature		5-40 °C	
Fluid Output	at 30 cyc/min.	4.5 lt./min	1.5 lt./min
	at 200cyc/min. max	30 lt./min	10 lt./min
Paint Viscosity		85 sec./Ford#4	

## PUMP UNIT DDP-120B.TE



## PUMP UNIT DDP-90F.TE



## PAINT PRESSURE REGULATOR PR-5BL



## PUMP UNITS ASSEMBLY



On Stand



On Tank Mount



On Cart with Handle



On Wall Mount



On Cart with Hopper Set (6lt.)

# DPS-120C and DPS-90G



## ORDER INFORMATION

CONFIGURATION	CODE	MODEL	€	CODE	MODEL	€		
<b>ALUMINIUM</b>			<b>DPS-120 C</b>			<b>DPS-90 G</b>		
PUMP UNIT	14068690	DDP-120B.TE	1 072,50	14068660	DDP-90F.TE	867,30		
PUMP UNIT supplied on Stand	14069030	DPS-1201C.TE	1 907,50	14069000	DPS-901G.TE	1 780,40		
PUMP UNIT supplied on Tank Mount	14069110	DPS-1202C.TE	1 951,90	14069080	DPS-902G.TE	1 843,90		
PUMP UNIT supplied on Cart w/Dip Tube	14069190	DPS-1203C.TE	2 232,70	14069160	DPS-903G.TE	2 100,70		
PUMP UNIT supplied on Wall Mount	14069270	DPS-1204C.TE	2 001,00	14069240	DPS-904G.TE	1 867,90		
PUMP UNIT supplied on Cart w/Hopper Set	14069350	DPS-12036C.TE	2 260,20	14069320	DPS-9036G.TE	2 131,90		
PAINT PRESSURE REGULATOR	14608200	PR-5BL	344,30	14608200	PR-5BL	344,30		
<b>ALUMINIUM ANODIZED</b>			<b>DPS-120 C-WB</b>			<b>DPS-90 G-WB</b>		
PUMP UNIT	14068710	DDP-120B-WB.TE	1 191,40	14068680	DDP-90F-WB.TE	1 007,80		
PUMP UNIT supplied on Stand	14069050	DPS-1201C-WB.TE	2 152,00	14069020	DPS-901G-WB.TE	2 037,10		
PUMP UNIT supplied on Tank Mount	14069130	DPS-1202C-WB.TE	2 134,50	14069100	DPS-902G-WB.TE	2 013,10		
PUMP UNIT supplied on Cart w/Dip Tube	14069210	DPS-1203C-WB.TE	2 490,50	14069180	DPS-903G-WB.TE	2 373,80		
PUMP UNIT supplied on Wall Mount	14069290	DPS-1204C-WB.TE	2 259,20	14069260	DPS-904G-WB.TE	2 139,00		
PUMP UNIT supplied on Cart w/Hopper Set	14069370	DPS-12036C-WB.TE	2 387,50	14069340	DPS-9036G-WB.TE	2 272,30		
PAINT PRESSURE REGULATOR	14608220	PR-5BL-WB	358,70	14608220	PR-5BL-WB	358,70		
<b>STAINLESS STEEL VERSION</b>			<b>DPS-120 CN</b>			<b>DPS-90 GN</b>		
PUMP UNIT	14068700	DDP-120BN.TE	2 143,90	14068670	DDP-90FN.TE	1 569,20		
PUMP UNIT supplied on Stand	14069040	DPS-1201CN.TE	2 800,10	14069010	DPS-901GN.TE	2 472,60		
PUMP UNIT supplied on Tank Mount	14069120	DPS-1202CN.TE	2 824,10	14069090	DPS-902GN.TE	2 473,70		
PUMP UNIT supplied on Cart w/Dip Tube	14069200	DPS-1203CN.TE	3 179,00	14069170	DPS-903GN.TE	2 831,30		
PUMP UNIT supplied on Wall Mount	14069280	DPS-1204CN.TE	2 946,40	14069250	DPS-904GN.TE	2 598,50		
PUMP UNIT supplied on Cart w/Hopper Set	14069360	DPS-12036CN.TE	3 073,50	14069330	DPS-9036GN.TE	2 731,70		
PAINT PRESSURE REGULATOR	14608210	PR-5BLN	550,60	14608210	PR-5BLN	550,60		

## ORDER INFORMATION

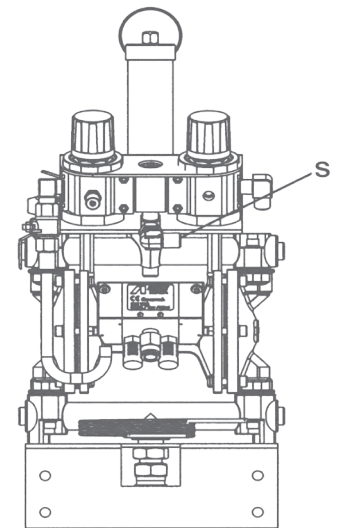
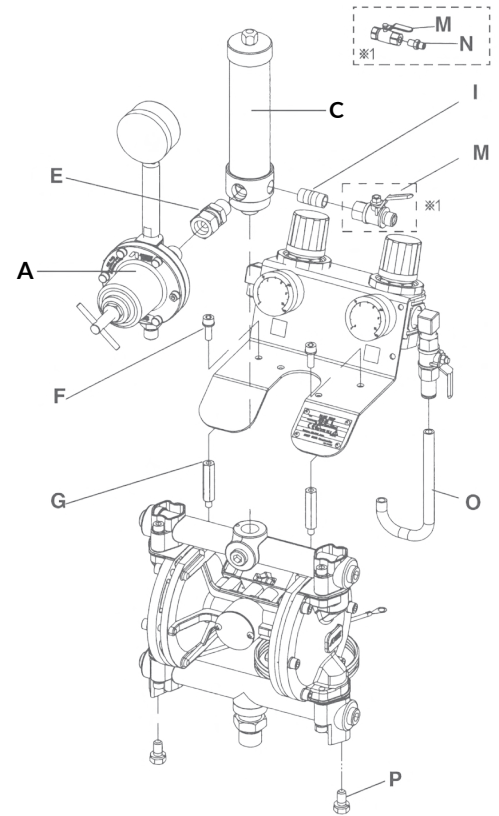
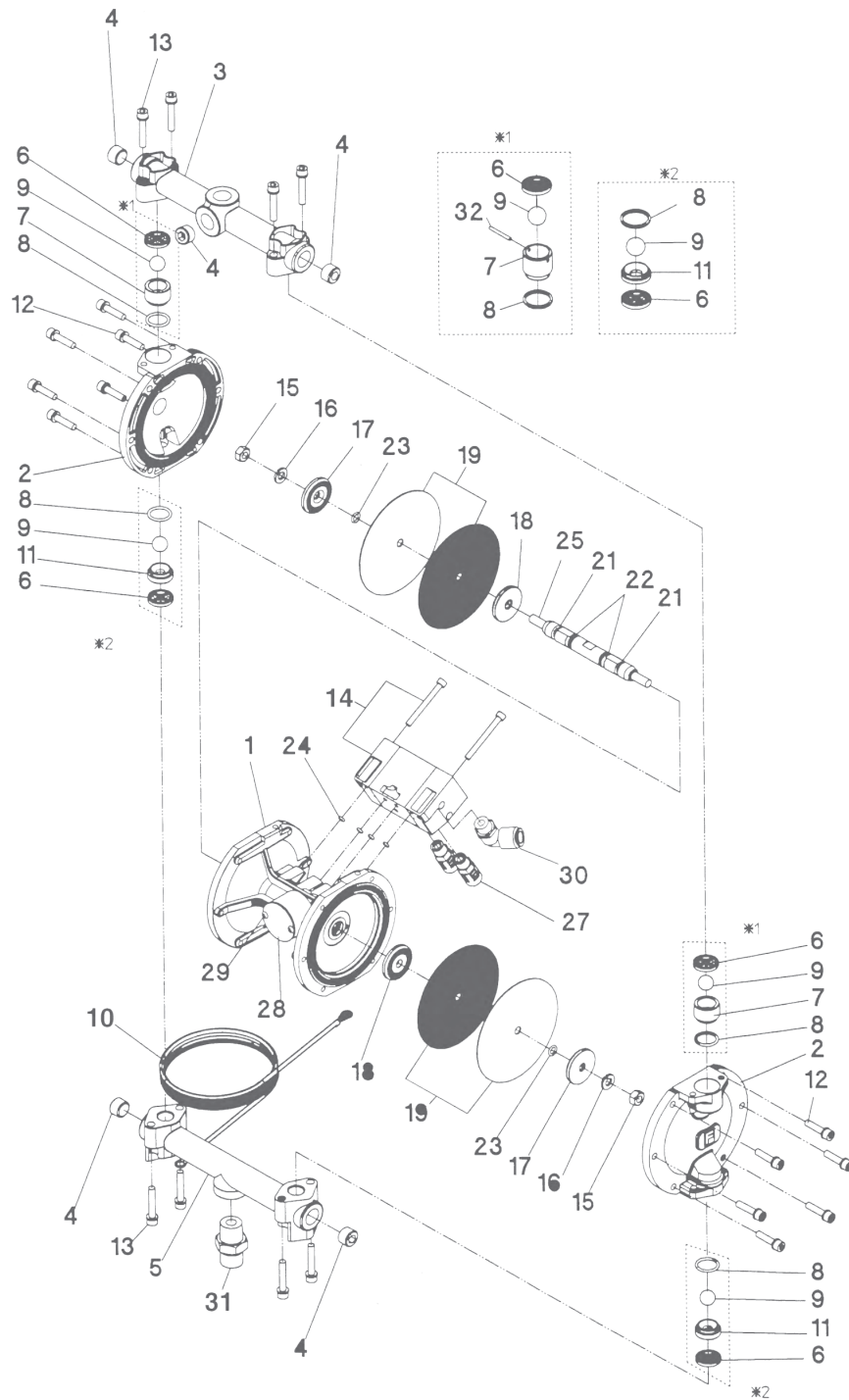
REF.	CODE	DESCRIPTION	FOR MODEL	€
<b>PUMP UNIT CONFIGURATION ACCESSORIES (see next page for drawing reference)</b>				
A	14608200	PAINT REGULATOR SET PR-5BL	for Aluminium	344,30
A	14608220	PAINT REGULATOR SET PR-5BL-WB	for Aluminium Anodized	358,70
A	14068210	PAINT REGULATOR SET PR-5BLN		550,60
C	94493020	PAINT FILTER SET		228,70
E	06859803	SWIVEL JOINT	for DPS 120-1C/-2C/-3C/-4C/-36C_DPS 90-1G/-2G/-3G/-4G/-36G	6,10
E	06859591	SWIVEL JOINT	for DPS 120-1CN/-2CN/-3CN/-4CN/-36CN and -WB_DPS 90-1GN/-2GN/3GN/-4GN/-36GN and -WB	57,90
F	06357501	HEX. SOCKET BOLT WITH WASHER		1,20
G	04493000	CONNECTING BOLT		15,20
I	06642002	NIPPLE		9,30
M	04432650	BALL VALVE		15,40
M	04433630	BALL VALVE	for DPS120-1C/-2C/-3C/-4C/-36C and DPS90-1G/-2G/-3G/-4G/-36G	45,50
N	04343310	JOINT G1/4"R1/4"	for DPS 120-1CN/-2CN/-3CN/-4CN/-36CN and -WB_DPS 90-1GN/-2GN/3GN/-4GN/-36GN and -WB	15,20
O	04494040	PIPE	for DPS 120-1CN/-2CN/-3CN/-4CN/-36CN and -WB_DPS 90-1GN/-2GN/-3GN/-4GN/-36GN and -WB	1,80
P	06994758	WASHER BOLT		0,70
S	06859563	ELBOW UNION	for DPS 120-4C/-4CN and DPS 90-4G/-4GN	15,20



# DPS-120C and DPS-90G

## PUMP UNIT ACCESSORIES

### PUMP UNIT SPARE PARTS



# SPARE PARTS



REF.	CODE	DESCRIPTION	Q.TY	DDP -90F	DDP -90FN	DDP -90F-WB	DDP -120B	DDP -120BN	DDP -120B-WB	€
1	94410622	MAIN BODY		X	X	X				199,80
1	94437632	MAIN BODY					X	X	X	269,30
2	94456582	LID		X						118,00
2	94414592	LID			X					194,00
2	94456640	LID				X				131,60
2	94439631	LID					X			123,50
2	94453660	LID						X		208,70
2	94439650	LID							X	128,30
3	94452640	UPPER ADAPTOR		X			X			121,90
3	94414650	UPPER ADAPTOR			X			X		169,70
3	94452650	UPPER ADAPTOR				X			X	117,20
4	06990413	HEXAGON SOCKET PLUG		X			X			4,50
4	06367202	HEXAGON SOCKET PLUG			X	X		X	X	9,80
5	94441630	LOWER ADAPTOR		X			X			123,50
5	94416592	LOWER ADAPTOR			X			X		184,60
5	94441640	LOWER ADAPTOR				X			X	128,60
6	04935620	PACKING SET	(2 pcs.)	X	X	X				14,40
6	94933290	PACKING SET	(2 pcs.)				X	X	X	20,30
7	04931630	EXHAUST VALVE	(2 pcs.)	X	X	X				51,50
7	94935290	EXHAUST VALVE	(2 pcs.)				X	X	X	65,40
8	04932630	'O'RING SET	(2 pcs.)	X	X	X				5,00
8	94930300	'O'RING SET	(2 pcs.)				X	X	X	4,20
9	04930630	STEEL BALL SET	(2 pcs.)	X	X	X				18,60
9	94934290	STEEL BALL SET	(2 pcs.)				X	X	X	36,00
10	04492830	GROUND WIRE		X	X	X	X	X	X	9,10
11	04933630	INTAKE VALVE	(2 pcs.)	X	X	X				52,30
11	94446630	INTAKE VALVE	(2 pcs.)				X	X	X	55,40
12	96357500	HEX. SOCKET BOLT WITH WASHER		X	X	X	X	X	X	2,10
13	96357502	HEX. SOCKET BOLT WITH WASHER		X	X	X	X	X	X	2,10
14	94490632	AIR OPERATING VALVE SET		X	X	X	X	X	X	167,60
15	06361081	HEX. NUT		X	X	X	X	X	X	1,20
16	06362080	SPRING WASHER		X	X	X	X	X	X	1,30
17	04414600	DIAPHRAGM HOLDER (OUTER)		X	X	X				19,30
17	94448630	DIAPHRAGM HOLDER (OUTER)					X	X	X	21,00
18	94453581	DIAPHRAGM HOLDER (INNER)		X	X	X				13,40
18	94449631	DIAPHRAGM HOLDER (INNER)					X	X	X	29,10
19	94931621	DIAPHRAGM SET	(2+2 pcs.)	X	X	X				79,30
19	94932301	DIAPHRAGM SET	(2+2 pcs.)				X	X	X	96,10
21	06996610	'Y'PACKING		X	X	X	X	X	X	9,30
22	06630011	'O'RING		X	X	X	X	X	X	1,80
23	06630008	'O'RING		X	X	X	X	X	X	1,30
24	06630004	'O'RING		X	X	X				0,70
24	06630006	'O'RING					X	X	X	0,70
25	04431590	ROD		X	X	X	X	X	X	162,00
27	04432590	MUFFLER		X	X	X	X	X	X	4,10
28	04456570	BLANKING COVER		X	X	X	X	X	X	13,40
29	06234002	TAPPING SCREW		X	X	X	X	X	X	0,70
30	06800202	ELBOW UNION		X	X	X	X	X	X	15,20
31	04427640	JOINT		X			X			13,10
31	04428640	JOINT			X	X		X	X	43,10
32	94444630	PIN					X	X	X	3,50



# DPS-70 C and DPS-70 CN PUMP UNITS

## FEATURES



Diaphragm Paint Pumps for low pressure applications are ideally suited to General Industry sector requirements. Fully pneumatic pump control with double spool air circuit. Available in different in 2 versions (Aluminium and Stainless Steel).

## TECHNICAL DATA

		DDP-70B.TE
Ratio		1:1
Paint Filter	Delivery Paint Filter	100 mesh
	Fluid Suction Filter	50 mesh
Max. Working Pressure		7.0 bar (0.7 MPa)
Working Temperature		5~40 °C
Fluid Output	at 200cyc/min. max	30 lt./min
Paint Viscosity		60 sec./Ford#4



## PUMP UNIT DDP-70B.TE



## PAINT PRESSURE REGULATOR PR-5BL



## PUMP UNITS ASSEMBLY





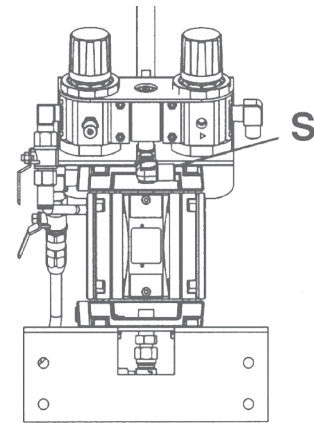
# DPS-70 C and DPS-70 CN



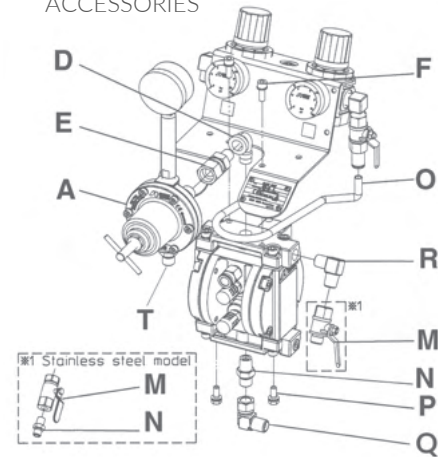
## ORDER INFORMATION

CONFIGURATION	CODE	MODEL	€
<b>ALUMINIUM</b>	<b>DPS-70 C</b>		
PUMP UNIT	14068640	DDP-70B.TE	691,90
PUMP UNIT supplied on Stand	14069060	DPS-701C.TE	1 456,40
PUMP UNIT supplied on Tank Mount	14069140	DPS-702C.TE	1 607,80
PUMP UNIT supplied on Cart w/Dip Tube	14069220	DPS-703C.TE	1 755,00
PUMP UNIT supplied on Wall Mount	14069300	DPS-704C.TE	1 524,80
PUMP UNIT supplied on Cart w/Hopper Set	14069380	DPS-7036C.TE	1 935,20
PAINT PRESSURE REGULATOR	14608200	PR-5BL	344,30
<b>STAINLESS STEEL VERSION</b>	<b>DPS-70 CN</b>		
PUMP UNIT	14068650	DDP-70BN.TE	1 210,70
PUMP UNIT supplied on Stand	14069070	DPS-701CN.NTE	1 970,10
PUMP UNIT supplied on Tank Mount	14069150	DPS-702CN.NTE	2 114,00
PUMP UNIT supplied on Cart w/Dip Tube	14069230	DPS-703CN.NTE	2 307,00
PUMP UNIT supplied on Wall Mount	14069310	DPS-704CN.NTE	2 068,60
PUMP UNIT supplied on Cart w/Hopper Set	14069390	DPS-7036CN.NTE	2 482,20
PAINT PRESSURE REGULATOR	14608210	PR-5BLN	550,60

"S" ELBOW UNION FOR AIR CONNECTION



ACCESSORIES



## ACCESSORIES ORDER INFORMATION

REF.	CODE	DESCRIPTION	FOR MODELS	€
<b>PUMP UNIT CONFIGURATION ACCESSORIES</b>				
A	14608200	PAINT REGULATOR SET PR-5BL	for Aluminium	344,30
A	14608210	PAINT REGULATOR SET PR-5BLN	for Stainless Steel	550,60
D	06646002	STREET ELBOW		30,40
E	06859557	MALE-FEMALE UNION	DPS 701C/702C/704C	15,20
E	06859558	MALE-FEMALE UNION	DPS 701CN/702CN/703CN/7036CN/704CN	57,70
F	06357501	HEX. SOCKET BOLT WITH WASHER		1,20
M	04432650	BALL VALVE	DPS 701C/702C/703C/704C/7036C	15,40
M	04433630	BALL VALVE	DPS 701CN/702CN/703CN/7036CN/704CN	45,50
N	04343310	JOINT G1/4" R1/4"		15,20
O	04492930	TUBE		1,50
P	06994756	WASHER BOLT		0,70
R	06859538	ELBOW UNION 1/4" M - 1/4" M	DPS 701C/702C/704C	6,10
Q	04435630	ELBOW UNION 1/4" M - 1/4" M	DPS 701CN/702CN/703CN/7036CN/704CN	45,30
S	06859563	ELBOW UNION Rc1/4" F - 1/4" M	DPS 704C/704CN	15,20
T	04492790	ELBOW UNION Rc 3/8" F - 3/8" M	DPS 702C/702CN	53,10

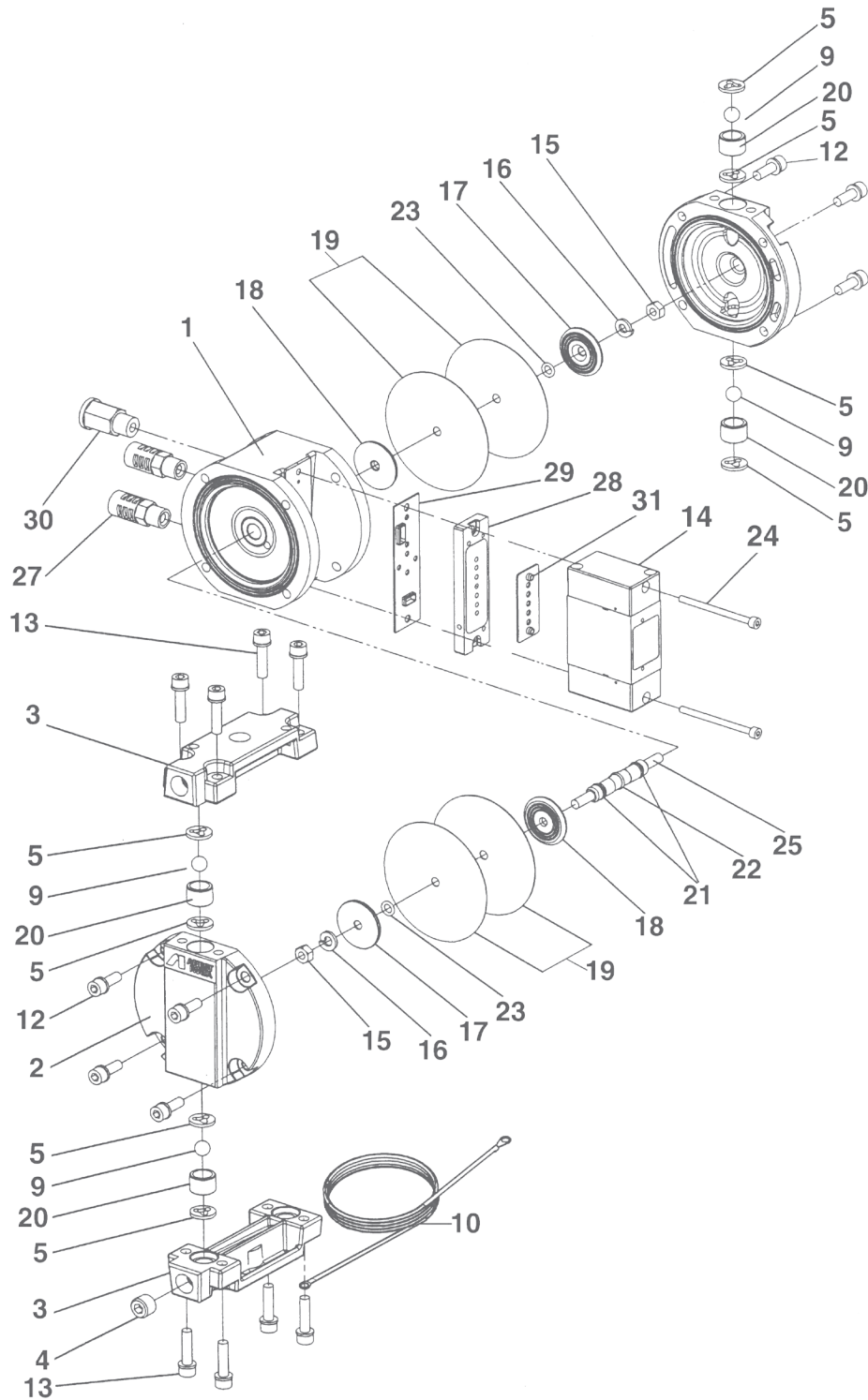


# DPS-70 C and DPS-70 CN

## ORDER INFORMATION

REF.	CODE	DESCRIPTION	QTY.	DDP-70B	DDP-70BN	€
1	94943570	MAIN BODY		X	X	169,70
2	94402581	LID		X		117,50
2	94409720	LID			X	199,60
3	94400583	ADAPTOR		X		107,70
3	94409710	ADAPTOR			X	164,60
4	06990412	HEXAGON SOCKET PLUG		X		7,00
4	96367201	HEXAGON SOCKET PLUG			X	18,50
5	94932320	PACKING SET	(4 pcs./1 pk.)	X	X	20,90
9	94932330	STEEL BALL SET	(2 pcs./1 pk.)	X	X	14,30
10	04492830	GROUND WIRE		X	X	9,10
12	06357501	HEX. SOCKET BOLT WITH WASHER		X	X	1,20
13	96357500	HEX. SOCKET BOLT WITH WASHER		X	X	2,10
14	94409651	AIR OPERATING VALVE SET		X	X	157,60
15	06361060	HEX. NUT		X	X	1,50
16	06362060	SPRING WASHER		X	X	1,20
17	94401592	DIAPHRAGM HOLDER (outer)		X	X	17,70
18	04402592	DIAPHRAGM HOLDER (inner)		X	X	17,80
19	94932340	DIAPHRAGM SET (outer)	(2 pcs./1 pk.)	X	X	47,90
20	94932310	SEAT	(2 pcs./1 pk.)	X	X	29,30
21	06996611	'Y'PACKING		X	X	9,10
22	06996640	PSD PACKING		X	X	9,10
23	06630006	'O' RING		X	X	0,70
24	96356503	BOLT WITH HEX. HOLE		X	X	1,20
25	04405581	ROD		X	X	123,60
27	04432590	MUFFLER		X	X	4,10
28	94944571	SUB PLATE		X	X	29,30
29	94405591	GASKET		X	X	8,80
30	96801202	HALF UNION		X	X	15,20
31	94409660	PACKING		X	X	5,90

# SPARE PARTS

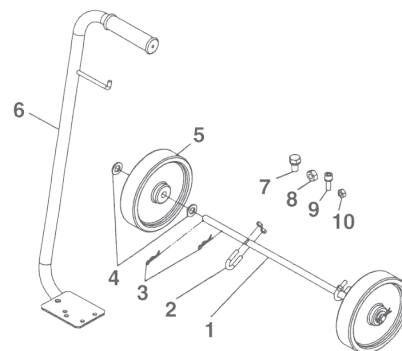


# SUPPORTS & ACCESSORIES

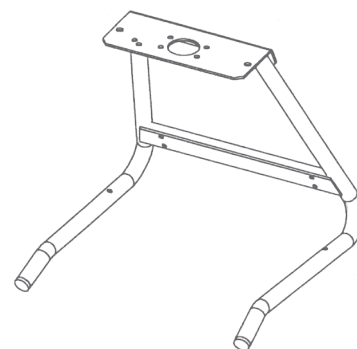
## ORDER INFORMATION

CODE	DESCRIPTION	€
<b>FOR ALL STAND TYPES (PIC. B):</b>		
04493810	STAND SET	91,00
<b>FOR ALL CART TYPES (PIC. A):</b>		
94492770	WHEEL CART SET	264,00
04493910	AXLE	1 55,10
06991938	"U" BOLT	2 30,30
06659020	SNAP PIN	3 0,90
06475122	WASHER	4 0,90
07990213	SOLID TIRE	5 30,30
04493920	HANDLE	6 166,70
06994758	BOLT + WASHER	7 0,70
06382082	HEX. NUT	8 1,00
06357501	HEX. SOCKET BOLT WITH WASHER	9 1,20
06382062	HEX. NUT	10 0,90
<b>FOR ALL TANK TYPES (pic. C):</b>		
94492780	LID SET	204,30
<b>FOR ALL WALL BRACKET TYPES (pic. D):</b>		
04459630	WALL MOUNTING BRACKET	91,10
06859563	ELBOW UNION (for Air connection)	15,20
<b>FOR HOPPER TYPE WITH CART (pic. E):</b>		
0102000602	HOPPER SET + TUBE + FILTER DPS-12036C/ CN/ C-WB & DPS-9036G/ GN/ G-WB	226,00
0102000603	HOPPER SET + TUBE + FILTER DPS-7036C/ CN	256,90
VFM61000	HOPPER SET 6 LT. WITHOUT HOSE	Plastic 113,30
0040720100	FILTER 50 MESH	7,10
UL300472	CONVERSION JOINT for DPS-7036C/ CN	Stainless Steel 33,20
VFM610021	"U" HOSE	M 36x2 F 1/2" Stainless Steel 114,00
VFM610031	"U" HOSE	M 36x2 F 3/4" Stainless Steel 115,70
VFM610041	"U" HOSE	M 36x2 F 36x2 Stainless Steel 119,00

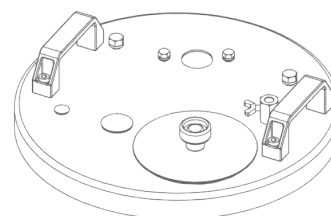
PICTURE A



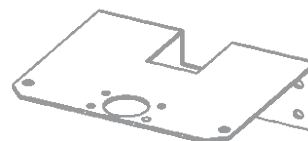
PICTURE B



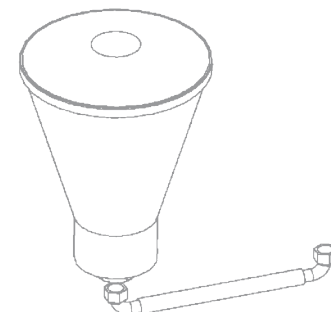
PICTURE C



PICTURE D



PICTURE E



## ACCESSORIES Available Until Stock Last

CODE	DESCRIPTION	€
VFM61001	SPRING	ø 87,5 mm 2,80
VFM61002	"L" HOSE	M 36x2 F 1/2" 74,90
VFM61003	"L" HOSE	M 36x2 F 3/4" 94,40
VFM61004	"L" HOSE	M 36x2 F 36x2 94,10
14388000	Y SHAPED FLUID NIPPLE TJ-2 G3/8"	35,10
04470100	HANDLE	33,50

# ACCESSORIES



## SUCTION HOSE & DRAIN HOSE SET

CODE	DESCRIPTION	REF.	€
<b>SUCTION HOSE SET FOR CART TYPE (A) - STAND TYPE (B) - WALL BRACKET TYPE (D)</b>			
04493830	SUCTION HOSE FOR ALUMINUM MODEL	Pic. 1	148,90
04494060	SUCTION HOSE FOR STAINLESS STEEL AND ANODIZED ALUMINUM MODEL	Pic. 1	257,40
04437930	SUCTION HOSE FOR DPS 701C/703C/704C/7036C- /CN STAINLESS STEEL	Pic. 1	128,50
<b>SUCTION PIPE SET FOR TANK TYPE (C)</b>			
04493670	SUCTION PIPE FOR ALUMINUM MODEL	Pic. 2	74,30
04404210	SUCTION PIPE FOR STAINLESS STEEL & ANODIZED ALUMINUM MODEL	Pic. 2	106,40
04437830	SUCTION PIPE FOR DPS 704C- /CN STAINLESS STEEL	Pic. 2	106,40
<b>SUCTION FILTER SET FOR ALL TYPES</b>			
04637780	SUCTION FILTER SET	Pic. 3	23,40
0040720100	FILTER (50 mesh)	1	7,10
00407203	FILTER STOPPER	2	3,50
<b>DRAIN HOSE SET FOR CART TYPE (A) - STAND TYPE (B) - WALL BRACKET TYPE (D)</b>			
04493850	DRAIN HOSE FOR ALUMINUM MODEL	Pic. 4	31,40
04494090	DRAIN HOSE FOR STAINLESS STEEL AND ANODIZED ALUMINUM MODEL	Pic. 4	45,70
<b>DRAIN HOSE SET FOR TANK TYPE (C)</b>			
04493571	DRAIN HOSE FOR ALUMINUM MODEL	Pic. 5	31,40
04494220	DRAIN HOSE FOR STAINLESS STEEL AND ANODIZED ALUMINUM MODEL	Pic. 5	45,70
<b>DRAIN HOSE SET FOR HOPPER TYPE (E)</b>			
04400280	DRAIN HOSE	Pic. 6	17,00

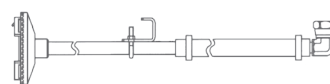
## DELIVERY PAINT FILTER

CODE	DESCRIPTION	€
04493020	DELIVERY PAINT FILTER SET	228,70
04493030	BODY	1 60,50
04493040	FILTER BOLT	2 15,20
04493050	CYLINDER	3 66,30
04493060	CYLINDER CAP	4 30,30
04493070	PACKING	5 4,50
04493080	PACKING	6 4,50
04493090	JOINT	7 109,50
04493800	BOLT CAP	8 7,60
06583006	SPRING PIN	9 1,50
VFM2503	FILTER (100 MESH)	10 4,60

## AIR REGULATOR SET

CODE	DESCRIPTION	€
04492860	PANEL	1 75,30
04492870	AIR REGULATOR SET (2 REGULATORS SET)	2 195,80
04492890	AIR REGULATOR (SINGLE)	82,80
04492910	PRESSURE GAUGE	3 30,90
06858202	ELBOW R1/4" G1/4"	4 5,70
06859538	ELBOW R1/4" R1/4"	5 6,10
04492920	BALL VALVE RC1/4" R1/4"	6 22,70
06809136	FEMALE UNION Ø10 X RC1/4"	7 12,10
04492940	SAFETY VALVE	8 30,20
04494110	SPACER	9 39,00

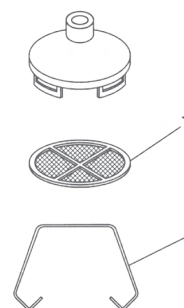
PICTURE A



PICTURE B



PICTURE C



PICTURE D



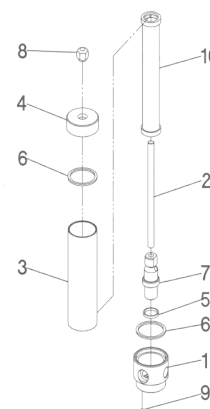
PICTURE E



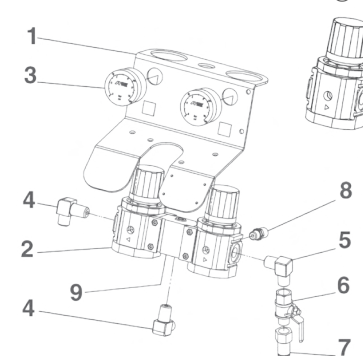
PICTURE F



DELIVERY PAINT FILTER



AIR REGULATOR Single

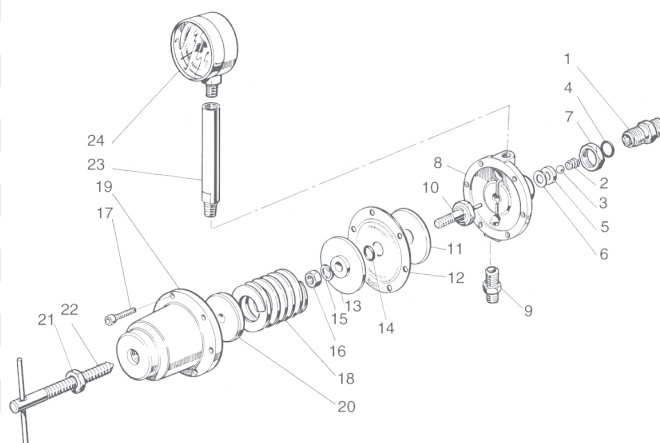


# PAINT PRESSURE REGULATORS

## PR-5BL | PR-5BL WB | PR-5BL N PAINT PRESSURE REGULATOR

CODE	DESCRIPTION	TYPE	REF.	€
14608200	PR-5BL PAINT PRESSURE REGULATOR	ALUMINIUM		344,30
14608220	PR-5BL-WB PAINT PRESSURE REGULATOR	ALUMINIUM ANODIZED		358,70
14608210	PR-5BLN PAINT PRESSURE REGULATOR	STAINLESS STEEL		550,60
04700450	JOINT		1	117,90
04701451	VALVE SPRING		2	18,60
04702450	TUNGSTEN CARBIDE BALL		3	20,70
96639514	'O' RING		4	19,20
94703450	CARBIDE SEAT		5	74,90
94704450	PACKING		6	1,50
04731450	JAM NUT		7	12,60
94705451	MAIN BODY	PR-5BL.TE	8	195,30
94724451	MAIN BODY	PR-5BLN.TE	8	283,40
94705460	MAIN BODY	PR-5BL-WB.TE	8	214,40
04754450	JOINT 1/4" - G 3/8"	Stainless Steel	9	24,60
04707450	DIAPHRAGM BOLT		10	68,50
04708450	DIAPHRAGM HOLDER		11	21,30
04976440	DIAPHRAGM		12	47,50
04709451	DIAPHRAGM STOPPER		13	16,80
06995905	'O' RING		14	4,40
06500802	SPRING WASHER		15	1,00
06383086	HEX.NUT		16	0,90
96357480	BOLT WITH HEX HOLE		17	1,70
94720440	ADJ.SPRING		18	29,70
04711451	DIAPHRAGM CAP		19	38,30
04713450	SPRING HOLDER		20	34,90
04717501	HEX NUT		21	4,00
04970440	HANDLE SET		22	41,10
04725450	RISING PIPE		23	88,70
04755451	PRESSURE GAUGE		24	24,60

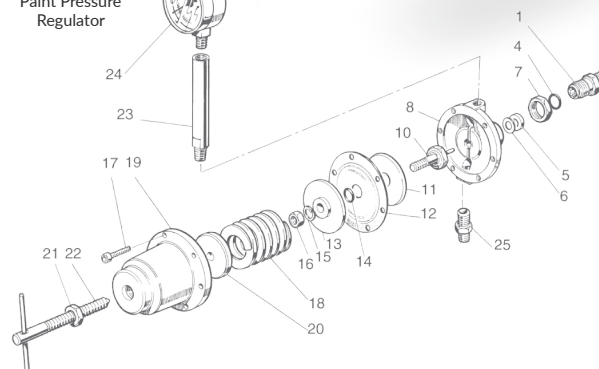
TECHNICAL DATA	
Max. Flow rate:	1.5 lt./min
Max. Primary Pressure:	7.0 bar
Secondary Pressure range:	0.0~3.0 bar
Fluid IN/OUT Joint:	G3/8"
Mass:	850g



## PR-B5 | PR-B5 BN BACK PRESSURE VALVE FOR PAINT RECIRCULATION

CODE	DESCRIPTION	REF.	€
14418851	PR-B5 B BACK PRESSURE VALVE		588,00
14418861	PR-B5 BN BACK PRESSURE VALVE (STAINLESS STEEL)		703,20
04700450	JOINT	1	117,90
96639514	'O' RING	4	19,20
94703450	CARBIDE VALVE	5	74,90
94704450	PACKING	6	1,50
04731450	HEXAGON NUT	7	12,60
04737450	DIAPHRAGM BOLT	10	34,30
04708450	DIAPHRAGM HOLDER	11	21,30
04976440	DIAPHRAGM	12	47,50
04709451	DIAPHRAGM STOPPER	13	16,80
06995905	'O' RING	14	4,40
06500802	SPRING WASHER	15	1,00
06383086	HEXAGON NUT	16	0,90
96357480	HEXAGON SOCKET BOLT + WASHER	17	1,70
94720440	ADJUSTING SPRING	18	29,70
04711451	DIAPHRAGM CAP	19	38,30
04713450	SPRING STOPPER	20	34,90
04717501	HEXAGON NUT	21	4,00
04970440	HANDLE SET	22	41,10
04725450	RISING PIPE	23	88,70
04755451	PRESSURE GAUGE	24	24,60
UL30010600	JOINT RC. 1/4" - G 3/8"	25	6,70

TECHNICAL DATA	
Max. Flow rate:	2.0 lt./min
Max. Primary Pressure:	6.0 bar
Fluid Inlet Joint:	G1/4"B
Fluid Outlet Joint:	G3/8"B
Mass Aluminium version:	850g
Mass Stainless Steel version:	1020g



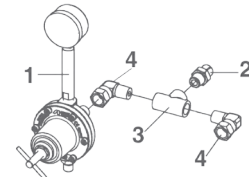
# ACCESSORIES



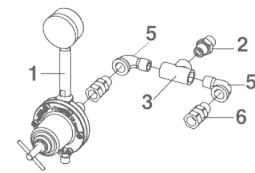
## TWO-WAY REGULATOR SET

CODE	DESCRIPTION	REF.	ALU.	SS	€
04493970	2-WAY REGULATOR SET		1		454,20
04493980	2-WAY REGULATOR SET			1	603,40
14608200	PAINT REGULATOR	1	1		344,30
14608210	PAINT REGULATOR	1		1	550,60
06859153	JOINT	2	1		12,20
06859594	JOINT	2		1	45,30
06678403	T-JOINT	3	1		13,60
06641003	T-JOINT	3		1	37,70
06859546	ELBOW UNION	4	2		12,20
06646003	STREET ELBOW	5		2	24,20
06859591	UNION JOINT M-F	6		2	57,90
04494080	SUB PLATE	7	1	1	7,60
06357507	BOLT WITH HEX. HOLE	8	4	4	0,90
04494050	PLATE	9	1	1	22,70
04492910	PRESSURE GAUGE	10	1	1	30,90
06800202	ELBOW UNION	11	2	2	15,20
04494040	TUBE	12	1	1	1,80
04493010	PLATE(GUN)	13	1	1	3,10
04492890	AIR REGULATOR	14	1	1	82,80
06858202	ELBOW	15	2	2	5,70
06678402	T-JOINT	16	1	1	12,10
06859002	UNION JOINT M-F	17	1	1	12,10

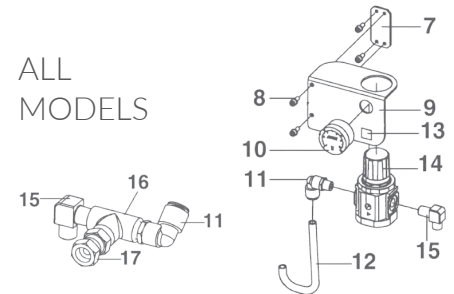
### ALUMINIUM TYPE



### STAINLESS STEEL TYPE

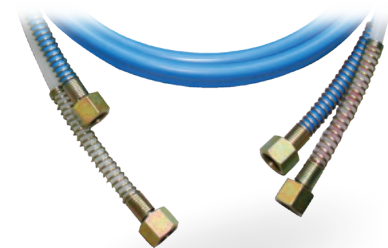


### ALL MODELS



## LOW PRESSURE TWIN HOSES

CODE	DESCRIPTION	LENGHT	TYPE	NIPPLES	€
<b>AIR/FLUID LOW PRESSURE TWIN HOSES</b>					
001004020	CONDUCTIVE TWIN HOSE	2 mt	AIR/FLUID	1/4"-1/4"	58,50
001004050	CONDUCTIVE TWIN HOSE	5 mt	AIR/FLUID	1/4"-1/4"	89,60
001004075	CONDUCTIVE TWIN HOSE	7,5 mt	AIR/FLUID	1/4"-1/4"	109,80
001004100	CONDUCTIVE TWIN HOSE	10 mt	AIR/FLUID	1/4"-1/4"	134,10
001004150	CONDUCTIVE TWIN HOSE	15 mt	AIR/FLUID	1/4"-1/4"	225,90



# PAINT FLOW CONTROL VALVES

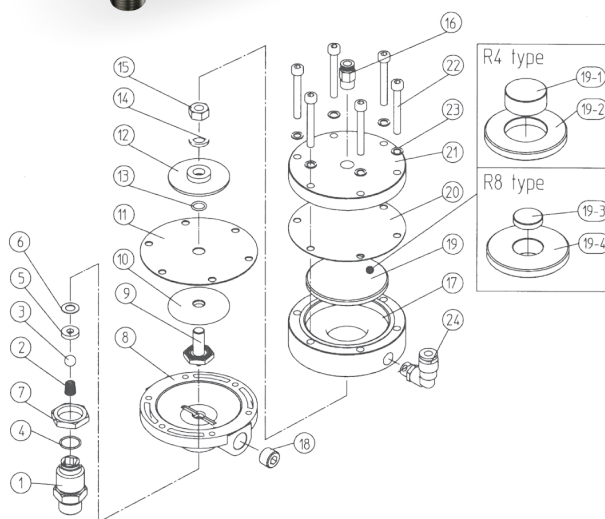
## FCV-31 | FCV-31N-S1 | FCV-31N-S1-R4 | FCV-31N-S1-R8

CODE	DESCRIPTION	TYPE	REF.	€
14418560	FCV-31 PAINT FLOW CONTROL VALVE			541,10
14418940	FCV-31N-S1 PAINT FLOW CONTROL VALVE (STAINLESS STEEL)			681,40
14418950	FCV 31N-S1-R4 PAINT FLOW CONTROL VALVE (STAINLESS STEEL)			681,40
14418960	FCV 31N-S1-R8 PAINT FLOW CONTROL VALVE (STAINLESS STEEL)			681,40
04700450	JOINT		1	117,90
04701451	VALVE SPRING		2	18,60
04702450	CARBIDE BALL		3	20,70
96639514	'O' RING		4	19,20
94703450	SEAT		5	74,90
94704450	PACKING		6	1,50
04731450	HEXAGON NUT		7	12,60
94705451	BODY		8	195,30
04707450	DIAPHRAGM BOLT		9	68,50
04708450	DIAPHRAGM HOLDER		10	21,30
04976440	DIAPHRAGM		11	47,50
04709451	DIAPHRAGM STOPPER		12	16,80
06995905	'O' RING		13	4,40
06500802	SPRING WASHER		14	1,00
06383086	HEXAGON NUT		15	0,90
96801161	HALF UNION		16	13,30
94757410	DIAPHRAGM CAP		17	125,30
06990412	PLUG WITH HEX. HOLE	(FCV-31)	18	7,00
06367201	PLUG WITH HEX. HOLE	(FCV-31N-S1)	18	18,60
94758410	DIAPHRAGM HOLDER (2) (1 pc.)	(FCV-31N-S1)	19	67,20
94768410	PISTON	(FCV-31N-S1-R4)	19-1	32,60
94766410	DIAPHRAGM HOLDER (2) (1 pc.)	(FCV-31N-S1-R4)	19-2	67,20
94769410	PISTON	(FCV-31N-S1-R8)	19-3	33,70
94767410	DIAPHRAGM HOLDER (2) (1 pc.)	(FCV-31N-S1-R8)	19-4	67,20
94759410	DIAPHRAGM (2) (1 pc.)		20	28,90
94760410	DIAPHRAGM CAP (2) (1 pc.)		21	110,50
96350540	BOLT WITH HEX.HOLE		22	1,10
96500502	SPRING WASHER		23	0,90
96809452	ELBOW UNION		24	15,40

TECHNICAL DATA	
Max. Flow rate:	2.0 lt./min
Max. Primary Pressure:	25 bar
Adj. Air Pressure:	0.0~6.0 bar
Fluid Inlet Joint:	G3/8"B
Fluid Outlet Joint:	Rc 1/4"
Air Hose:	ø6x4 mm
Mass Aluminium version:	750g
Mass Stainless Steel version:	950g



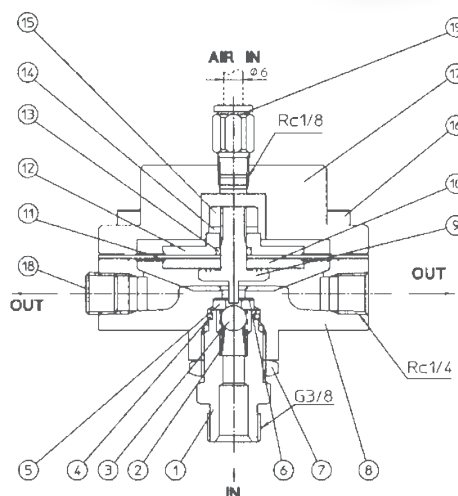
QUICK RESET SYSTEM



## FCV-3 PAINT FLOW CONTROL VALVE

CODE	DESCRIPTION	REF.	€
14418540	FCV-3 PAINT FLOW CONTROL VALVE		468,60
04700450	JOINT	1	117,90
04701451	VALVE SPRING	2	18,60
04702450	CARBIDE BALL	3	20,70
96639514	'O' RING	4	19,20
94703450	SEAT	5	74,90
94704450	PACKING	6	1,50
04731450	HEXAGON NUT	7	12,60
94705451	BODY	8	195,30
04707450	DIAPHRAGM BOLT	9	68,50
04708450	DIAPHRAGM HOLDER	10	21,30
04976440	DIAPHRAGM	11	47,50
04709451	DIAPHRAGM STOPPER	12	16,80
06995905	'O' RING	13	4,40
06500802	SPRING WASHER	14	1,00
06383086	HEXAGON NUT	15	0,90
96357480	HEXAGON SOCKET BOLT + WASHER	16	1,70
94757400	DIAPHRAGM CAP	17	25,60
06990412	PLUG	18	7,00
96801161	HALF UNION	19	13,30

TECHNICAL DATA	
Max. Flow rate:	2.0 lt./min
Max. Primary Pressure:	25 bar
Adj. Air Pressure:	6.0 bar
Fluid Inlet Joint:	G3/8"B
Fluid Outlet Joint:	Rc 1/4"
Air Hose:	ø6x4 mm
Mass:	850g





# ACCESSORIES



## DIAPHRAGM PUMPS PAINT FILTERS

CODE	DESCRIPTION	SIZE	COLOUR		€
<b>Pic. 1</b>					
VFM2001	FILTER (OPTIONAL)	30 Mesh	GREEN		1,90
VFM2002	FILTER (OPTIONAL)	50 Mesh	WHITE		1,90
VFM2003	FILTER (OPTIONAL)	65 Mesh	BLACK		1,90
VFM2004	FILTER (OPTIONAL)	100 Mesh	YELLOW		1,90
VFM2005	FILTER (OPTIONAL)	150 Mesh	BLUE		1,90
VFM2006	FILTER (STANDARD)	200 Mesh	RED		1,90
<b>Pic. 2</b>					
VFM2007	FILTER	50 Mesh	RED		3,20
VFM2008	FILTER	100 Mesh	YELLOW		3,20
<b>Pic. 3</b>					
VFM2101	FILTER	50 Mesh	GREEN		2,30
VFM2102	FILTER	80 Mesh	WHITE		2,30
VFM2103	FILTER	150 Mesh	YELLOW		2,40
VFM2104	FILTER	295 Mesh	RED		3,60
<b>Pic. 4</b>					
VFM2501	FILTER	30 Mesh	BLUE	ø 25 mm /H 155 mm	5,20
VFM2502	FILTER	60 Mesh	BLACK	ø 25 mm /H 155 mm	4,60
VFM2503	FILTER	100 Mesh	YELLOW	ø 25 mm /H 155 mm	4,60
VFM2504	FILTER	150 Mesh	RED	ø 25 mm /H 155 mm	5,90
VFM2505	FILTER	200 Mesh	WHITE	ø 25 mm /H 155 mm	5,90
<b>Pic. 5</b>					
VFM2600A	FILTER	20 Mesh	GREEN		13,80
VFM2601	FILTER	30 Mesh	BLUE		13,80
VFM2602	FILTER	50 Mesh	ORANGE		13,80
VFM2603	FILTER	70 Mesh	YELLOW		13,80
VFM2604	FILTER	100 Mesh	BLACK		13,80
VFM2605	FILTER	150 Mesh	RED		13,80
VFM2606	FILTER	200 Mesh	WHITE		13,80
<b>Pic. 6</b>					
VFM2701	FILTER	30 Mesh	BLUE		10,30
VFM2702	FILTER	50 Mesh	ORANGE		10,30
VFM2703	FILTER	70 Mesh	YELLOW		10,30
VFM2704	FILTER	100 Mesh	BLACK		10,30
VFM2705	FILTER	150 Mesh	RED		10,30
VFM2706	FILTER	200 Mesh	WHITE		10,30
<b>Pic. 7</b>					
VFM3010	FILTER	30 Mesh		ø 87 mm nylon	2,50
0040720100	FILTER	50 Mesh		ø 87 mm nylon	7,10
VFM3012	FILTER	100 Mesh		ø 83 mm nylon	7,10
<b>Pic. 8</b>					
VFM3013	FILTER	20 Mesh		ø 87,5 mm	10,30

PIC. 1



PIC. 2



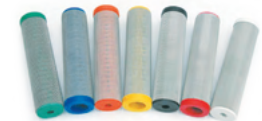
PIC. 3



PIC. 4



PIC. 5



PIC. 6



PIC. 7



PIC. 8



# PAINT PRESSURE TANKS PET SERIES (max.7.0 bar)

## FEATURES



Easy Maintenance



Stainless Steel



Easy Cleaning



General Industry

The PET pressure tanks series are a valid system for feeding paint for the spray guns and other pneumatic equipments. The system allows the correct feeding of the fluid output at a stable pressure and it is used for a large amount of applications. Available in three different capacities: 50lt., 30lt. and 10lt, they can be supplied with pneumatic agitator for constant mixing of the product to be dispensed.



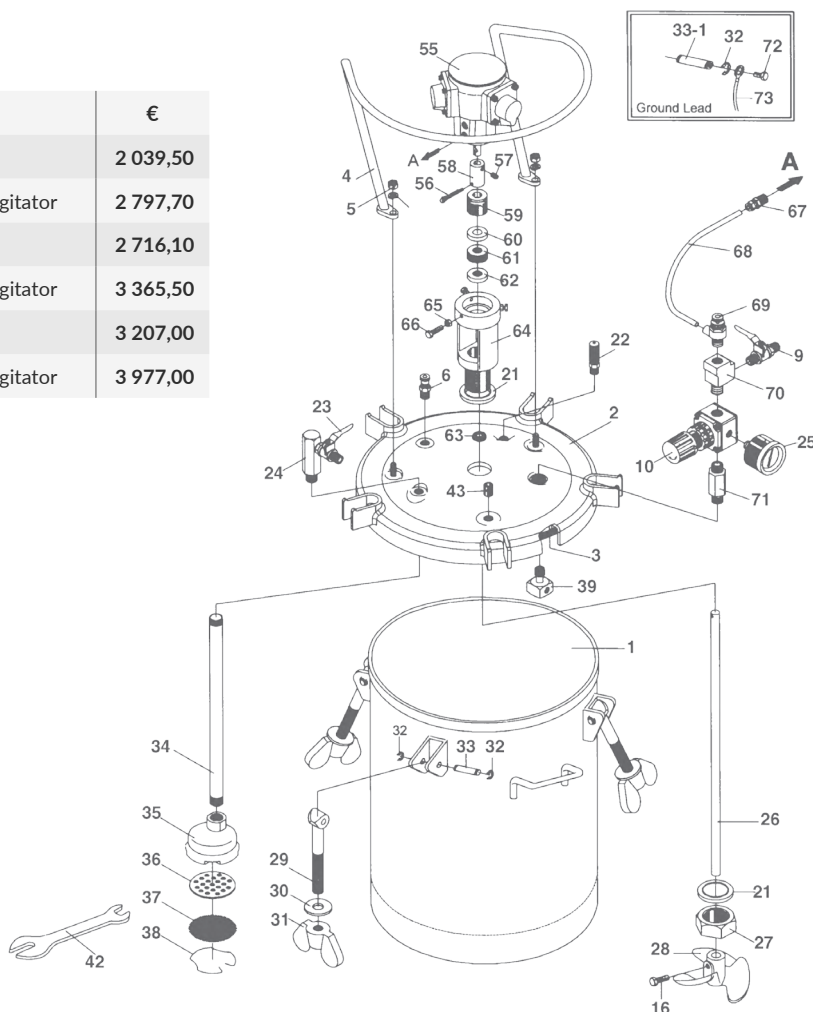
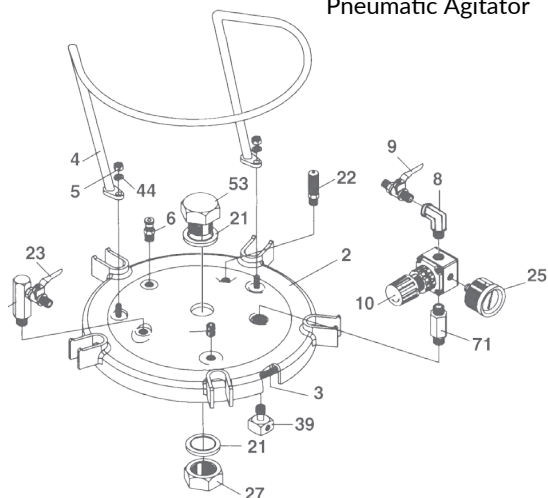
TECHNICAL DATA				
Max. Working Pressure	7.0 bar			
Air Inlet Joint	G 1/4" M			
Fluid Outlet Joint	G 3/8" M			
Working Temperature	5~40 °C			
Mass	PET 10 N	15.3 Kg	PET 10 MN	17.5 Kg
	PET 30 N	20.4 Kg	PET 30 MN	22.6 Kg
	PET 50 N	115.3 Kg	PET 50 MN	28.2 Kg
Dimensions	PET 10 N /-10 MN		540 x 330 mm	
	PET 30 N /-30 MN		710 x 415 mm	
	PET 50 N /-50 MN		810 x 470 mm	

**Model PET MN:**  
version with  
Pneumatic Agitator  
**AM-6B**

## ORDER INFORMATION

CODE	DESCRIPTION	€
14972600	PET-10 N PRESSURE TANK 10 lt.	2 039,50
14972620	PET-10 N PRESSURE TANK 10 lt. w/pneumatic agitator	2 797,70
14972630	PET-30 N PRESSURE TANK 30 lt.	2 716,10
14972650	PET-30 N PRESSURE TANK 30 lt. w/pneumatic agitator	3 365,50
14972660	PET-50 N PRESSURE TANK 50 lt.	3 207,00
14972680	PET-50 N PRESSURE TANK 50 lt. w/pneumatic agitator	3 977,00

**Model PET N:**  
version without  
Pneumatic Agitator



# SPARE PARTS

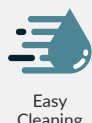
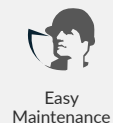


REF.	CODE	DESCRIPTION	10N	10MN	30N	30MN	50N	50MN	€
3	04015110	LID PACKING	X	X					28,60
3	04015240	LID PACKING			X	X			37,90
3	04016170	LID PACKING					X	X	60,70
4	04015250	HANDLE			X	X			132,90
4	04019250	HANDLE	X	X					92,70
4	04016180	HANDLE					X	X	166,70
5	04015140	HEXAGON NUT	X	X	X	X	X	X	0,70
6	04015150	EXHAUST VALVE	X	X	X	X	X	X	12,30
8	04015460	ELBOW	X		X		X		9,00
9	04015170	TWO WAY VALVE (Air Inlet )	X	X	X	X	X	X	15,50
10	94015180	AIR PRESSURE REGULATOR	X	X	X	X	X	X	77,60
16	04019040	HEAD BOLT		X		X		X	1,20
21	04019100	SEALING RING	X	X	X	X	X	X	9,30
22	04002211	SAFETY VALVE	X	X	X	X	X	X	26,80
23	04015450	TWO WAY VALVE (Fluid outlet)	X	X	X	X	X	X	51,10
24	04015470	FLUID OUTLET ADAPTER	X	X	X	X	X	X	37,90
25	04016190	PRESSURE GAUGE	X	X	X	X	X	X	15,70
26	04016400	ROD + COUPLING (56+57+58)		X					61,80
26	04016410	ROD + COUPLING (56+57+58)				X			72,30
26	04016420	ROD + COUPLING (56+57+58)						X	94,50
27	04019120	FIXING NUT	X	X	X	X	X	X	35,50
28	04016430	PROPELLER		X		X		X	16,90
29	04015490	SWING BOLT	X	X	X	X	X	X	32,60
30	04016200	WASHER	X	X	X	X	X	X	4,10
31	04016210	THUMB NUT	X	X	X	X	X	X	37,90
32	94020220	E-STOPPER	X	X	X	X	X	X	1,20
33	94020230	PIN	X	X	X	X	X	X	4,60
33-1	04016440	PIN (SUS)	X	X	X	X	X	X	6,00
34	04016450	SUCTION PIPE	X	X					64,50
34	04016460	SUCTION PIPE			X	X			78,90
34	04016470	SUCTION PIPE					X	X	102,20
35	04015270	FILTER COVER			X	X	X	X	16,30
35	04016260	FILTER COVER	X	X					12,30
36	04015280	FILTER BASE			X	X	X	X	4,90
36	04016270	FILTER BASE	X	X					4,10
37	04015290	FILTER (40 Mesh)			X	X	X	X	4,90
37	04016280	FILTER (40 Mesh)	X	X					4,10
38	04015300	FILTER STOPPER			X	X	X	X	4,90
38	94016290	FILTER STOPPER	X	X					4,10
39	94016310	AIR FLOW GUIDE	X	X	X	X	X	X	14,70
43	06990412	HEX. SOCKET SCREW			X	X	X	X	7,00
44	06500804	SPRING WASHER	X	X	X	X	X	X	0,50
53	04016480	HEAD BOLT	X		X		X		94,50
55	AM-6B	PNEUMATIC AIR MOTOR		X		X		X	491,30
59	04017410	PACKING SEAT		X		X		X	18,10
60	04017420	"V" PACKING FEMALE ADAPTOR		X		X		X	5,20
61	04017430	"V" PACKING		X		X		X	13,50
62	04017440	"V" PACKING MALE ADAPTOR		X		X		X	5,20
63	04017450	O-RING		X		X		X	4,10
64	04017460	AIR MOTOR SUPPORT		X		X		X	246,00
65	04017470	HEX. NUT		X		X		X	0,60
66	04017480	HEAD BOLT		X		X		X	2,50
67	04017490	QUICK COUPLING		X		X		X	5,90
68	04018100	AIR HOSE		X		X		X	8,60
69	04018110	SPEED CONTROLLER		X		X		X	34,50
70	04018120	ADAPTER		X		X		X	7,50
71	04018130	ADAPTER	X	X	X	X	X	X	16,90
72	04018140	SCREW	X	X	X	X	X	X	0,50
73	04018150	GROUND WIRE	X	X	X	X	X	X	4,60



# PAINT PRESSURE TANK PET10 (max.1.0 bar)

## FEATURES



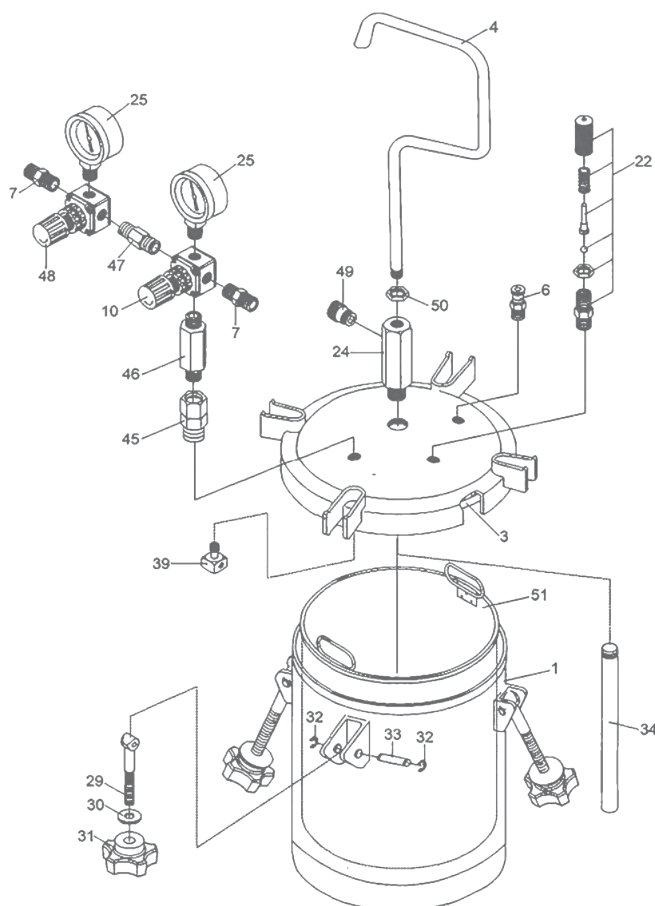
The PET10 Pressure Tank is a valid system for feeding paint for the spray guns and other pneumatic equipments. The system allows the correct feeding of the fluid output at a stable pressure and it is used for a large amount of applications.

TECHNICAL DATA	
Max. Working Pressure	4.0 bar
Air Inlet Joint	G 1/4" M
Fluid Outlet Joint	G 3/8" M
Working Temperature	5~40 °C
Tank Capacity	10 lt.
Inner Tank Capacity	8.5 lt. (in Stainless Steel)
Mass	11kg
Dimensions	310x310x565 mm



## ORDER INFORMATION

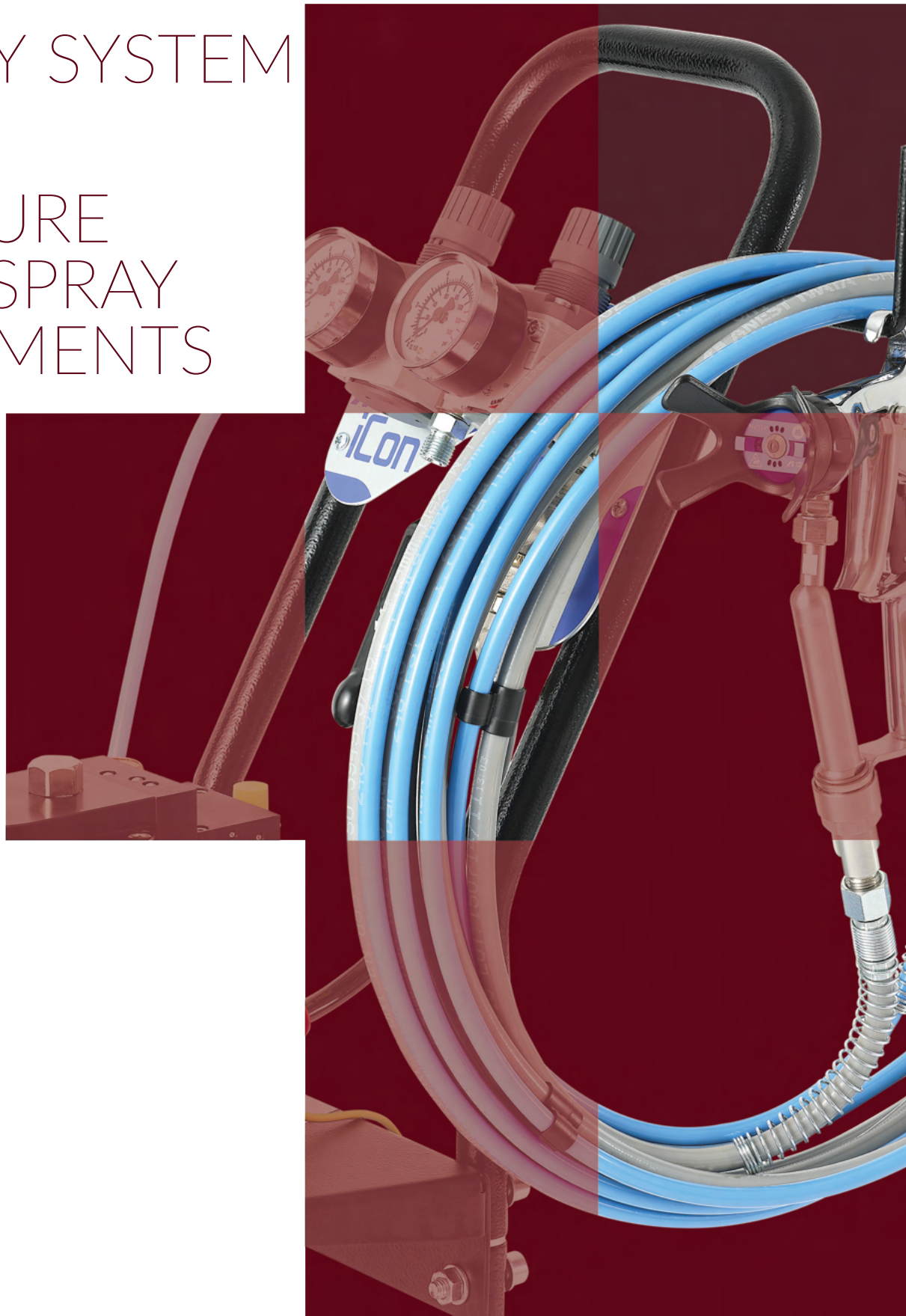
REF.	CODE	DESCRIPTION	€
	14972400	PET-10 PRESSURE TANK 10 lt.	944,20
3	94020200	LID PACKING	30,40
4	94020020	HANDLE	24,00
6	94020030	EXHAUST VALVE	11,10
7	94020210	AIR INLET JOINT / OUTLET JOINT G1/4"	9,30
10	94008260	PRESSURE REGULATOR (FOR TANK)	78,80
22	94016391	SAFETY VALVE	26,80
24	94020040	FLUID OUTLET CONNECTING JOINT SUS 303	31,50
25	94016020	PRESSURE GAUGE	24,00
29	94020190	HANDLE BOLT	7,20
30	94020060	WASHER	1,20
31	94020070	THUMB NUT	31,50
32	94020220	C-SNAP RING	1,20
33	94020230	STUD	4,60
34	94020090	SUCTION PIPE SUS 303	57,60
39	94016310	AIR FLOW GUIDE	14,70
45	94020100	ADAPTER	12,80
46	94020110	ADAPTER	13,40
47	94020120	ADAPTER	5,90
48	94020130	PRESSURE REGULATOR (FOR GUN)	71,00
49	94020140	FLUID OUTLET JOINT SUS 303 3/8"	11,10
50	94020160	NUT	1,20
51	94020170	INNER TANK SUS 304	295,20



4

PAINT  
SUPPLY SYSTEM

HIGH  
PRESSURE  
MULTISPRAY  
EQUIPMENTS



# MSGGS-200 EVO MULTI SPRAY GUN SERIES

## FEATURES



Multi Spray Technology



High Transfer Efficiency



Low Overspray



Easy Maintenance



Ergonomic Design



Smooth Trigger Action

# MSGGS-200 EVO

## MULTI SPRAY GUN with SHORT & LONG FILTER

Premium Quality Multi Spray Gun series. The MSGGS-200 combines the advantage of Airless Technology (speed, low overspray) with the advantages of HVLP Technology, resulting in a product with high Transfer Efficiency and excellent finish quality. Available in two different version: with short filter for standard application and with long filter for intensive applications.



Long  
FILTER



Short  
FILTER

TECHNICAL DATA	LONG FILTER	SHORT FILTER
Max. Fluid Pressure:	(120 bar) or (250 bar)	
Max. Air Pressure:	7.0 bar	
Air inlet joint:	G1/4"	
Fluid inlet joint:	(NPSM 1/4") or (JIC 1/2")	
Paint filter:	100 Mesh (standard)	
Working Temperature range:	5-40 °C	

REVISITED  
DESIGN

### ORDER INFORMATION 120 bar

		Type	 bar	€
<b>MSGGS-200 EVO - NPSM 1/4"</b>				
13001040	MSGGS-200 EVO 120 SN MULTI SPRAY GUN	SHORT	120	747,40
13001050	MSGGS-200 EVO 120 LN MULTI SPRAY GUN	LONG		763,00

### MSGGS-200 EVO - JIC 1/2"

13000250	MSGGS-200 EVO 120 SJ MULTI SPRAY GUN	SHORT	120	748,00
13000240	MSGGS-200 EVO 120 LJ MULTI SPRAY GUN	LONG		763,70

### ORDER INFORMATION 250 bar

		Type	 bar	€
<b>MSGGS-200 EVO - NPSM 1/4"</b>				
13001060	MSGGS-200 EVO 250 SN MULTI SPRAY GUN	SHORT	250	776,20
13001070	MSGGS-200 EVO 250 LN MULTI SPRAY GUN	LONG		791,80

### MSGGS-200 EVO - JIC 1/2"

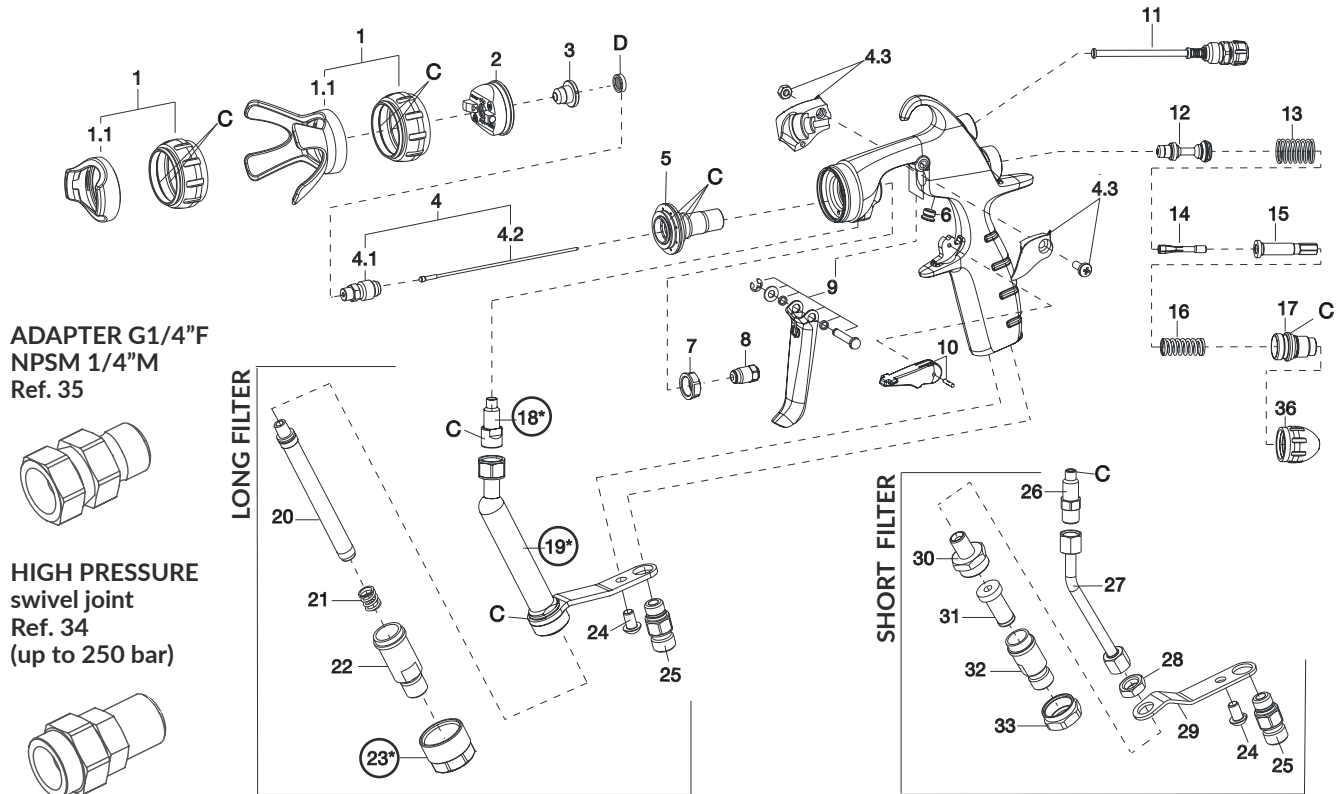
13000270	MSGGS-200 EVO 250 SJ MULTI SPRAY GUN	SHORT	250	776,90
13000260	MSGGS-200 EVO 250 LJ MULTI SPRAY GUN	LONG		792,40



Smart  
Spray Tip Guard

**DON'T USE  
MORE THAN 50 Bar!**

# SPARE PARTS



## ORDER INFORMATION

REF.	CODE	DESCRIPTION	MODEL	€	REF.	CODE	DESCRIPTION	MODEL	€
1	93004420	AIR CAP COVER		26,60	21	93004380	FILER SPRING		10,20
1-1	93004430	SPRAY TIP GUARD		9,20	22	93004360	FILTER JOINT G1/4"	LONG FILTER	49,90
1	93004490	AIR CAP COVER	SHORT TYPE	27,00	22	93002270	FILTER JOINT JIC 1/2"		49,90
1-1	93004500	SPRAY TIP GUARD	Less than 50 bar!	9,30	22	93005670	FILTER JOINT NPSM 1/4"		49,90
2	93004320	AIR CAP		94,50	23*	930138A0	FILTER NUT		20,00
3		NOZZLE TIP - ALL SIZES in the TIP CHART (see next pages)			24	93004350	SCREW		7,40
4	93004160	FLUID NOZZLE + FLUID NEEDLE SET		136,40	25	93004340	AIR NIPPLE G1/4"		12,60
4-1	93004170	FLUID NOZZLE		43,20	26	93004530	FLUID JOINT		15,90
4-2	93004450	FLUID NEEDLE		76,50	27	93004130	FLUID TUBE		111,20
4-3	930336A0	NEEDLE PROTECTION KIT		15,80	28	93514240	NUT		12,20
5	93004230	NOZZLE HOLDER		68,80	29	93004140	PLATE		20,00
6	93004310	PLUG		9,30	30	93514230	SHORT FILTER CASE		66,30
7	93004300	NUT		11,70	31	VFM2801/S	FILTER 60 MESH	SHORT FILTER	17,30
8	93004410	NEEDLE PACKING SET		61,80	31	VFM2802/S	FILTER 100 MESH		19,50
9	93004200	TRIGGER SET		29,30	31	VFM2803/S	FILTER 200 MESH		20,00
10	93004190	SAFETY LOCK SET		12,80	32	93515230	FILTER JOINT G1/4"		74,60
11	93004290	PATTERN ADJUSTMENT		31,20	32	93002280	FILTER JOINT JIC 1/2"		74,60
12	93004260	AIR VALVE		48,60	32	93005680	FILTER JOINT NPSM 1/4"		74,60
13	93004330	AIR VALVE SPRING		8,10	33	93516230	FILTER NUT		23,40
14	93004240	COLLET		26,00	C	93004210	PACKING SET	(8 pcs./1 pk.)	28,10
15	93004250	NEEDLE BUSHING		25,90	D	93004850	TIP FILTER SET	(5 pcs./1 pk.)	17,00
16	93004270	NEEDLE SPRING	250 bar	8,20	D	93004860	TIP PACKING SET	(5 pcs./1 pk.)	16,50
16	93004150	NEEDLE SPRING	120 bar	8,20	34	03004520	SWIVEL JOINT - GAS		64,30
17	93004280	NEEDLE GUIDE		16,40	34	93005960	SWIVEL JOINT - NPSM		57,60
18*	930144A0	LONG FILTER JOINT		48,40	35	94006030	ADAPTER G1/4"F - NPSM 1/4"M		36,30
19*	930140A0	LONG FILTER CASE		188,60	36	93004400	PLUG		15,90
20	VFM2002	FILTER 50 MESH	LONG FILTER	1,90	36	930155A0	LONG FILTER UPGRADE KIT (18* + 19* + 23*)		252,70
20	VFM2004	FILTER 100 MESH		1,90					
20	VFM2005	FILTER 150 MESH		1,90					
20	VFM2006	FILTER 200 MESH		1,90					



# MSGS-200 EVO NOZZLE TIPS



APPLICATION	°Angle	10°		20°		30°		40°		50°	
	Ø inch (mm)	Mark	Code	Mark	Code	Mark	Code	Mark	Code	Mark	Code
NATURAL AND CLEAR PAINTS, OILS, RELEASE AGENTS, STAINS	0,007 (0,18)	0710	14216770	0720	14216830	0730	14216910	0740	14216521		
	0,009 (0,23)	0910	14216780	0920	14216840	0930	14216920	0940	14216541	0950	14216551
SYNTETIC RESIN AND PVC PAINTS, SOLVENT AND WATER PAINTS	0,011 (0,28)	1110	14216790	1120	14216850	1130	14216930	1140	14216581	1150	14216591
PRIMER, FILLER, RUST PROTECTION PAINTS, LATEX PAINTS, DISPERSION PAINTS, ROOF COATINGS, GLUE	0,013 (0,33)	1310	14216800	1320	14216860	1330	14216940	1340	14216621	1350	14216631
	0,015 (0,38)	1510	14216810	1520	14216870	1530	14216950	1540	14216671	1550	14216681
	0,016 (0,41)	1610	14216820	1620	14216880	1630	14216960	1640	14216710	1650	14216720
	0,018 (0,46)			1820	14216890	1830	14216970	1840	14216571	1850	14216761
	0,020 (0,50)					2030	14216980	2040	14215920	2050	14215830
	0,022 (0,56)			2220	14216900	2230	14216990	2240	14215930	2250	14215840
	0,024 (0,61)					2430	14217000	2440	14215940	2450	14215850
	0,027 (0,69)							2740	14215950	2750	14215860
FLAME RETARDANT, SPRAY PUTTY, CORROSION PROTECTION, FILLED COLOURS	0,029 (0,74)							2940	14215960	2950	14215870
	0,031 (0,79)							3140	14215970	3150	14215880
	0,033 (0,84)										
	0,035 (0,89)							3540	14215980	3550	14215890
	0,039 (0,99)									3950	14215900
	0,041 (1,04)										



# SELECTION CHART



60°		70°		80°		90°		LONG FILTER		SHORT FILTER	
Mark	Code	Mark	Code	Mark	Code	Mark	Code	Code	Code	Code	Code
								VFM2006 200 Mesh (74μ)			
									VFM2005 150 Mesh (100μ)	VFM2803/S 200 Mesh (74μ)	
1160	14215680	1170	14118410								
1360	14215690	1370	14118420	1380	14215560						
1560	14215700	1570	14118430	1580	14215570			VFM2004 100 Mesh (149μ)			VFM2005 150 Mesh (100μ)
1660	14215710	1670	14118440	1680	14215580	1690	14118310		VFM2003 65 Mesh (274μ)		
1860	14215720	1870	14118450	1880	14215590	1890	14118320				
2060	14215730	2070	14215910	2080	14215600	2090	14118330				
2260	14215740	2270	14216430	2280	14215610	2290	14118340				
2460	14215750	2470	14216440	2480	14215620	2490	14118350				
2760	14215760	2770	14216450	2780	14215630	2790	14118360				
2960	14215770	2970	14216460	2980	14215640	2990	14118370				
3160	14215780	3170	14216470	3180	14215650	3190	14118380				
3360	14215790										
3560	14215800	3570	14216480	3580	14215660	3590	14118390	VFM2001 30 Mesh (595μ)			
3960	14215810										
4160	14215820	4170	14216490	4180	14215670	4190	14118400				



Long  
FILTER

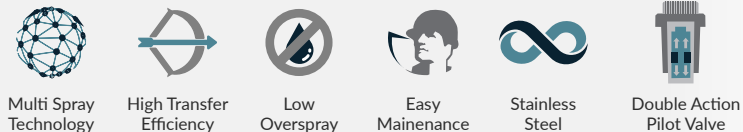


Short  
FILTER



# ICON-M433N & M333N MULTI SPRAY PUMPS

## FEATURES



**iCon®**  
MULTI SPRAY  
PUMP UNIT

From general wood to metal painting, ICON® Multi Spray Pumps for medium to high pressure applications are ideally suited to the requirements of the industrial sector. Available also on Wall Mount with Suction Hose Set or Hopper Set.

## TECHNICAL DATA

		ICON-M433N	ICON-M333N
Plunger Pump		PP-3688N	PP-3260N
Pressure Ratio		36:1	32:1
Paint Filter	Delivery Paint Filter	TF-8N (100 Mesh)	
	Fluid Suction Filter	15 mesh	50 mesh
Max. Fluid Working Pressure		252 bar (25.2 MPa)	224 bar (22.4 MPa)
Max. Air Inlet Pressure		7.0 bar (0.7 MPa)	
Compressor Required Power		> 1.5 Kw	
Fluid Output	Max. Fluid Delivery	88 ml/cyc	60 ml/cyc
	Max. Volume/Min.	5.2 l/min	3.6 l/min
No. Of Cycles Per Minute		60 cyc	



# ICON-M433N & M333N MULTI SPRAY KITS

## The kit includes

Multi Spray Pump

**iCon®**



MSG5-200 EVO  
Multispray Spray Gun



Conductive high pressure  
Twin Hose NHT-25075 N IC  
(Air/Fluid) code: 14000520



AVAILABLE also with:

**SUCTION  
HOSE**



**HOPPER SET  
6 lt.**



# ICON-M433N & M333N



## ORDER INFORMATION

CODE	MODEL	CONFIGURATION	€
<b>ICON-M433N &amp; ICON-M333N MULTI SPRAY UNIT</b>			
14050230	ICON-M433N	MULTI SPRAY UNIT (36:1) Supplied with SUCTION HOSE SET	4 322,60
14000690	ICON-M433N-S9	MULTI SPRAY UNIT (36:1) Supplied with HOPPER SET (6 lt.)	4 550,70
14050240	ICON-M333N	MULTI SPRAY UNIT (32:1) Supplied with SUCTION HOSE SET	3 842,30
14000720	ICON-M333N-S9	MULTI SPRAY UNIT (32:1) Supplied with HOPPER SET (6 lt.)	4 058,40

### ICON-M433N MULTI SPRAY KIT

CODE	MODEL	TYPE OPTION	GUN MODEL	TYPE OF FILTER	TWIN HOSES	€
<b>ICON-M433N MULTI SPRAY KITS</b>			<b>MSGS-200 MULTI SPRAY GUN</b>			
14000140	ICON-M433N-S1	SUCTION HOSE SET	MSGS-200-250L	Long - 100 Mesh	NHT-25075 N IC (7.5 m)	5 283,10
14000180	ICON-M433N-S2		MSGS-200-250S	Short - 100 Mesh		5 271,10
14000190	ICON-M433N-S3		MSGS-200-120L	Long - 100 Mesh		5 283,10
14000200	ICON-M433N-S4		MSGS-200-120S	Short - 100 Mesh		5 283,1
14000550	ICON-M433N-S5	HOPPER SET (6 lt.)	MSGS-200-250L	Long - 100 Mesh	NHT-25075 N IC (7.5 m)	5 511,20
14000560	ICON-M433N-S6		MSGS-200-250S	Short - 100 Mesh		5 499,30
14000670	ICON-M433N-S7		MSGS-200-120L	Long - 100 Mesh		5 283,10
14000680	ICON-M433N-S8		MSGS-200-120S	Short - 100 Mesh		5 271,10
<b>ICON-M333N MULTI SPRAY KITS</b>			<b>MSGS-200 MULTI SPRAY GUN</b>			
14000150	ICON-M333N-S1	SUCTION HOSE SET	MSGS-200-250L	Long - 100 Mesh	NHT-25075 N IC (7.5 m)	4 682,70
14000210	ICON-M333N-S2		MSGS-200-250S	Short - 100 Mesh		4 670,80
14000220	ICON-M333N-S3		MSGS-200-120L	Long - 100 Mesh		4 670,80
14000230	ICON-M333N-S4		MSGS-200-120S	Short - 100 Mesh		4 670,80
14000530	ICON-M333N-S5	HOPPER SET (6 lt.)	MSGS-200-250L	Long - 100 Mesh	NHT-25075 N IC (7.5 m)	4 898,90
14000540	ICON-M333N-S6		MSGS-200-250S	Short - 100 Mesh		4 886,80
14000700	ICON-M333N-S7		MSGS-200-120L	Long - 100 Mesh		4 886,8
14000710	ICON-M333N-S8		MSGS-200-120S	Short - 100 Mesh		4 886,8

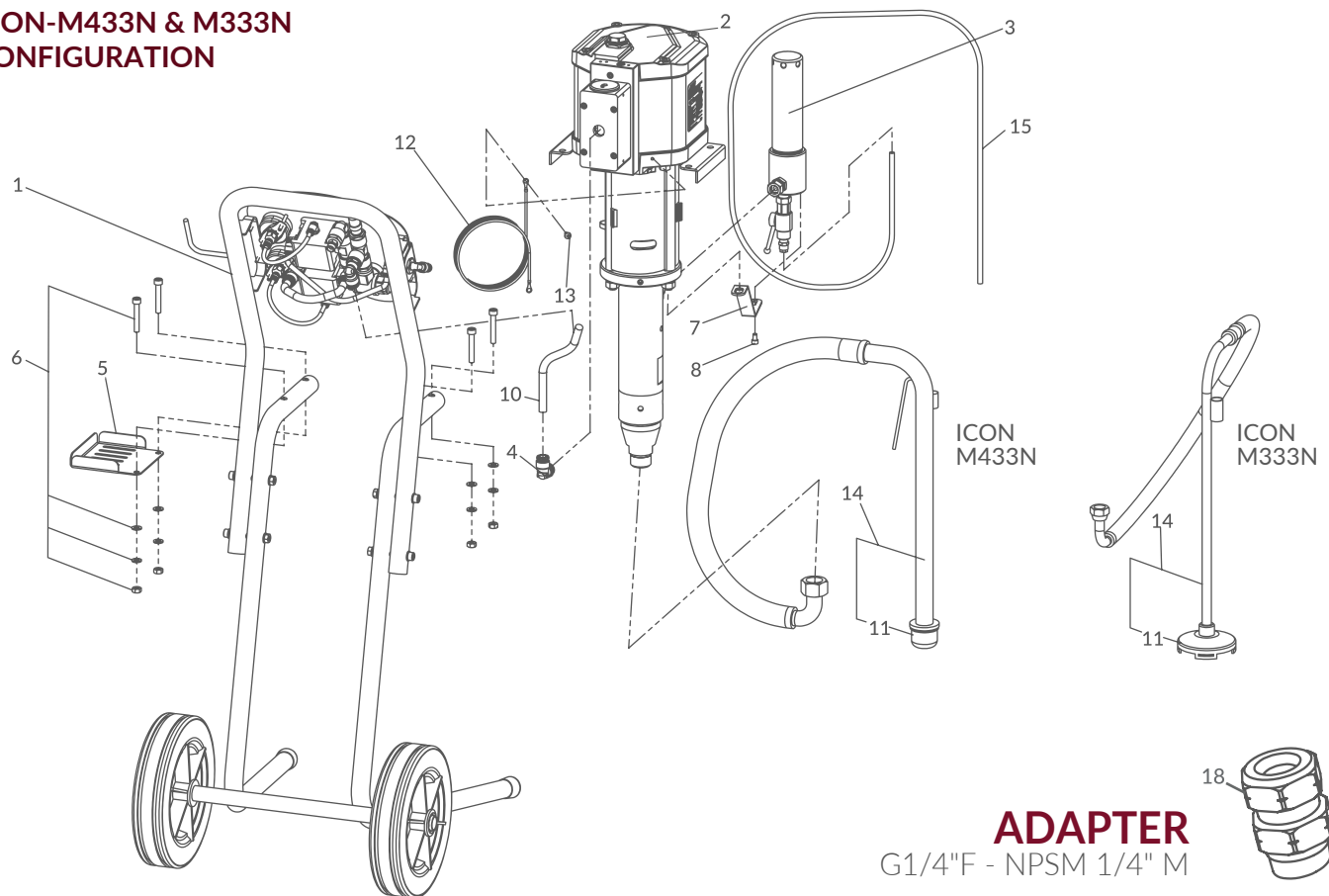
## CONVERSION KIT WALL MOUNTING BRACKET

CODE	CONFIGURATION	€
<b>ASSEMBLY CONVERSION KITS</b>		
04005460	WALL MOUNT CONVERSION KIT	600,40
04005870	HOPPER SET G1/2" (6 lt.) for ICON-M433N	434,40
04005510	HOPPER SET G1/2" (6 lt.) for ICON-M333N	410,50

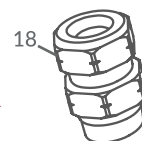


# ICON-M433N & M333N MULTI SPRAY PUMPS

## ICON-M433N & M333N CONFIGURATION

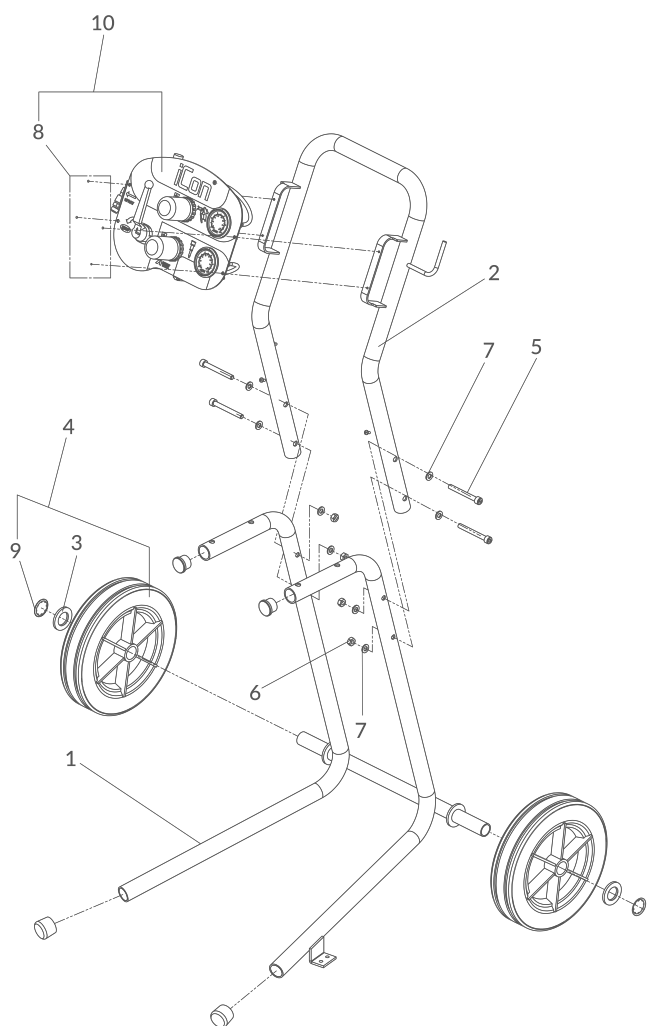


**ADAPTER**  
G1/4" F - NPSM 1/4" M

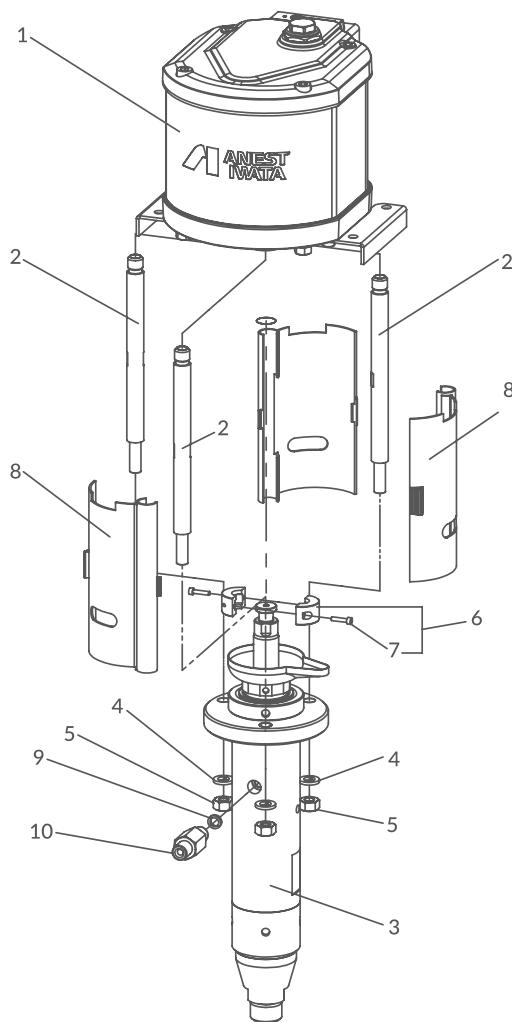


REF.	CODE	DESCRIPTION	ICON-M433N	ICON-M333N	€
1	04445670	CART FRAME SET	X	X	X
2	14050130	PLUNGER PUMP SET - PP-3688N	X	--	3 242,00
2	14050140	PLUNGER PUMP SET - PP-3260N	--	X	2 701,60
3	1457000000	DELIVERY PAINT FILTER SET - TF-8N	X	X	644,80
4	04444920	ELBOW MALE ADAPTOR - 1/2"x ø12	X	X	8,30
5	04444740	TIP STAY	X	X	16,70
6	94447890	BOLT and NUT SET for PUMP - HEX. SOCKET BOLT (4 pcs.) + NUT (4 pcs.) + SPRING WASHER (4 pcs.) + WASHER (4 pcs.)	X	X	2,90
7	04001270	FILTER STAY	X	X	7,40
8	06350612	BOLT WITH HEX. HOLE - M6x10	X	X	0,70
10	04444690	AIR HOSE	X	--	5,50
11	04444760	SUCTION FILTER SET - M28x1.5 15 mesh	--	X	30,30
11	UL10000701	SUCTION FILTER SET - M15x50 mesh	X	X	38,90
12	ME100001	GROUND WIRE SET	X	X	5,90
13	06155024	SCREW - M5x10	X	--	0,50
14	94444750	SUCTION HOSE SET	--	X	218,60
14	0101010000	SUCTION HOSE SET	X	X	197,50
15	00100030	DRAIN HOSE - 8x6		X	2,60
16	94445770	PACKING PROTECTION LIQUID	X	X	34,60
17	04445760	HOOK SPANNER	X	X	41,60
18	94006030	ADAPTER - G1/4" F - NPSM 1/4" M	X	X	34,30

## CART FRAME SET



## PLUNGER PUMP SET



REF.	CODE	DESCRIPTION	€
1	94445680	CART FRAME	207,00
2	04444730	HANDLE FRAME	116,80
3	04445720	WHEEL SET - WHEELS (2 pcs.) + WASHERS (2 pcs.)+SELF LOCKING RINGS (2 pcs.)	7,40
4	94444960	WHEEL SET - WHEELS (2 pcs.) + WASHERS (2 pcs.)+SELF LOCKING RINGS (2 pcs.)	107,90
5	04447890	BOLT WITH HEX. HOLE - M8	1,20
6	06361081	HEX. NUT - M8	1,20
7	06363080	WASHER - M8	1,20
8	94444790	SOCKET BUTTON HEAD SCREW (4 pcs.)	0,60
9	04447900	SELF LOCKING RING	0,70
10	94445740	AIR REGULATOR SET - AIR REGULATOR SET (1 pc.) + SOCKET BUTTON HEAD SCREW (4 pcs.)	736,50

REF.	CODE	DESCRIPTION	€
1	04946700	AIR MOTOR SET for ICON-M433N	on request
1	04946750	AIR MOTOR SET for ICON-M333N	on request
2	04938220	CONNECTING ROD	15,90
3	04946730	FLUID PUMP SET for ICON-M433N	on request
3	04946760	FLUID PUMP SET for ICON-M333N	on request
4	06362120	SPRING WASHER - M12	1,30
5	06361121	HEX. NUT - M12	1,30
6	94938230	COUPLING SET - ICON-M433N COUPLINGS (2 pcs.) + BOLT WITH HEXAGON HOLE (2 pcs.)	46,80
6	94943870	COUPLING SET - ICON-M333N COUPLINGS (2 pcs.) + BOLT WITH HEXAGON HOLE (2 pcs.)	26,20
7	94939540	BOLT WITH HEX. HOLE (2 pcs.) - M4x20	0,70
8	04938240	ROD COVER	7,50
9	04938260	FLUID OUTPUT PACKING	0,90
10	04938250	FLUID OUTPUT JOINT	29,50

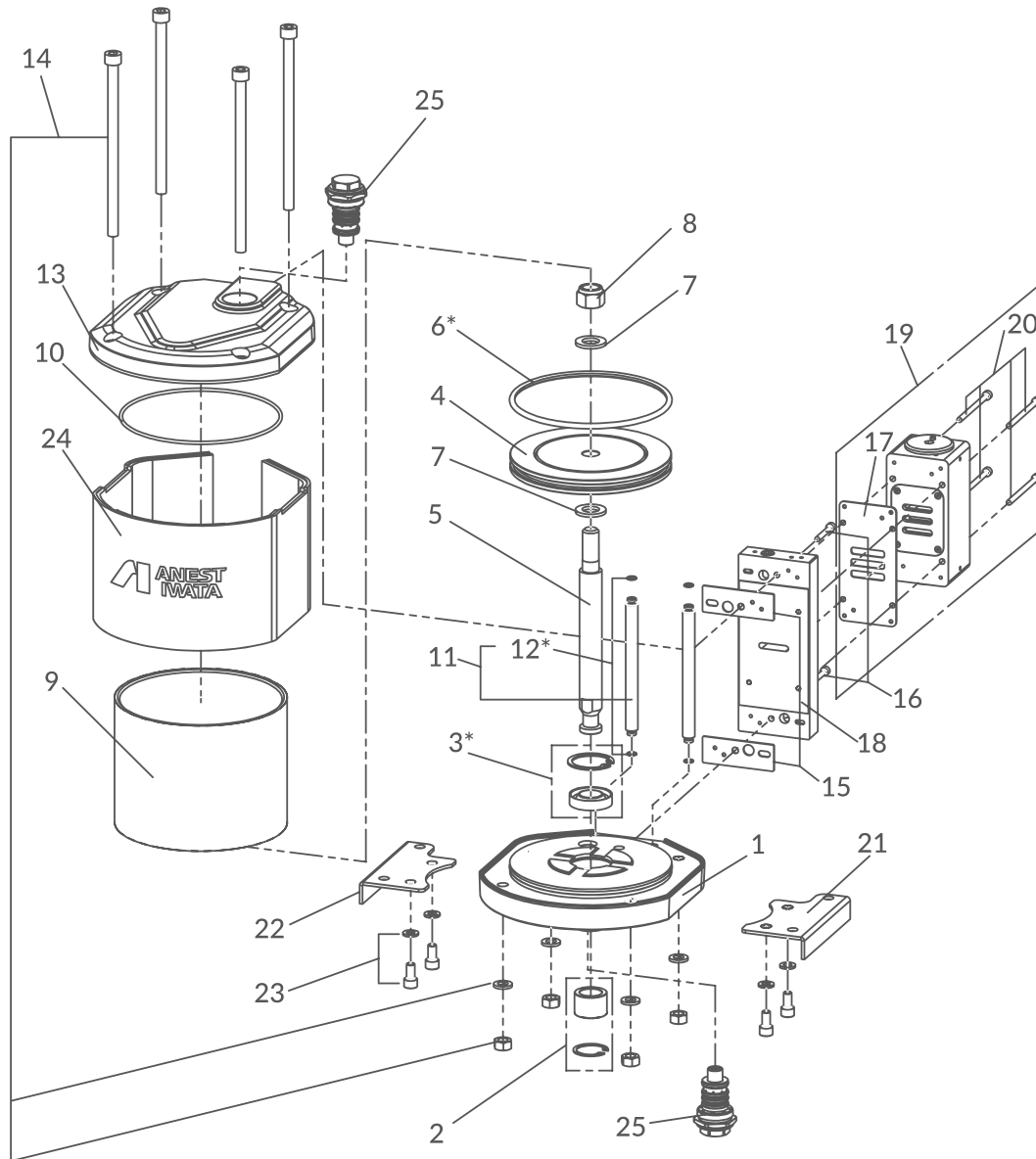


# ICON-M433N & M333N MULTI SPRAY PUMPS

## AIR MOTOR SET

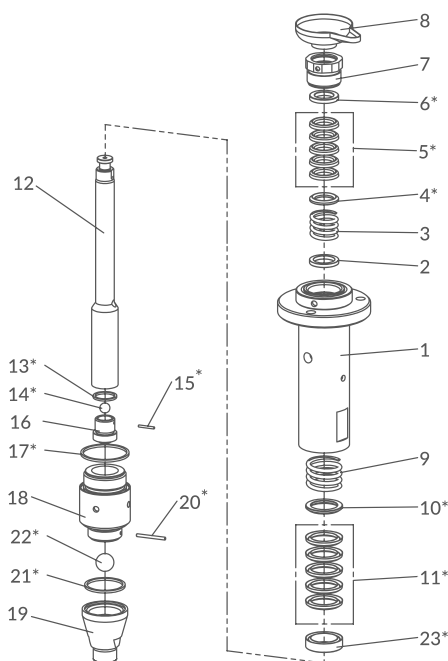
REF.	CODE	DESCRIPTION	ICON-M433N	ICON-M333N	€	
1	94938600	BOTTOM MODULE	x	--	197,40	
1	94944860	BOTTOM MODULE	--	x	162,90	
2	94938620	METAL SET	METAL $\varnothing$ 22 x $\varnothing$ 32 x L22 + SEEGER	x	--	23,90
2	94944870	METAL SET	METAL $\varnothing$ 18 x $\varnothing$ 25 x L25 + SEEGER	--	x	12,60
3*	94943830	"U" PACKING SET	"U" PACKING + SEEGER	x	--	4,00
3*	94946600	"U" PACKING SET	"U" PACKING + SEEGER	--	x	4,00
4	94939290	AIR PISTON		x	--	104,50
4	94944900	AIR PISTON		--	x	65,90
5	94939300	PISTON ROD		x	--	53,60
5	94944910	PISTON ROD		--	x	47,60
6*	04943730	'O' RING	$\varnothing$ 5.34 x $\varnothing$ 145.42	x	--	4,50
6*	04944980	'O' RING	$\varnothing$ 5.34 x $\varnothing$ 113.7	--	x	4,50
7	96471162	WASHER	M16 (2 pcs.)	x	--	1,50
7	96471142	WASHER	M14 (2 pcs.)	--	x	1,20
8	04939460	SELF LOCKING HEX. NUT	M16	x	--	1,00
8	04944960	SELF LOCKING HEX. NUT	M14	--	x	0,70
9	94939270	CYLINDER		x	--	98,20
9	94944880	CYLINDER		--	x	50,40
10	94943740	'O' RING SET	$\varnothing$ 3 x $\varnothing$ 154 (2 pcs.)	x	--	6,70
10	94944990	'O' RING SET	$\varnothing$ 3 x $\varnothing$ 119.5 (2 pcs.)	--	x	4,80
11	94939320	PILOT AIR HOSE SET	PILOT AIR HOSE (2 pcs.) + 'O' RING (4 pcs.)	x	x	15,40
12*	96637607	'O' RING SET	'O' RING $\varnothing$ 1.5 x $\varnothing$ 6.5 (4 pcs.)	x	x	2,80
13	94939310	HEAD MODULE		x	--	153,80
13	94944920	HEAD MODULE		--	x	150,40
14	94939480	BOLT NUT SET BOLT M10 x L180 (4 pcs.) + NUT M10 (4 pcs.) + SPRING WASHER M10 (4 pcs.)		x	--	40,70
14	94944970	BOLT NUT SET BOLT M8 x L180 (4 pcs.) + NUT M10 (4 pcs.) + SPRING WASHER M10 (4 pcs.)		--	x	37,10
15	94939350	MODULE PACKING SET	(2 pcs.)	x	x	3,70
16	94939520	BOLT WITH HEX. HOLE SET	M5xL35 (2 pcs.)	x	x	0,60
17	04939340	SUB PLATE PACKING		x	x	3,00
18	94939330	SUB PLATE		x	x	110,90
19	94946720	AIR OPERATING VALVE SET	AIR OPERATING VALVE + SUB PLATE PACKING	x	x	247,60
20	94939530	BOLT WITH HEX. HOLE SET	M5x75 (4 pcs.)	x	x	3,90
21	04939450	PUMP STAY "L"		x	--	8,80
21	04944950	PUMP STAY "L"		--	x	8,80
22	04939440	PUMP STAY "R"		x	--	8,80
22	04944940	PUMP STAY "R"		--	x	8,80
23	94939490	BOLT WITH HEX. HOLE + SPRING WASHER BOLT M8x16 (4 pcs.) + SPRING WASHER M8 (4 pcs.)		x	x	1,20
24	94447750	CYLINDER COVER		x	--	101,40
24	94447830	CYLINDER COVER		--	x	77,30
25	94946710	DOUBLE ACTION PILOT VALVE		x	x	182,80
	04001490	AIR MOTOR MAINTENANCE KIT		x	--	47,30
	04002030	AIR MOTOR MAINTENANCE KIT		--	x	46,30

(\*) Spare parts included in MAINTENANCE KIT

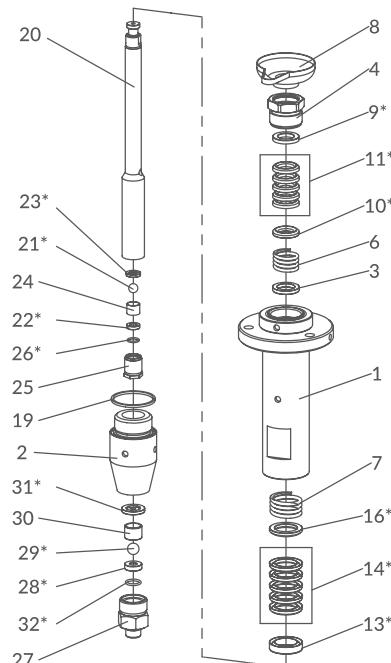


# ICON-M433N & M333N MULTI SPRAY PUMPS

## FLUID PUMP SET FOR ICON-M433N



## FLUID PUMP SET FOR ICON-M333N



REF.	CODE	DESCRIPTION	€
1	04001520	SUCTION TUBE WITH FLANGE	438,10
2	04938380	SPRING HOLDER	13,40
3	04938370	UPPER SPRING	12,90
4*	04938320	UPPER "V" PACKING MALE ADAPTOR	14,70
5*	04001500	UPPER PACKINGS KIT ("V" PACKINGS PE 3 pcs.+ PTFE 2 pcs.)	31,20
6*	04938350	UPPER "V" PACKING FEMALE ADAPTOR	15,70
7	940175A0	PACKING NUT KIT (PACKING NUT+'O' RING)	93,10
7-1	960053A0	'O' RING	4,90
8	04938490	THINNER CUP	3,40
9	04938360	LOWER SPRING	14,70
10*	04938470	LOWER "V" PACKING MALE ADAPTOR	15,30
11*	04001510	LOWER PACKINGS KIT ("V" PACKINGS PE 3 pcs. + PTFE 2 pcs.)	34,10
12	94938400	SUCTION ROD	332,00
13*	04938420	VALVE HOLDER PACKING	2,20
14*	06662045	BALL 9/16"	3,30
15*	04938430	VALVE HOLDER PIN	5,20
16	94938410	VALVE HOLDER	52,90
17*	04000210	SUCTION TUBE PACKING	6,70
18	94938300	SUCTION CONNECTOR	148,60
19	94938310	VALVE ADAPTOR	112,00
20*	04938390	LOWER PIN	4,50
21*	04000140	ADAPTOR PACKING	6,50
22*	06662100	BALL 1"	29,10
23*	04938440	LOWER "V" PACKING FEMALE ADAPTOR	20,10
	04002020	FLUID PUMP MAINTENANCE KIT	143,80

(\*) Spare parts included in MAINTENANCE KIT

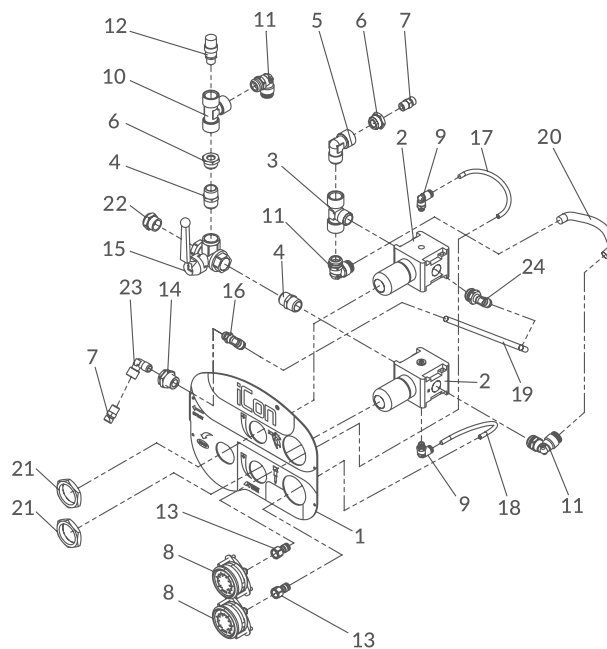
REF.	CODE	DESCRIPTION	€
1	04002100	SUCTION TUBE WITH FLANGE	332,30
2	94943910	SUCTION CONNECTOR	141,10
3	04944740	SPRING HOLDER	8,60
4	940176A0	PACKING NUT KIT (PACKING NUT+'O' RING)	92,40
4-1	960053A0	'O' RING	4,90
6	04944730	UPPER SPRING	5,00
7	04944720	LOWER SPRING	7,10
8	04938490	THINNER CUP	3,40
9*	04943990	UPPER "V" PACKING FEMALE ADAPTOR	12,90
10*	04943960	UPPER "V" PACKING MALE ADAPTOR	12,70
11*	04002040	UPPER PACKINGS KIT ("V" PACKINGS PE 3 pcs. + PTFE 2 pcs.)	34,00
13*	04944810	LOWER "V" PACKING FEMALE ADAPTOR	11,70
14*	04002060	LOWER PACKINGS KIT ("V" PACKINGS PE 3 pcs. + PTFE 2 pcs.)	28,00
16*	04944840	LOWER "V" PACKING MALE ADAPTOR	10,50
19	04000240	SUCTION TUBE PACKING	6,50
20	94944750	SUCTION ROD	323,60
21*	06662040	BALL 1/2"	3,30
22*	04944780	VALVE SEAT	12,20
23*	04944770	VALVE HOLDER PACKING	29,00
24	04944790	BALL GUIDE	6,70
25	04944760	VALVE HOLDER	50,40
26*	04944800	'O' RING $\varnothing 2 \times \varnothing 13$	2,80
27	04943920	VALVE ADAPTOR	38,70
28*	04943930	VALVE SEAT	12,80
29*	06662050	BALL 5/8"	13,30
30	04943940	BALL GUIDE	6,70
31*	04943950	ADAPTOR PACKING	7,30
32*	04946590	'O' RING $\varnothing 2.5 \times \varnothing 17$	0,60
	04002120	FLUID PUMP MAINTENANCE KIT	144,50

(\*) Spare parts included in MAINTENANCE KIT



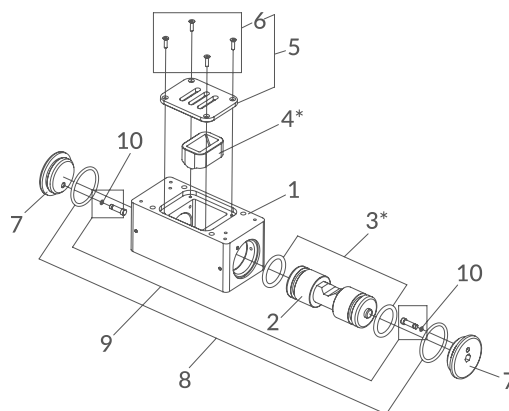
## AIR REGULATOR SET

REF.	CODE	DESCRIPTION	€
1	04444640	PANEL	139,20
2	04444800	AIR REGULATOR	95,40
3	04445850	"T" ADAPTOR - 1/2" FMF	8,10
4	04444910	NIPPLE - 1/2"	2,70
5	04444930	ELBOW UNION - 1/2" MF	5,90
6	04444860	REDUCER - G1/2"-G1/4"	2,00
7	UL30010501	SPECIAL NIPPLE - R1/4" - G1/4"	4,10
8	04444650	PRESSURE GAUGE	32,40
9	04444940	ELBOW UNION - 1/8" - ø 6	3,70
10	04444850	"T" ADAPTOR - 1/2" FFF	8,30
11	04444920	ELBOW MALE ADAPTOR - 1/2"x ø12	8,30
12	UL30036000	SAFETY VALVE	32,40
13	04444950	FEMALE ADAPTOR - 1/4" - ø6	2,90
14	04444870	BULKHEAD CONNECTOR - 1/4"	4,30
15	04444840	3-WAY VALVE - 1/2"	51,30
16	04447940	ELBOW UNION - 1/8" - ø 8	4,40
17	04444670	AIR HOSE 1 - ø 6 - 160 mm	1,70
18	04447920	AIR HOSE 2 - ø 6 - 200 mm	1,70
19	04444680	AIR HOSE 3 - ø 8 - 80 mm	2,20
20	04447930	AIR HOSE 5 - ø 12	5,50
21	04444830	TOP MOUNTING RING	8,90
22	04447820	EXHAUST FILTER	6,60
23	04001230	ELBOW JOINT - 1/4"	4,50
24	04001130	ELBOW UNION - 1/2" ø 8	4,60



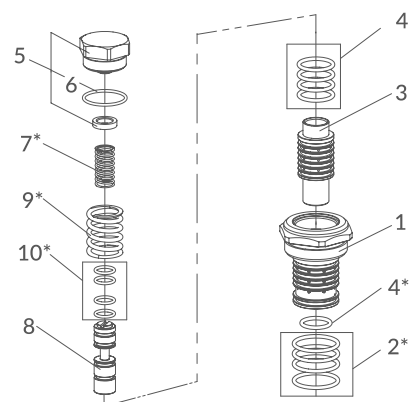
## AIR OPERATING VALVE

REF.	CODE	DESCRIPTION	€
1	94939360	CHANGEVER MAIN BODY	116,60
2	04939410	SPOOL	21,50
3*	94000440	'O' RING SET ø 4 x ø 28	0,70
4*	04939370	CHANGEVER BLOCK	19,20
5	94939380	SEAT PLATE SET [ref. 5 (1 pc.) + ref. 6 (4 pcs.)]	88,80
6	94943720	HEX. SOCKET COUNTERSUNK SCREW	1,10
7	04939390	SIDE CAP	31,70
8	94943770	'O' RING ø 3 x ø 38	1,70
9	94939400	DETENT PISTON SET [ref. 9 (2 pcs.) + ref. 10 (2 pcs.)]	5,80
10	04943810	'O' RING ø 1 x ø 3	0,50



## DOUBLE ACTION PILOT VALVE

REF.	CODE	DESCRIPTION	€
1	94938610	VALVE HOUSING	72,70
2*	-	'O' RING - ø 2 x ø 21.5	
3	94939220	VALVE	19,70
4*	-	'O' RING - ø 2 x ø 14	
5	94939230	CAP	48,70
6	-	'O' RING - ø 1.5 x ø 22	
7	04939240	SPOOL SPRING	2,70
8	94939260	SPOOL	54,60
9	04939250	VALVE SPRING	3,00
10*	-	'O' RING - ø 1.5 x ø 9	
	04001390	PILOT VALVE 'O' RING KIT	9,00

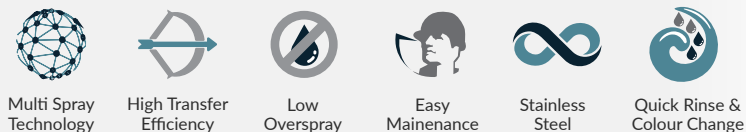


(\*) Spare parts included in 'O' RING KIT



# ICON-M233N MULTI SPRAY PUMP

## FEATURES



Very compact and easily transportable ICON® X3 Multi Spray Pumps for medium to high pressure applications, are ideally suited to the requirements of the industrial sector. Available also on Wall Mount and with Suction Hose Set or Hopper Set.

## TECHNICAL DATA

		ICON-M233N
Plunger Pump		PP-3025N
Pressure Ratio		30:1
Paint Filter	Delivery Paint Filter	TF-1S (100 Mesh)
	Fluid Suction Filter	50 mesh
Max. Fluid Working Pressure		210 bar (21 MPa)
Max. Air Inlet Pressure		7.0 bar (0.7 MPa)
Air Consumption		110 NI/min. at 30 cyc/min.
Fluid Output	Max. Fluid Delivery	25 ml/cyc
	Max. Volume/Min.	2.5 l/min
No. of Cycles per Minute		100 cyc



# ICON-M233N MULTI SPRAY KITS

## THE KIT INCLUDES



**iCon X3**  
Multi Spray Pump



Multi Spray Gun  
MSGS-200 EVO



Conductive high pressure Twin  
Hose NHT-25075 N IC  
(Air/Fluid) code: 14000520

# ICON-M233N



## ICON-M233N Assembled on Cart Frame

### ORDER INFORMATION

CODE	MODEL	TYPE OPTION	GUN MODEL	TYPE OF FILTER	TWIN HOSES	€
<b>ICON-M233N MULTI SPRAY PUMP &amp; KIT</b>						
140012A0	ICON-M233N-S	PUMP UNIT				3151,00
140003A0	ICON-M233N-S1	SUCTION HOSE SET	MSG5-200-250L	Long - 100 Mesh	NHT-25075 N IC (7.5 m)	4254,00
140004A0	ICON-M233N-S2	SUCTION HOSE SET	MSG5-200-250S	Short - 100 Mesh	NHT-25075 N IC (7.5 m)	4254,00
140007A0	ICON-M233N-H	PUMP UNIT				3200,00
140008A0	ICON-M233N-H1	HOPPER SET (6 lt.)	MSG5-200-250L	Long - 100 Mesh	NHT-25075 N IC (7.5 m)	4310,00
140009A0	ICON-M233N-H2	HOPPER SET (6 lt.)	MSG5-200-250S	Short - 100 Mesh	NHT-25075 N IC (7.5 m)	4310,00

## ICON-M233N Assembled on Wall Mount

### ORDER INFORMATION

CODE	MODEL	TYPE OPTION	GUN MODEL	TYPE OF FILTER	TWIN HOSES	€
<b>ICON-M233N MULTI SPRAY PUMP &amp; KIT</b>						
140019A0	ICON-M233N-SWM	PUMP UNIT				2837,00
140015A0	ICON-M233N-SWM1	SUCTION HOSE SET	MSG5-200-250L	Long - 100 Mesh	NHT-25075 N IC (7.5 m)	3900,00
140016A0	ICON-M233N-SWM2	SUCTION HOSE SET	MSG5-200-250S	Short - 100 Mesh	NHT-25075 N IC (7.5 m)	3900,00
140024A0	ICON-M233N-HWM	PUMP UNIT				2885,00
140020A0	ICON-M233N-HWM1	HOPPER SET (6 lt.)	MSG5-200-250L	Long - 100 Mesh	NHT-25075 N IC (7.5 m)	3955,00
140021A0	ICON-M233N-HWM2	HOPPER SET (6 lt.)	MSG5-200-250S	Short - 100 Mesh	NHT-25075 N IC (7.5 m)	3955,00

### ICON-M233N Multi Spray Kit



Version with HOPPER SET (6lt.)

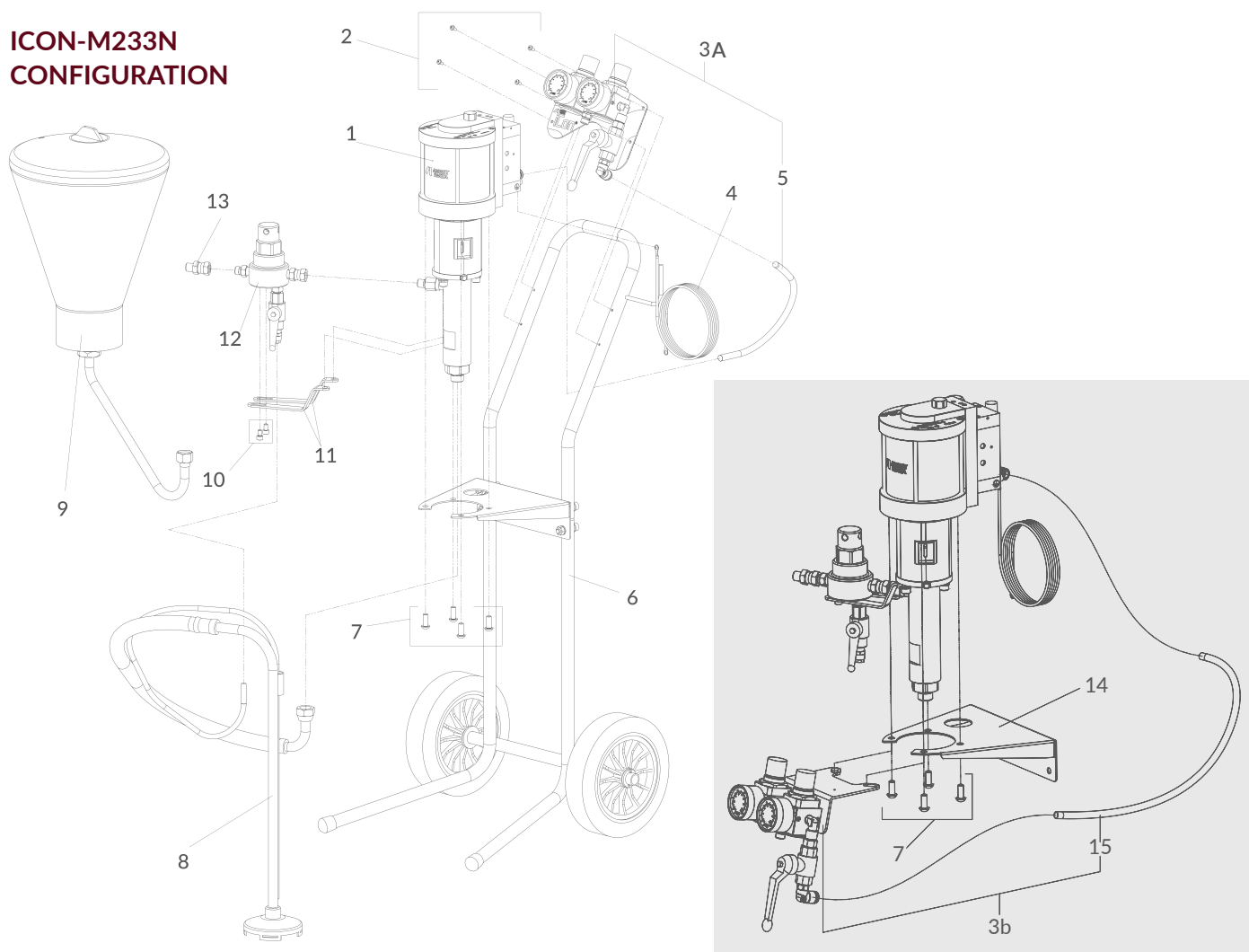


Version with wall mount BRACKET



# ICON-M233N MULTI SPRAY PUMP

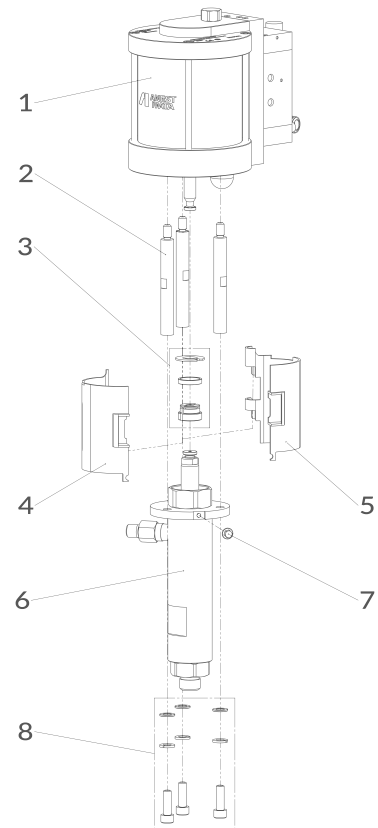
## ICON-M233N CONFIGURATION



REF.	CODE	DESCRIPTION	€
1	-	PLUNGER PUMP (PP-3025N)	
2	94444790	SOCKET BUTTON HEAD SCREW (4 pcs)	0,60
3a	940188A0	AIR REGULATOR SET for CART FRAME version	343,20
3b	940189A0	AIR REGULATOR SET for WALL MOUNT version	346,70
4	ME100001	GROUND WIRE SET	5,90
5	940157A0	AIR HOSE 0,3 m	1,40
6	940085A0	CART FRAME	338,80
7	960055A0	HEX. SOCKET BUTTON HEAD SCREW M8x20 SET (4 pcs)	6,60
8	0101010000	SUCTION HOSE SET	197,50
9	04005510	HOPPER SET 6 lt.	410,50
10	960056A0	HEX. SOCKET BOLT M6x10 SET (2 pcs)	1,40
11	940052A0	FILTER STAY	18,20
12	140002A0	DELIVERY PAINT FILTER SET TF-1S	317,50
13	94006030	ADAPTER G1/4"F - NPSM 1/4"M	36,30
14	940192A0	WALL MOUNT SUPPORT	45,50
15	940060A0	AIR HOSE 0,5 m	2,30
	940212A0	AIR EXTENTION HOSE KIT	67,50

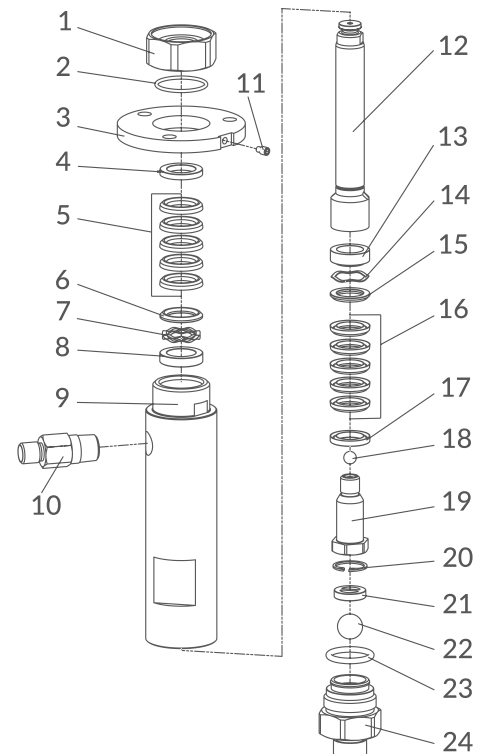
## PLUNGER PUMP SET

REF.	CODE	DESCRIPTION	€
1	940000A0	AIR MOTOR	1113,20
2	940036A0	CONNECTING ROD	38,10
3	940193A0	COUPLING KIT	70,00
4	940093A0	ROD COVER LEFT	38,30
5	940094A0	ROD COVER RIGHT	38,30
6	940014A0	FLUID PUMP SET	1294,60
7	960047A0	HEX. SOCKET FLANGE BOLT M5x12	3,00
8	940170A0	SCREWS & WASHERS SET (3+3+3 pcs.)	45,60



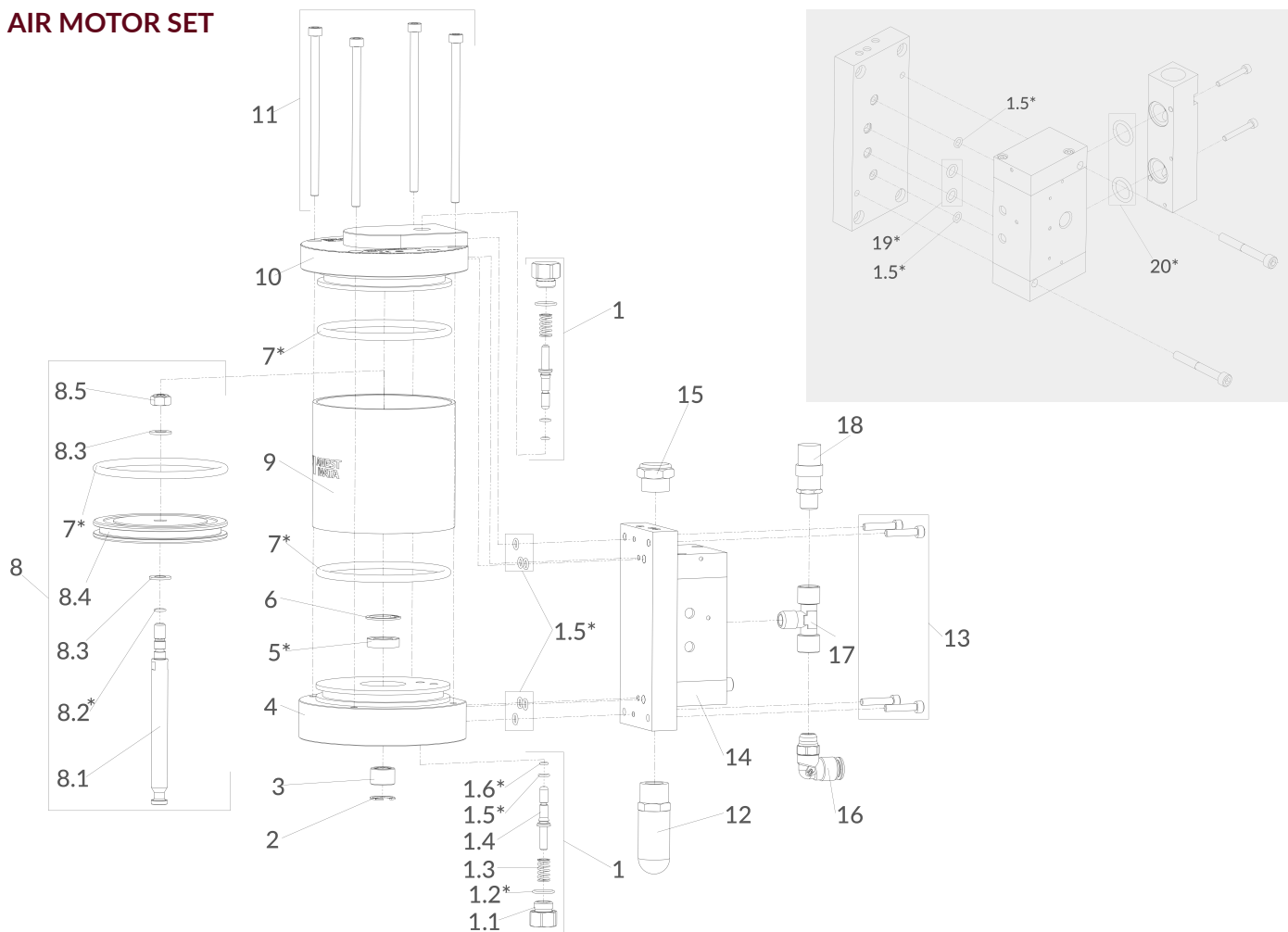
## FLUID PUMP SET

REF.	CODE	DESCRIPTION	€
1	940031A0	PACKING HOLDER	24,60
2	960011A0	O-RING 2.0-29.5	1,40
3	940112A0	FLANGE	63,20
4	940126A0	V-PACKING FEMALE ADAPTOR (UPPER)	8,00
5	940069A0	V-PACKING SET (UPPER) (3 PE + 2 PTFE)	85,00
6	940123A0	V-PACKING MALE ADAPTOR (UPPER)	7,40
7	940122A0	MULTI WAVE SPRING	22,70
8	940121A0	SPRING HOLDER (UPPER)	6,80
9	940015A0	SUCTION TUBE	494,80
10	940032A0	FLUID OUTPUT JOINT	13,80
11	960040A0	PLUG	1,20
12	940166A0	SUCTION ROD	192,50
13	940127A0	SPRING HOLDER (LOWER)	6,90
14	940128A0	NESTED SPRING	34,90
15	940129A0	V-PACKING MALE ADAPTOR (LOWER)	7,90
16	940070A0	V-PACKING SET (LOWER) (3 PE + 2 PTFE)	85,00
17	940132A0	V-PACKING FEMALE ADAPTOR (LOWER)	8,20
18	06662025	BALL 5/16"	4,40
19	940021A0	VALVE HOLDER	69,00
20	960014A0	SEEGER 20	0,60
21	04944770	VALVE HOLDER PACKING	29,00
22	06662050	BALL 5/8"	13,30
23	960015A0	O-RING 3.53-23.39	6,20
24	940033A0	VALVE ADAPTOR	100,50



# ICON-M233N MULTI SPRAY PUMP

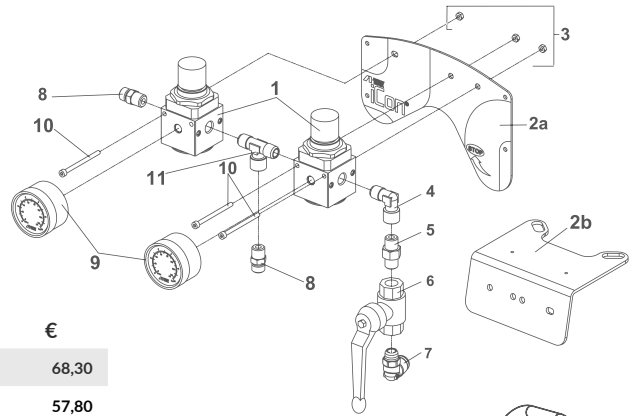
## AIR MOTOR SET



REF.	CODE	DESCRIPTION	€	REF.	CODE	DESCRIPTION	€
1	940073A0	PILOT VALVE SET	83,80	8.4	940004A0	AIR PISTON	66,80
1.1	940007A0	PILOT VALVE CAP	26,50	8.5	960003A0	SELF LOCKING HEX. NUT	0,60
1.2*	96997009	O-RING $\phi$ 1.5-13.5	1,20	9	940008A0	CYLINDER	61,80
1.3	940006A0	PILOT VALVE SPRING	11,40	10	940010A0	HEAD MODULE	135,40
1.4	940005A0	PILOT VALVE SHAFT	19,80	11	960006A0	HEX. SOCKET BOLT M6x120	15,50
1.5*	96997003	O-RING $\phi$ 1.5-5.5	4,40	12	960010A0	MUFFLER	21,80
1.6*	96997012	O-RING $\phi$ 1.5-3.5	12,70	13	96350525	HEX. SOCKET BOLT M5x25	0,60
2	960000A0	SEEGER 18	1,20	14	940174A0	AIR OPERATING VALVE	470,00
3	940002A0	METAL	4,80	15	04447820	EXHAUST FILTER	6,60
4	940001A0	BOTTOM MODULE	175,50	16	UL300309	ELBOW UNION	7,60
5*	960001A0	U-PACKING	3,50	17	UL30030000	T-JOINT	6,70
6	960002A0	SEEGER 24	1,80	18	UL30036000	SAFETY VALVE	32,40
7*	960004A0	O-RING $\phi$ 5.33-89.69	4,70	19*	060031A0	O-RING $\phi$ 1.78-7.65	4,90
8	940065A0	PISTON ROD SET	163,70	20*	060008A0	O-RING $\phi$ 2.62-15.54	0,50
8.1	940159A0	PISTON ROD	42,30		940072A0	O-RING SET FOR AIR MOTOR & AIR OPERATING VALVE	97,60
8.2*	960052A0	O-RING $\phi$ 1.5-6	2,90				
8.3	06363080	WASHER	1,20				

(\*) Spare parts included in 'O' Ring Set

For CART FRAME Version      For WALL MOUNT Version

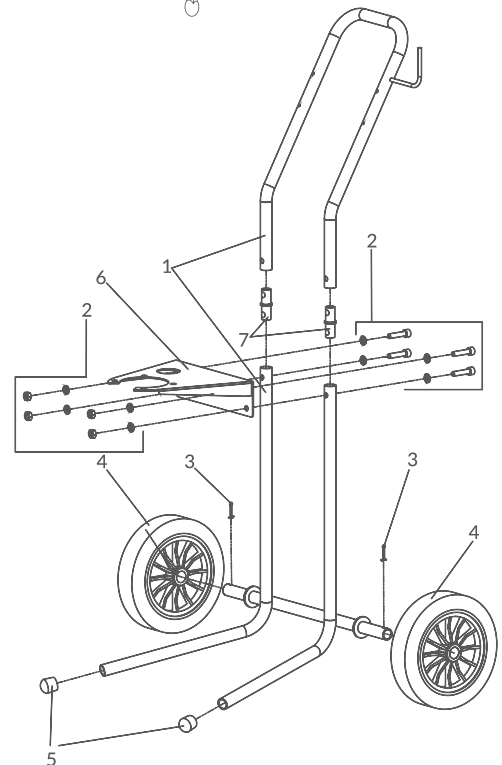


## AIR REGULATOR SET

REF.	CODE	DESCRIPTION	€
1	UI00070001	AIR REGULATOR	68,30
2a	940156A0	PANEL (for Cart Frame version)	57,80
2b	UL00005201	PLATE FOR AIR REGULATOR (for Wall Mount version)	20,30
3	UL300700	HEX. NUT M4	0,20
4	UL300201	L-JOINT	20,40
5	UL300101	NIPPLE	4,50
6	UL30034901	BALL VALVE WITH EXHAUST HOLE	64,60
7	UL300309	"L" QUICK COUPLING	7,60
8	UL30010501	SPECIAL NIPPLE R1/4" - G1/4"	4,10
9	02004003	PRESSURE GAUGE (bar - psi)	29,30
10	06350455	BOLT WITH HEX. HOLE M4x55	3,50
11	UL300303	T-JOINT	4,60

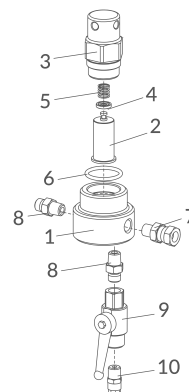
## CART FRAME SET

REF.	CODE	DESCRIPTION	€
1	940113A0	CART FRAME STRUCTURE	307,90
2	940169A0	SCREWS, NUTS & WASHER SET (4+4+8 pcs.)	24,70
3	UL300811	SPLIT PIN	0,30
4	UL200001	WHEEL	12,70
5	960019A0	RUBBER CAP	2,80
6	940192A0	WALL MOUNT SUPPORT	45,50
7	940089A0	CONNECTION ELEMENT	9,30



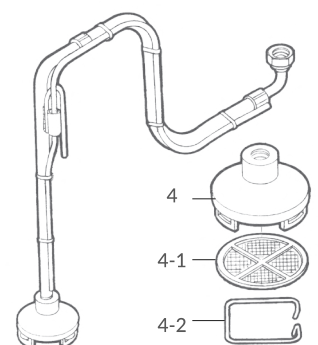
## TF-15 DELIVERY PAINT FILTER SET

REF.	CODE	DESCRIPTION	€
1	940053A0	FILTER BODY	62,90
2	VFM2704	FILTER 100 MESH	12,50
3	940054A0	CYLINDER	36,30
4	940055A0	WASHER	6,10
5	940056A0	FILTER SPRING	13,00
6	960021A0	O-RING 3.53-32.92	7,00
7	96859022	SWIVEL JOINT R1/4"M - G1/4"F	47,00
8	UL300462	JOINT G1/4" - R1/4"	55,70
9	UL30090100	DRAIN VALVE	158,00
10	UL300302	HOSE JOINT	2,70



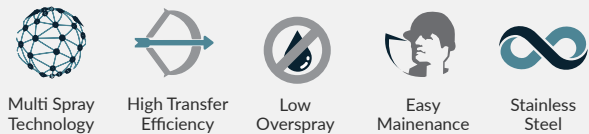
## SUCTION HOSE SET

REF.	CODE	DESCRIPTION	€
4	UL10000701	COMPLETE COVER SET	38,90
4-1	0040720100	FILTER 50 MESH	7,10
4-2	00407203	FILTER STOPPER	3,50



# MSU-113N MULTI SPRAY PUMP

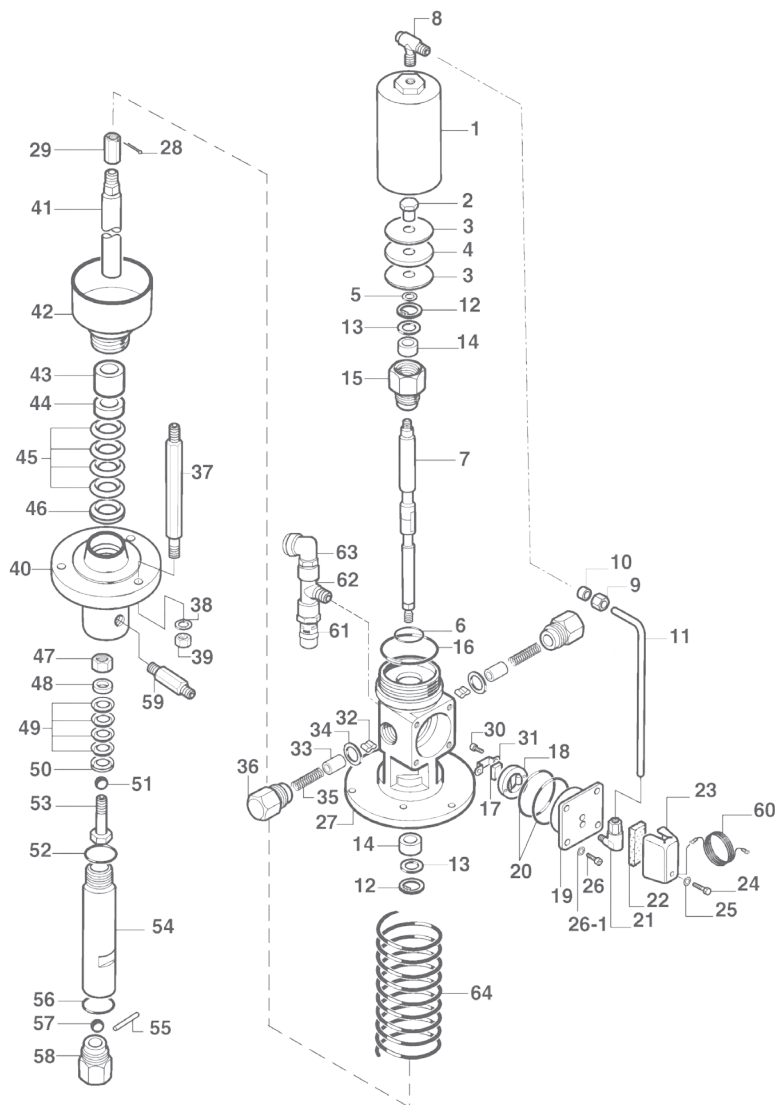
## FEATURES



Small size Multi Spray Pump. Ideal for spraying medium quantity of paint with frequent colour changes. Suitable for Water Based Paints. Available with or without delivery paint filter.

## TECHNICAL DATA

		MSU 113N
Plunger Pump		PP-71310
Pressure Ratio		13:1
Paint Filter	Delivery Paint Filter	TF-8N (100 Mesh)
	Fluid Suction Filter	50 mesh
Max. Fluid Working Pressure		88 bar (8.8 MPa)
Max. Air Inlet Pressure		6.8 bar (6.8 MPa)
Max. Fluid Output		1.9 l/min
Delivery Cycle		17 ml/cycle
Max. N. of Cycle		110 cycle/min.





# SPARE PARTS



## ORDER INFORMATION

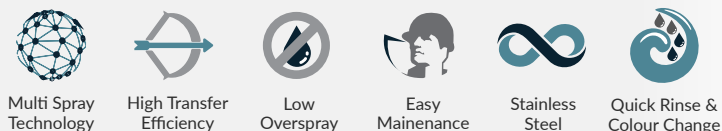
CODE	MODEL	€
1M131W083100	MSU 113 N MULTI SPRAY UNIT WITH DELIVERY PAINT FILTER	3214,3
1M131W003100	MSU 113 N MULTI SPRAY UNIT WITHOUT DELIVERY PAINT FILTER	2977,0
04307152	AIR REGULATOR SET	256,20
1457000000	TF-8 N DELIVERY PAINT FILTER SET	644,80
0101010000	DIP TUBE SET with STAINLESS STEEL CONNECTION - 50 MESH FILTER 1/2"	197,50
04326160	DRAIN VALVE SET	373,50

REF.	CODE	DESCRIPTION	€	REF.	CODE	DESCRIPTION	€
1	04401051	AIR CYLINDER	47,00	32	04457062	INTERLOCK PIECE	5,80
2	04437050	CAP NUT	6,90	33	04457090	INTERLOCK END PIECE	13,70
3	04444050	WASHER	17,80	34	04428050	WASHER	7,50
4	04447080	PACKING	3,10	35	04412060	SPRING	2,80
5	UL300800	WASHER	0,30	36	04458070	CAP	37,20
6	06630022	O-RING	0,20	37	0171002010	CONNECTING ROD	28,20
7	04492050	SPINDLE SET	162,60	38	UL300802	SPRING WASHER	0,30
8	04438081	SPECIAL JOINT	6,60	39	UL300703	HEXAGON NUT	0,40
9	06805480	JOINT NUT	2,40	40	0448310100	SUCTION MAIN BODY	97,50
10	06806480	SLEEVE	1,80	41	04403080	ROD	96,70
11	04486052	HOSE	1,40	42	04404080	THINNER CUP SET	47,20
12	06613240	STOPPER	0,45	43	04022090	SLEEVE	7,40
13	04444090	WASHER	2,40	44	04404090	V PACKING FEMALE UPPER ADAPTOR	12,50
14	04449080	PACKING	9,40	45	0493210000	UPPER V PACKING SET (4 pcs./1pk.)	22,80
15	04459051	STOPPER	20,30	46	04405090	V PACKING MALE UPPER ADAPTOR	13,70
16	06634060	O-RING	0,50	47	04407050	NUT	7,20
17	04488051	BLOCK	3,70	48	04408050	V PACKING MALE LOWER ADAPTOR	12,50
18	04406051	GUIDE PLATE	1,20	49	0493010000	LOWER V PACKING SET (4 pcs./1pk.)	19,50
19	04405060	SEAT BLOCK	243,20	50	04410050	V PACKING FEMALE LOWER ADAPTOR	13,90
20	06634045	O- RING	0,50	51	06662050	BALL	13,30
21	06800481	ELBOW UNION	14,20	52	04447600	PACKING	11,90
22	04402050	PACKING	0,50	53	04461100	VALVE HOLDER SET	257,10
23	04405051	EXHAUST COVER	6,40	54	04411050	SUCTION TUBE	230,20
24	06154073	SCREW	0,50	55	04420600	PIN	0,90
25	06500406	SPRING WASHER	0,90	56	04447610	PACKING	2,80
26	06136614	BOLT	0,70	57	06662025	BALL	4,40
26-1	UL300820	SPRING WASHER	0,90	58	04407060	VALVE ADAPTOR SET	108,30
27	04943051	MAIN BODY SET	245,20	59	UM43060900	FLUID OUTPUT JOINT	28,40
28	UL300811	SPLIT PIN	0,20	60	ME100001	GROUND WIRE	5,90
29	04400080	ADAPTOR	13,30	61	UL30036000	SAFETY VALVE	32,40
30	06131308	SCREW	0,70	62	UL30030000	"T" JOINT	6,70
31	04488061	BLOCK CARRIER	2,20	63	UL300309	"L" QUICK COUPLING	7,60
32	04457062	INTERLOCK PIECE	5,80	64	04413050	SPRING	16,40



# MSU-323 C - MSU-323 CTX MSU-423 TX - MSU-3433 TX

## FEATURES



MSU series Multi Spray Pumps for medium to high pressure applications, is suitable for low-medium and high paints viscosity and Tixotropic paints. Supplied with UHMWPE packings to ensure long life and with stainless steel fluid passages for solvent- or water- based paints. They are available in different pressure ratios and fluid output volumes.

## TECHNICAL DATA

	MSU 323 C	MSU 323 CTX	MSU 423 TX	MSU 433 TX
Plunger Pump	PP-1171C	PP-1171CNE	PP-4231NE	PP-4301CNE
Pressure Ratio	17:1		23:1	30:1
Delivery Paint Filter	TF-8 (100 Mesh)	TF-8N (100 Mesh)	TF-8N (100 Mesh)	
Suction Paint Filter	50 mesh		30 mesh	
Max. Fluid Working Pressure	115 bar		156 bar	204 bar
Max. Air Inlet Pressure	6.8 bar		6.8 bar	
Max. Fluid Output	3.4 l/min		8.0 l/min	5.0 l/min
Max. N. of Cycle	90 cycle/min.		100 cycle/min.	90 cycle/min.



## ORDER INFORMATION

CODE	MODEL	CONFIGURATION	€
1405874200	MSU-323 C	MULTI SPRAY UNIT (17:1)	2945,70
1M171W083100	MSU-323 CTX	MULTI SPRAY UNIT (17:1) with STAINLESS STEEL FLUID PASSAGES	4197,00
1M231W083100	MSU-423 TX	MULTI SPRAY UNIT (23:1) with STAINLESS STEEL FLUID PASSAGES	4732,00
1M301W083100	MSU-433 TX	MULTI SPRAY UNIT (30:1) with STAINLESS STEEL FLUID PASSAGES	46770,60

## MODELS



MSU-323 C



MSU-323 CTX



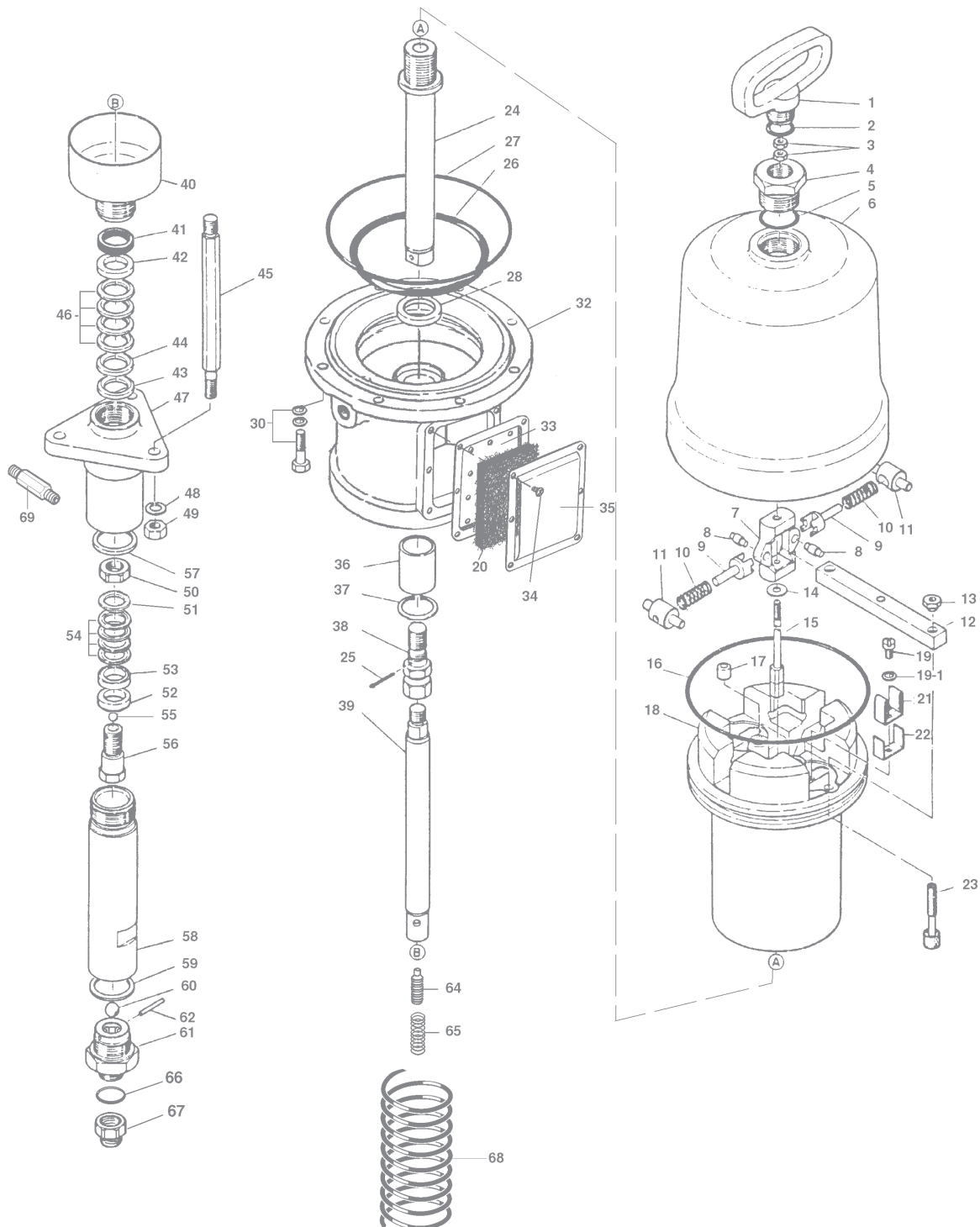
MSU-423 TX / MSU-433 TX

# SPARE PARTS



## ORDER INFORMATION

CODE	DESCRIPTION	FOR VERSION	€
1456000000	TF-8 DELIVERY PAINT FILTER SET	for MSU 323 C	234,90
1457000000	TF-8 N DELIVERY PAINT FILTER SET	for MSU 323 CTX - MSU 423 TX - MSU 433 TX	644,80
0200309502	AIR REGULATOR SET	for MSU 323 C - MSU 323 CTX	315,30
0200309602	AIR REGULATOR SET	for MSU 423 TX - MSU 433 TX	311,30
0101009000	DIP TUBE SET (50 mesh filter)	for MSU 323 C	146,50
0101030000	DIP TUBE SET with STAINLESS STEEL CONNECTION (30 mesh filter)	for MSU 423 TX - MSU 433 TX	355,00
0101010000	DIP TUBE SET with STAINLESS STEEL CONNECTION (50 mesh filter)	for MSU 323 CTX	197,50



# MSU Series MULTI SPRAY PUMPS

REF.	CODE	DESCRIPTION		MSU-323 C	MSU-323 CTX	MSU-423 TX	MSU-433 TX	€
1	04470100	HANDLE		X	X	X	X	33,50
2	04447100	PACKING		X	X	X	X	7,60
3	UL300702	HEXAGON NUT		X	X	X	X	0,70
4	04435100	HEAD BOLT		X	X			29,60
4	04435150	HEAD BOLT				X	X	26,00
5	06630030	'O' RING		X	X	X	X	1,30
6	0440110000	AIR CYLINDER		X	X			176,40
6	0440115000	AIR CYLINDER				X	X	212,90
7	04409100	CHANGEVER MAIN BODY		X	X			174,10
7	04409150	CHANGEVER MAIN BODY				X	X	64,30
8	04420100	PIN		X	X			10,70
8	04420150	PIN				X	X	12,70
9	04411100	CHANGEVER PIN		X	X			37,60
9	04411150	CHANGEVER PIN				X	X	37,60
10	04412100	SPRING		X	X			5,00
10	04412150	SPRING				X	X	5,10
11	04419100	SPRING HOLDER		X	X			22,50
11	04419150	SPRING HOLDER				X	X	28,60
12	04407100	CHANGEVER BAR		X	X			66,40
12	04407150	CHANGEVER BAR				X	X	48,30
13	04415100	NUT		X	X			5,60
13	04415150	NUT				X	X	5,60
14	04444110	WASHER		X	X	X	X	0,50
15	04410100	CHANGEVER ROD		X	X			33,70
15	04410150	CHANGEVER ROD				X	X	14,40
16	06638043	PISTON O-RING		X	X			1,90
16	06630145	PISTON O-RING				X	X	2,20
17	04935680	EXHAUST PACKING SET	(2 pcs./1pk.)	X	X	X	X	4,80
18	0440310000	AIR PISTON		X	X			282,20
18	0440315000	AIR PISTON				X	X	425,90
19	UL300606	SCREW		X	X	X	X	0,30
19-1	UL300820	SPRING WASHER		X	X	X	X	0,90
20	UM331028	MUFFLER FILTER		X	X	X	X	2,40
21	04408100	CHANGEVER BAR SUPPORT		X	X			14,60
21	04408150	CHANGEVER BAR SUPPORT				X	X	14,60
22	04413100	REINFORCE PLATE		X	X			8,70
22	04413150	REINFORCE PLATE				X	X	8,20
23	0493469001	VALVE SHAFT KIT	(2 pcs./1pk.)	X	X			73,10
23	0493657001	VALVE SHAFT KIT	(2 pcs./1pk.)			X	X	79,90
24	04479100	PISTON ROD		X	X			105,80
24	04479150	PISTON ROD				X	X	126,40
25	UM330155	SPLIT PIN		X	X	X	X	0,70
26	06638039	'O' RING		X	X			1,70
26	06630112	'O' RING				X	X	2,00
27	06634120	'O' RING		X	X			7,40
27	06637537	'O' RING				X	X	8,00
28	04459100	STOPPER		X	X	X	X	3,50
30	06137130	BOLT + WASHER		X	X			1,50
30	06137830	BOLT + WASHER				X	X	1,00
32	UM33102102	MAIN BODY		X	X			211,20
32	UM43102102	MAIN BODY				X	X	221,90
33	UM331027	MUFFLER PLATE		X	X	X	X	15,00
34	UL300620	SCREW		X	X	X	X	0,90
35	UM331026	EXHAUST COVER		X	X	X	X	13,90
36	04431100	BUSHING		X	X			65,90
36	04431150	BUSHING				X	X	70,70
37	UL300804	STOPPER		X	X			2,20
37	UM431060	STOPPER				X	X	1,30
38	04485100	CONNECTING ADAPTOR		X	X			13,10
38	04485150	CONNECTING ADAPTOR				X	X	13,10
39	04002790	ROD			X		X	416,80
39	04430150	ROD		X				305,60
39	0231001000	ROD				X		423,60
40	0231002001	THINNER CUP SET				X		122,20
40	0448215002	THINNER CUP SET		X				107,10
40	0171003001	THINNER CUP SET			X		X	132,90

# SPARE PARTS



REF.	CODE	DESCRIPTION		MSU-323 C	MSU-323 CTX	MSU-423 TX	MSU-433 TX	€
41	04010700	SLEEVE				X		5,60
41	04471150	SLEEVE		X				77,30
41	0171009000	SLEEVE			X		X	5,00
42	0231003000	V PACKING FEMALE UPPER ADAPTOR				X		31,50
42	04441150	V PACKING FEMALE UPPER ADAPTOR		X				20,20
42	04004790	V PACKING FEMALE UPPER ADAPTOR			X		X	31,20
43	04401160	SPACER		X				13,50
43	04001160	SPACER			X		X	12,60
43	0231025000	SPACER				X		13,70
44	0231005000	V PACKING MALE UPPER ADAPTOR				X		25,00
44	04443150	V PACKING MALE UPPER ADAPTOR		X				23,00
44	04000800	V PACKING MALE UPPER ADAPTOR			X		X	25,70
45	0231022001	CONNECTING ROD				X	X	27,70
45	0443056000	CONNECTING ROD		X				28,40
45	0171002010	CONNECTING ROD			X			28,20
46	0494015000	UPPER V PACKING SET	(4 pcs./1pk.)	X	X		X	29,00
46	0494231100	UPPER V PACKING SET	(4 pcs./1pk.)			X		30,90
47	0231008001	SUCTION MAIN BODY				X		156,10
47	0448315100	SUCTION MAIN BODY		X				105,80
47	0171008001	SUCTION MAIN BODY			X		X	119,40
48	UL300802	SPRING WASHER		X	X	X	X	0,30
49	UL300703	HEXAGON NUT		X	X	X	X	0,40
50	0231020000	NUT				X		14,60
50	04414150	NUT		X				52,50
50	04000790	NUT			X		X	57,70
51	0231019000	V PACKING MALE LOWER ADAPTOR				X		22,50
51	04443161	V PACKING MALE LOWER ADAPTOR		X				25,30
51	04001800	V PACKING MALE LOWER ADAPTOR			X		X	22,70
52	0231010000	LOWER DISTANCE RING				X		13,50
52	04400160	LOWER DISTANCE RING		X				13,90
52	0400016000	LOWER DISTANCE RING			X		X	14,10
53	0231017000	V PACKING FEMALE LOWER ADAPTOR				X		20,10
53	04441160	V PACKING FEMALE LOWER ADAPTOR		X				18,10
53	04005790	V PACKING FEMALE LOWER ADAPTOR			X		X	24,90
54	0494231200	LOWER V PACKING SET	(4 pcs./1pk.)			X		30,90
54	0494215000	LOWER V PACKING SET	(4 pcs./1pk.)	X	X		X	28,70
55	06662025	BALL		X				4,40
55	06662040	BALL				X		3,30
55	06662026	BALL			X		X	8,20
56	0231029001	VALVE HOLDER SET				X		210,60
56	04460160	VALVE HOLDER SET		X				270,90
56	0446017100	VALVE HOLDER SET			X		X	201,00
57	0231007000	UPPER PACKING				X		9,70
57	04447150	UPPER PACKING		X				12,70
57	0231015000	UPPER PACKING			X		X	12,90
58	0231024000	SUCTION TUBE				X		435,7
58	0443415001	SUCTION TUBE		X				315,7
58	0171001000	SUCTION TUBE			X		X	516,0
59	0231030000	LOWER PACKING			X	X	X	12,90
59	04447160	LOWER PACKING		X				12,70
60	06662050	BALL		X				13,30
60	06662051	BALL			X	X	X	13,90
61	0231028000	VALVE ADAPTOR SET			X	X	X	176,10
61	04460150	VALVE ADAPTOR SET		X				108,80
62	0231023000	PIN			X	X	X	4,40
62	04420160	PIN		X				4,20
63	04420170	PIN		X	X		X	4,10
64	0231009000	SCREW				X		1,20
64	UM43060900	FLUID OUTPUT JOINT			X			28,40
65	0231014000	SPRING				X		1,10
66	0231031000	PACKING				X	X	4,30
67	UL30046400	NIPPLE				X	X	43,80
68	04413050	SPRING		X	X	X	X	16,40
69	UM43061000	FLUID OUTPUT JOINT				X		31,60
69	UM43060900	FLUID OUTPUT JOINT					X	28,40
72	UM43061101	FLUID OUTPUT JOINT		X				25,30



# 5

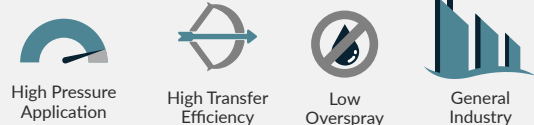
PAINT  
SUPPLY SYSTEM

HIGH  
PRESSURE  
AIRLESS  
EQUIPMENTS



# AL96-S5 AUTOMATIC AIRLESS SPRAY GUN

## FEATURES



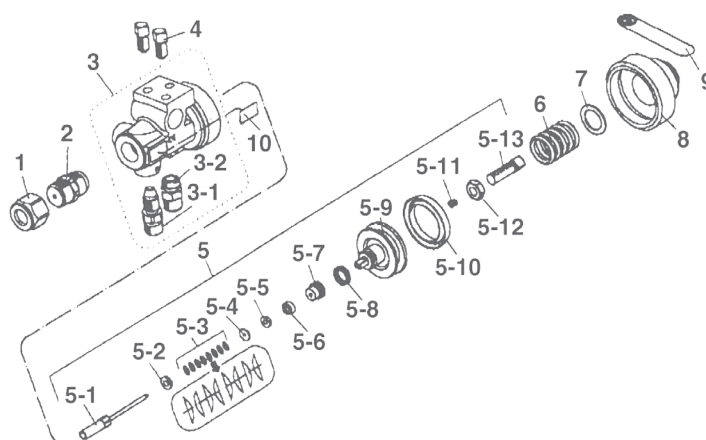
Automatic Airless Spray Gun, designed for high pressure automatic applications.

## TECHNICAL DATA

Max. Operating Pressure	250 bar
Air and Fluid Connection	G1/4"

## ORDER INFORMATION

CODE	MODEL	€
NOZZLE TIP NON INCLUDED (Nozzle Tip reference page 107)		
13698520	AL96-S5 AUTOMATIC AIRLESS SPRAY GUN	1064,10



## SPARE PARTS

REF.	CODE	DESCRIPTION	MODEL	€	REF.	CODE	DESCRIPTION	€
	94966400	TIP PACKING		6,40	5-8	06996607	MINI 'Y'PACKING	14,90
1	93547180	NOZZLE HOLDER	(11/16") AL96-S5	41,10	5-9	03932590	PISTON SET	146,50
2	93545180	NOZZLE GLAND	(11/16") AL96-S5	238,60	5-10	93029591	PISTON PACKING	20,00
1	03503170	NOZZLE HOLDER	(M18x1.5) AL96	185,00	5-11	06994603	SCREW	2,20
2	93803170	NOZZLE GLAND SET	(M18x1.5) AL96	185,00	5-12	06383086	HEXAGON NUT	0,90
3-1	03161590	FLUID NIPPLE		65,20	5-13	06120810	SCREW	5,20
3-2	03512580	AIR NIPPLE		17,80	6	03223600	PISTON SPRING	25,60
4	03811580	BOLT SET		32,20	7	03182590	COLLAR	14,90
5	93906590	NEEDLE SET		407,70	8	03225600	PISTON SPRING HOLDER	64,00
5-1	93808170	NEEDLE BAR SET		46,80		93978600	TIP FILTER (OPTIONAL)	162,40
5-2	03504180	SPRING HOLDER		14,90	11	03174780	TIP FILTER	11,60
5-3	03844170	CONICAL SPRING WASHER	(8 pcs./1 pk.)	6,50	12	03590600	FILTER ADAPTOR	119,00
5-4	03067951	PACKING HOLDER		8,20	13	04591460	PACKING	7,30
5-5 - 5-6	03846170	NEEDLE PACKING SET		20,90		VFM2802/B	FILTER 100 Mesh	17,30
5-7	03505180	NEEDLE PACKING SEAT		16,50				



# ALG7 TE WB AIRLESS MANUAL SPRAY GUN



## FEATURES



Airless Spray Gun, designed for high pressure application is ideal for the Nautical and Building sector and available also for cladding of wooden and steel structures.



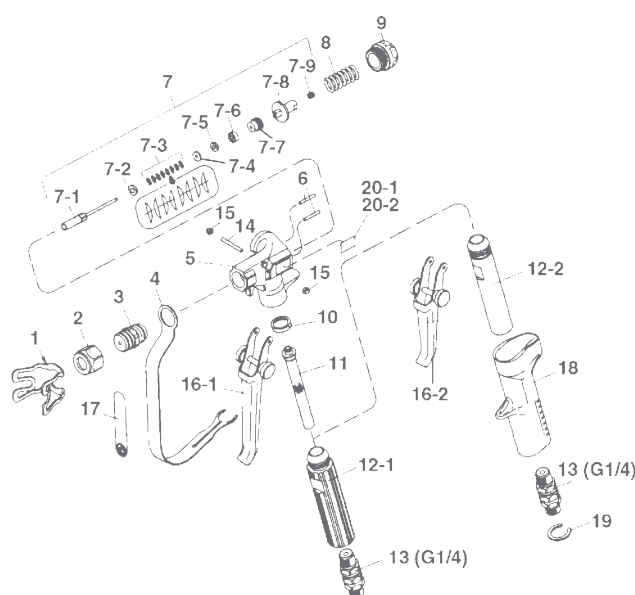
## TECHNICAL DATA

Max. Operating Pressure	250 bar
Fluid Connection	G1/4"
Paint filter (included)	100 Mesh

## ORDER INFORMATION

CODE	MODEL	€
<b>NOZZLE TIP NON INCLUDED (Nozzle Tip reference page 107)</b>		
13088270	ALG7 TE WB AIRLESS MANUAL SPRAY GUN (TRIGGER 4 Fingers)	549,60
13088280	ALG7 TE WB AIRLESS MANUAL SPRAY GUN (TRIGGER 2 Fingers)	703,00

## SPARE PARTS



REF.	CODE	DESCRIPTION	€
	94966400	TIP PACKING	6,40
1	03501170	HAND GUARD	30,30
2	93547180	NOZZLE HOLDER (11/16")	41,10
3	93545180	NOZZLE GLAND SET (11/16")	238,60
4	93504170	SAFETY GUARD	41,10
6	03502180	NEEDLE SEAT	18,80
7	93807170	NEEDLE SET	128,70
7-1	93808170	NEEDLE BAR SET	46,80
7-2	03504180	SPRING HOLDER	14,90
7-3	03844170	CONICAL SPRING WASHER (8 pcs./1 pk.)	6,50
7-4	03067951	PACKING HOLDER	8,20
7-5, 7-6	03846170	NEEDLE PACKING SET	20,90
7-7	03505180	NEEDLE PACKING SEAT	16,50
7-8	03500190	NEEDLE SPRING HOLDER	46,80
7-9	06994603	SCREW	2,20
8	03501190	NEEDLE SPRING	17,70

REF.	CODE	DESCRIPTION	€
9	93074790	NEEDLE SPRING SEAT	46,90
10	03529180	PACKING	6,80
11	VFM2008	FILTER 100 Mesh Yellow	3,20
12-1	03503190	HANDLE ALG 7 WB	95,00
12-2	93511180	HANDLE ALG 72 WB	87,70
13	93003951	UNIVERSAL JOINT G 1/4"	168,60
14	03504190	TRIGGER STUD	16,80
15	06994103	HEX. CAP NUT	1,50
16-1	03805180	TRIGGER SET (4 fingers) ALG 7 WB	84,10
16-2	93806180	TRIGGER SET (2 fingers) ALG 72 WB	87,70
18	93507190	OUTER HANDLE	93,40
19	03525170	STOPPER ALG 72 WB	4,10



# FG-61 & FG-62 EXTRUSION FLOW GUNS

## FEATURES



High Pressure Application



Extrusion System



General Industry

Extrusion Flow Guns, designed for application of medium - high viscosity fluids, such as adhesives and sealants.



## TECHNICAL DATA

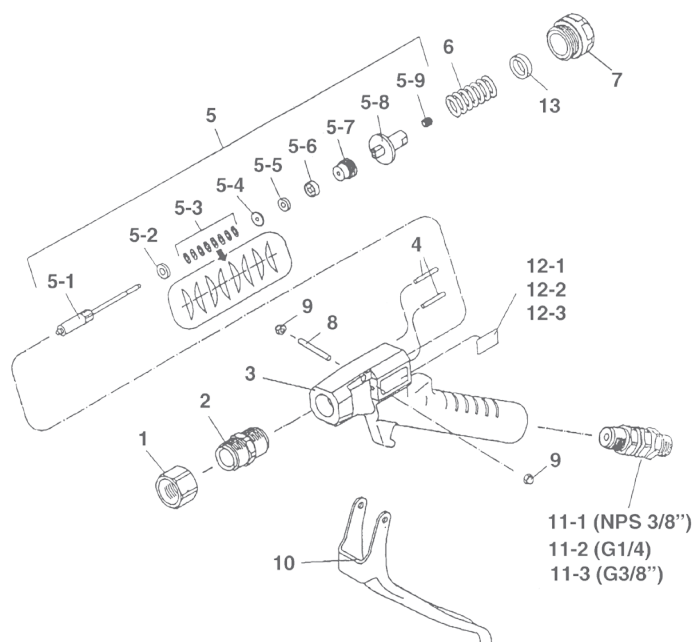
	FG-61	FG-62
Max. Operating Pressure	250 bar	
Fluid Connection	G1/4"	G3/8"

## ORDER INFORMATION

CODICE	CONFIGURAZIONE	€
<b>NOZZLE TIP NON INCLUDED (Nozzle Tip reference page 107)</b>		
13398260	FG-61 EXTRUSION FLOW GUN (G1/4")	1067,70
13398270	FG-61 EXTRUSION FLOW GUN (G3/8")	1067,70

## SPARE PARTS

REF.	CODE	DESCRIPTION	€
1	03546200	NOZZLE TIP HOLDER	32,60
2	03807200	NOZZLE GLAND SET	117,50
4	03574200	NEEDLE SEAT	15,40
5-1	93809200	NEEDLE BAR SET	179,30
5-2	03504180	SPRING HOLDER	14,90
5-3	03844170	CONICAL SPRING WASHER (8 pcs./1 pk.)	6,50
5-4	03067951	PACKING HOLDER	8,20
5-5, 5-6	03846170	NEEDLE PACKING SET	20,90
5-7	03505180	NEEDLE PACKING SEAT	16,50
5-8	03500190	NEEDLE SPRING HOLDER	46,80
5-9	06994603	SCREW	2,20
6	03501190	NEEDLE SPRING	17,70
7	03502190	NEEDLE SPRING SEAT	16,80
8	03505200	TRIGGER STUD	4,00
9	06994103	HEXAGON CAP NUT (2 pcs./1 pk.)	1,50
10	03811200	TRIGGER SET	70,20

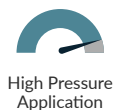


REF.	CODE	DESCRIPTION	€
11-1	03810200	UNIVERSAL JOINT NPS 3/8"	142,10
11-2	03813200	UNIVERSAL JOINT G 1/4"	101,30
11-3	03814200	UNIVERSAL JOINT G 3/8"	115,90
13	03638200	COLLAR (option)	12,60

# AIRLESS TIPS



## REVERSIBLE & FLAT AIRLESS TIPS



### HOW TO GET YOUR CODE

VTR200209 Example: VTR200 2 09

Tip Series \_\_\_\_\_  
 Pattern width \_\_\_\_\_  
 Orifice ø inch \_\_\_\_\_

### REVERSIBLE AIRLESS TIPS

Code: VTR200XXX



### FLAT AIRLESS TIPS

Code: VTR205XXX



### ORDER INFORMATION

ORIFICE	STAIN OR LAQUER		OIL	LATEX PAINT		HEAVY LATEX		ELASTOMETRIC / BLOCK FILLER																	
ø inch	,009"	,011"	,013"	,015"	,017"	,019"	,021"	,023"	,025"	,027"	,029"	,031"	,033"	,035"	,039"	,043"	,045"	,047"	,049"	,051"	,053"	,055"	,063"	,065"	
ø mm	0,23	0,28	0,33	0,38	0,43	0,46	0,53	0,58	0,64	0,69	0,74	0,79	0,84	0,89	0,99	1,1	1,14	1,19	1,24	1,31	1,35	1,4	1,6	1,65	
PATTERN WIDTH																									
4" - 6" 100-150	209	211	213	215	217	219	221	223	225																
6" - 8" 150-200	309	311	313	315	317	319	321	323	325	327	329	331	333	335	339	343									
8" - 10" 200-250	409	411	413	415	417	419	421	423	425	427	429	431	433	435	439	443	445	447	449	451	453	455	463	465	
10" - 12" 250-300	509	511	513	515	517	519	521	523	525	527	529	531	533	535	539	543	545	547	549	551	553	555	563	565	
12" - 14" 300-350	609	611	613	615	617	619	621	623	625	627	629	631	633	635	639	643	645	647	649	651	653	655	663	665	
14" - 16" 350-400			713	715	717	719	721	723	725	727	729	731	733	735	739	743	745	747	749	751	753	755	763	765	
16" - 18" 400-450			813	815	817	819	821	823	825	827	829	831	833	835	839	843									
18" - 20" 450-500			913	915	917	919	921	923	925	927	929	931	933	935	939	943									
FLOW RATE																									
l/min	0,34	0,45	0,68	0,91	1,17	1,44	1,78	2,15	2,54	2,91	3,40	3,90	4,43	4,96	6,17	7,30	8,21	8,93	9,73	10,56	11,36	12,30	16,12	16,77	

## PRE-ATOMIZED REVERSIBLE & FLAT AIRLESS TIPS

### ORDER INFORMATION

ORIFICE	PATTERN WIDTH			
ø inch	,008"	,010"	,012"	,014"
ø mm	0,20	0,25	0,30	0,36
4" - 6" - 100-150	208	210	212	214
6" - 8" - 150-200	308	310	312	314
8" - 10" - 200-250	408	410	412	414
10" - 12" - 250-300		510	512	514
12" - 14" - 300-350		610	612	614
FLOW RATE				
l/min	0,26	0,42	0,57	0,79

### REVERSIBLE AIRLESS TIPS

Code: VTR201XXX

€



### FLAT AIRLESS TIPS

Code: VTR206XXX



### SAFETY GUARD for Reversible Tips



### GASKET



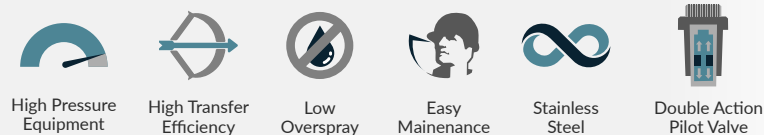
### ACCESSORIES

CODE	DESCRIPTION	€
VTR200998	SAFETY GUARD 11/16"	49,50
VTR200999	SAFETY GUARD 7/8"	50,90
VTR101251	GASKET	1,70



# ICON-A433N & A333N AIRLESS PUMPS

## FEATURES



**iCon**<sup>®</sup>  
AIRLESS  
PUMP UNIT



From general wood to metal painting, ICON<sup>®</sup> Airless Pumps for high pressure applications are ideally suited to the requirements of the industrial sector. Available also on Wall Mount with Suction Hose Set or Hopper Set.

## TECHNICAL DATA

		ICON-A433N	ICON-A333N
Plunger Pump		PP-3688N	PP-3260N
Pressure Ratio		36:1	32:1
Paint Filter	Delivery Paint Filter	TF-8N (100 Mesh)	
	Fluid Suction Filter	15 mesh	50 mesh
Max. Fluid Working Pressure		252 bar (25.2 MPa)	224 bar (22.4 MPa)
Max. Air Inlet Pressure		7.0 bar (0.7 MPa)	
Compressor Required Power		> 1.5 Kw	
Fluid Output	Max. Fluid Delivery	88 ml/cyc	60 ml/cyc
	Max. Volume/Min.	5.2 l/min	3.6 l/min
No. Of Cycles Per Minute		60 cyc	

# ICON-A433N and A333N UNITS KIT

## THE KIT INCLUDES

Airless Pump



Airless Spray Gun  
ALG-7 TE WB



Conductive high pressure  
Hose NH-35075  
code: 14156910



AVAILABLE also with:

**SUCTION HOSE**



**HOPPER SET**  
6 lt.



# ICON-A433N and -A333N



## ICON-A433N & ICON-A333N AIRLESS PUMP Units

### ORDER INFORMATION

CODE	MODEL	CONFIGURATION	€
<b>ICON-A433N &amp; ICON-A333N AIRLESS UNIT</b>			
14050180	ICON-A433N	AIRLESS UNIT (36:1) supplied with SUCTION HOSE SET	4 082,40
14000730	ICON-A433N-S3	AIRLESS UNIT (36:1) supplied with HOPPER SET (6 lt.)	4313,20
14050190	ICON-A333N	AIRLESS UNIT (32:1) supplied with SUCTION HOSE SET	3 602,00
14000740	ICON-A333N-S3	AIRLESS UNIT (32:1) supplied with HOPPER SET (6 lt.)	3823,6



## ICON-A433N & ICON-A333N AIRLESS Kits

### ORDER INFORMATION

CODE	MODEL	TYPE OPTION	GUN MODEL	FILTER SIZE	HOSE	€
<b>ICON-A433N AIRLESS KIT</b>			<b>ALG-7 TE WB AIRLESS GUN</b>			
14000160	ICON-A433N-S1	SUCTION HOSE	ALG-7 TE WB	100 MESH	NH-35075 (7.5 m)	4 802,80
14000660	ICON-A433N-S2	HOPPER SET				4671,0
<b>ICON-A333N AIRLESS KIT</b>			<b>ALG-7 TE WB AIRLESS GUN</b>			
14000170	ICON-A433N-S1	SUCTION HOSE	ALG-7 TE WB	100 MESH	NH-35075 (7.5 m)	4 322,60
14000650	ICON-A433N-S2	HOPPER SET				4179,20

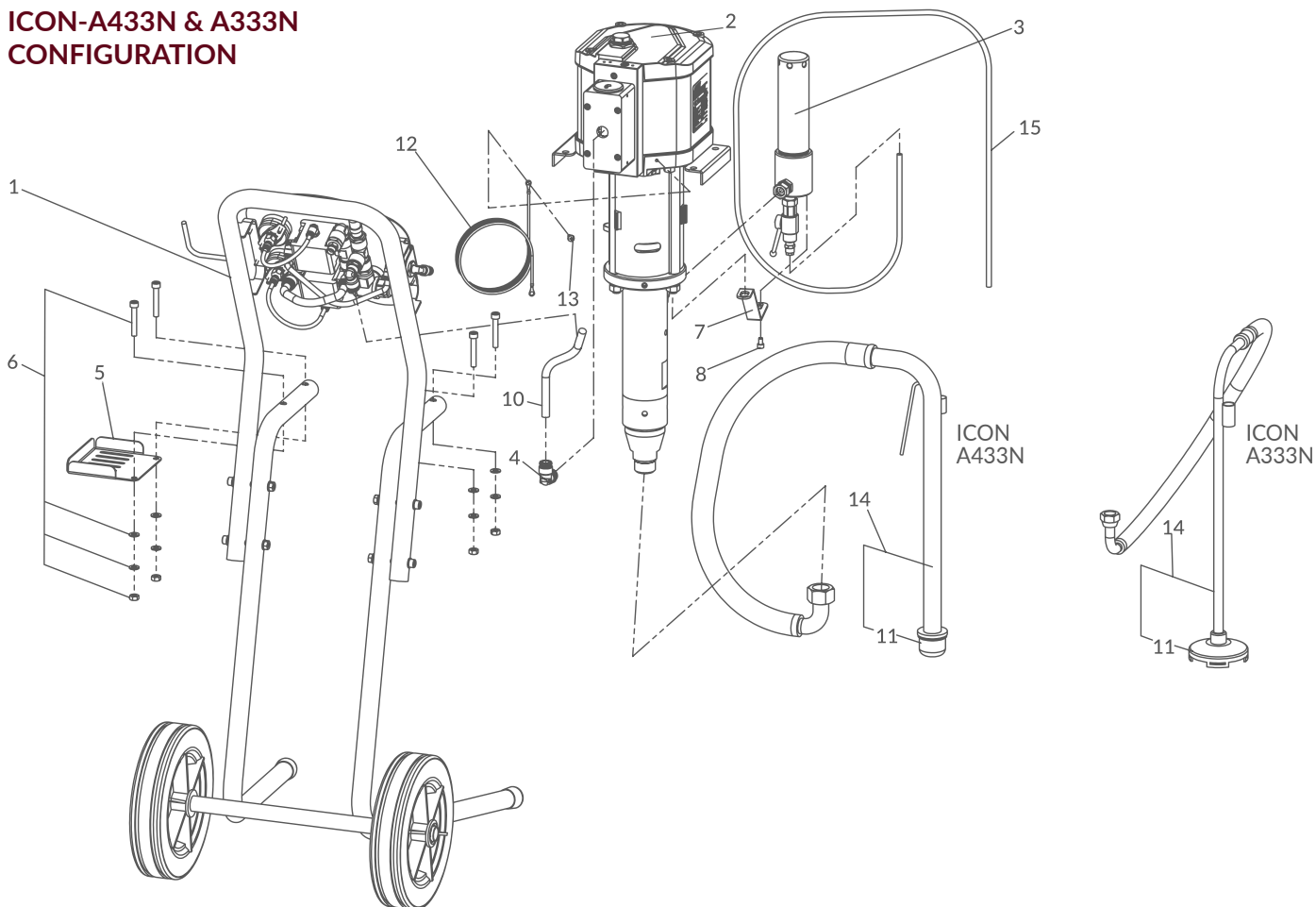
## CONVERSION KIT WALL MOUNTING BRACKET

CODE	CONFIGURATION	€
<b>ASSEMBLY CONVERSION KITS</b>		
04005460	WALL MOUNT CONVERSION KIT	600,40
04005870	HOPPER SET G1/2" (6 lt.) for ICON-A433N	434,40
04005510	HOPPER SET G1/2" (6 lt.) for ICON-A333N	410,50



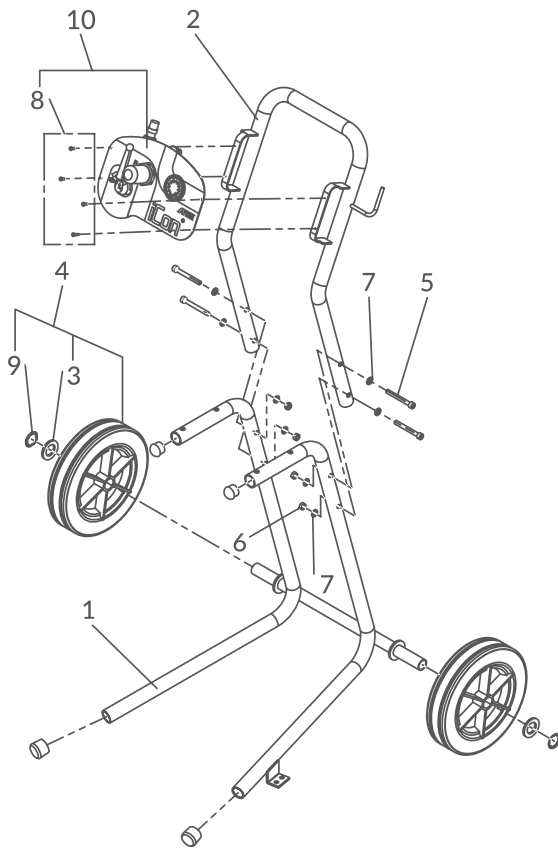
# ICON-A433N & A333N AIRLESS PUMPS

## ICON-A433N & A333N CONFIGURATION

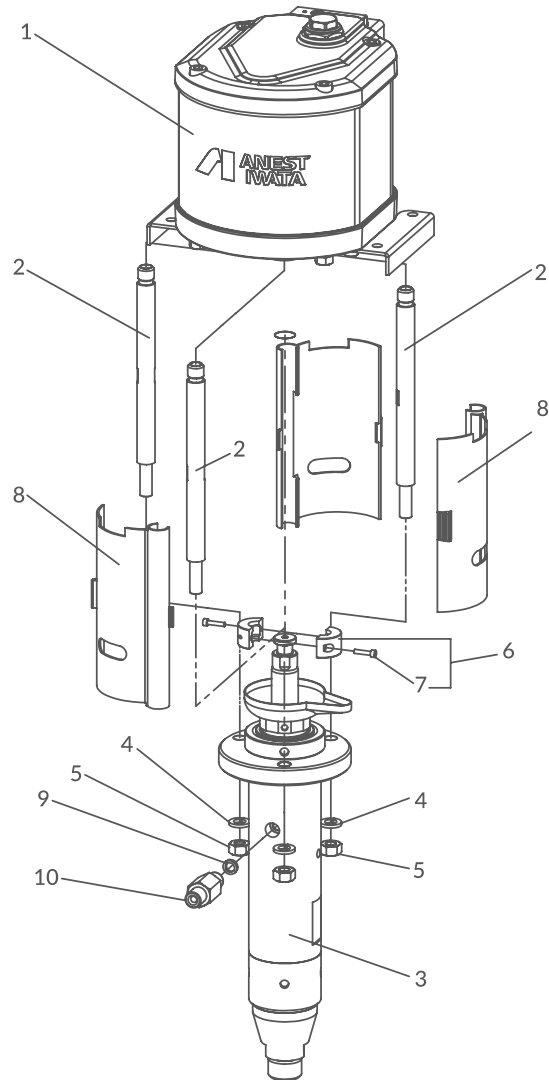


REF.	CODE	DESCRIPTION	ICON-A433N	ICON-A333N	€
1	04445810	CART FRAME SET	X	X	on request
2	14050130	PLUNGER PUMP SET - PP-3688N	X	--	3 242,00
2	14050140	PLUNGER PUMP SET - PP-3260N	--	X	2 701,60
3	1457000000	DELIVERY PAINT FILTER SET - TF-8N	X	X	644,80
4	04444920	ELBOW MALE ADAPTOR - 1/2"x ø12	X	X	8,30
5	04444740	TIP STAY	X	X	16,70
6	94447890	BOLT and NUT SET for PUMP - HEX. SOCKET BOLT (4 pcs.) + NUT (4 pcs.) + SPRING WASHER (4 pcs.) + WASHER (4 pcs.)	X	X	2,90
7	04001270	FILTER STAY	X	X	7,40
8	06350612	BOLT WITH HEX. HOLE - M6x10	X	X	0,70
10	04444690	AIR HOSE	X	--	5,50
11	04444760	SUCTION FILTER SET - M28x1.5 15 mesh	--	X	30,30
11	UL10000701	SUCTION FILTER SET - M15x50 mesh	X	X	38,90
12	ME100001	GROUND WIRE SET	X	X	5,90
13	06155024	SCREW - M5x10	X	--	0,50
14	94444750	SUCTION HOSE SET	--	X	218,60
14	0101010000	SUCTION HOSE SET	X	X	197,50
15	00100030	DRAIN HOSE - 8x6	--	X	2,60
16	94445770	PACKING PROTECTION LIQUID	X	X	34,60
17	04445760	HOOK SPANNER	X	X	41,60

## CART FRAME SET



## PLUNGER PUMP SET



REF.	CODE	DESCRIPTION	€
1	94445680	CART FRAME	207,00
2	04444730	HANDLE FRAME	116,80
3	04445720	WHEEL WASHER	7,40
4	94444960	WHEEL SET WHEELS (2 pcs.) + WASHERS (2 pcs.) + SELF LOCKING RINGS (2 pcs.)	107,90
5	04447890	BOLT WITH HEX. HOLE	M8 1,20
6	06361081	HEX. NUT	M8 1,20
7	06363080	WASHER	M8 1,20
8	94444790	SOCKET BUTTON HEAD SCREW (4 pcs.)	0,60
9	04447900	SELF LOCKING RING	0,70
10	94445790	AIR REGULATOR SET AIR REGULATOR SET (1 pc.) + SOCKET BUTTON HEAD SCREW (4 pcs.)	546,70

REF.	CODE	DESCRIPTION	€
1	04946700	AIR MOTOR SET for ICON-A433N	on request
1	04946750	AIR MOTOR SET for ICON-A333N	on request
2	04938220	CONNECTING ROD	15,90
3	04946730	FLUID PUMP SET for ICON-M433N	on request
3	04946760	FLUID PUMP SET for ICON-M333N	on request
4	06362120	SPRING WASHER - M12	1,30
5	06361121	HEX. NUT - M12	1,30
6	94938230	COUPLING SET - ICON-M433N COUPLINGS (2 pcs.) + BOLT WITH HEXAGON HOLE (2 pcs.)	46,80
6	94943870	COUPLING SET - ICON-M333N COUPLINGS (2 pcs.) + BOLT WITH HEXAGON HOLE (2 pcs.)	26,20
7	94939540	BOLT WITH HEX. HOLE (2 pcs.) - M4x20	0,70
8	04938240	ROD COVER	7,50
9	04938260	FLUID OUTPUT PACKING	0,90
10	04938250	FLUID OUTPUT JOINT	29,50



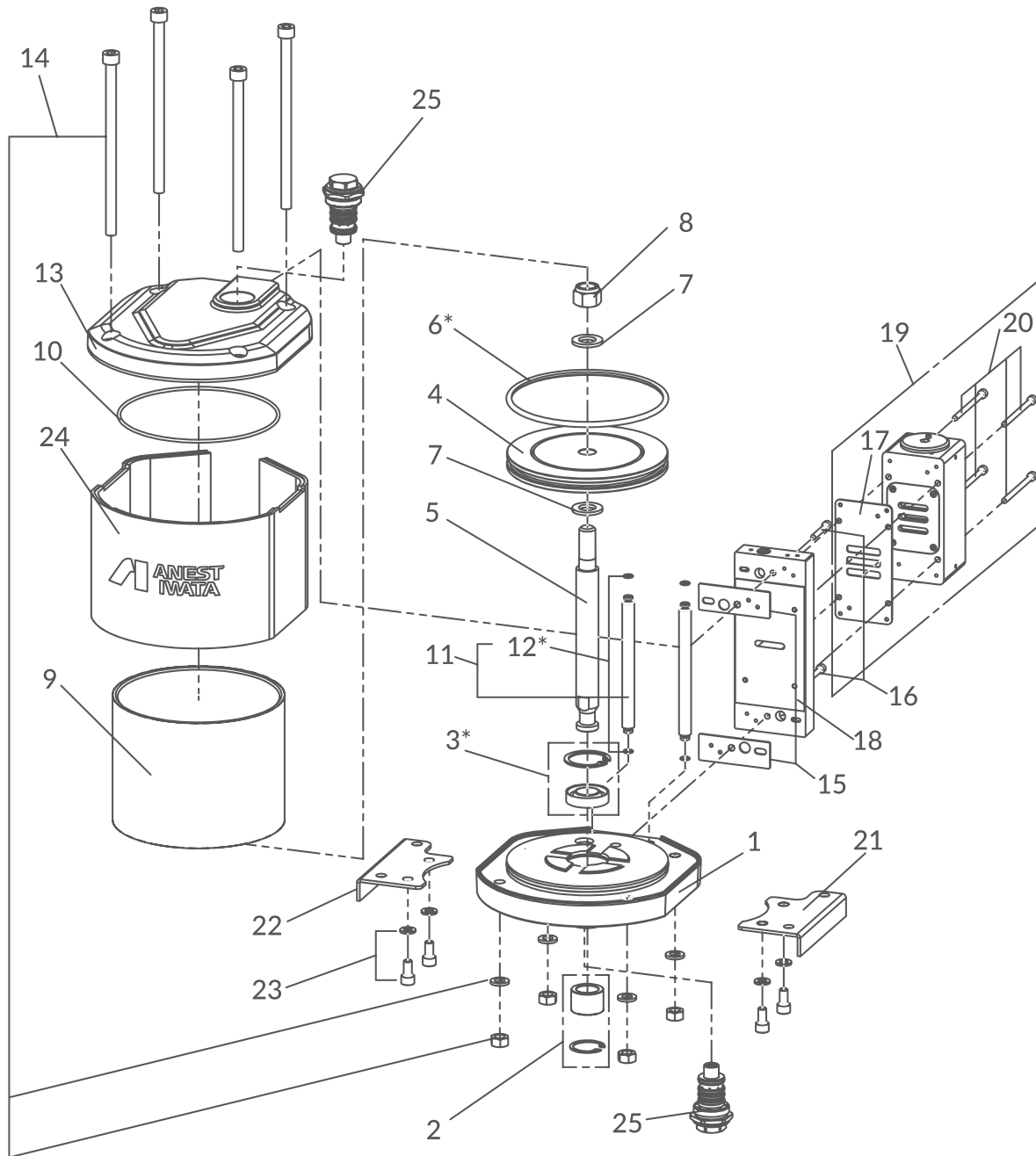
# ICON-A433N & A333N AIRLESS PUMPS

## AIR MOTOR SET

REF.	CODE	DESCRIPTION	ICON-A433N	ICON-A333N	€	
1	94938600	BOTTOM MODULE	x	--	197,40	
1	94944860	BOTTOM MODULE	--	x	162,90	
2	94938620	METAL SET	METAL $\varnothing$ 22 x $\varnothing$ 32 x L22 + SEEGER	x	--	23,90
2	94944870	METAL SET	METAL $\varnothing$ 18 x $\varnothing$ 25 x L25 + SEEGER	--	x	12,60
3*	94943830	"U" PACKING SET	"U" PACKING + SEEGER	x	--	4,00
3*	94946600	"U" PACKING SET	"U" PACKING + SEEGER	--	x	4,00
4	94939290	AIR PISTON		x	--	104,50
4	94944900	AIR PISTON		--	x	65,90
5	94939300	PISTON ROD		x	--	53,60
5	94944910	PISTON ROD		--	x	47,60
6*	04943730	'O' RING	$\varnothing$ 5.34 x $\varnothing$ 145.42	x	--	4,50
6*	04944980	'O' RING	$\varnothing$ 5.34 x $\varnothing$ 113.7	--	x	4,50
7	96471162	WASHER	M16 (2 pcs.)	x	--	1,50
7	96471142	WASHER	M14 (2 pcs.)	--	x	1,20
8	04939460	SELF LOCKING HEX. NUT	M16	x	--	1,00
8	04944960	SELF LOCKING HEX. NUT	M14	--	x	0,70
9	94939270	CYLINDER		x	--	98,20
9	94944880	CYLINDER		--	x	50,40
10	94943740	'O' RING SET	$\varnothing$ 3 x $\varnothing$ 154 (2 pcs.)	x	--	6,70
10	94944990	'O' RING SET	$\varnothing$ 3 x $\varnothing$ 119.5 (2 pcs.)	--	x	4,80
11	94939320	PILOT AIR HOSE SET	PILOT AIR HOSE (2 pcs.) + 'O' RING (4 pcs.)	x	x	15,40
12*	96637607	'O' RING SET	'O' RING $\varnothing$ 1.5 x $\varnothing$ 6.5 (4 pcs.)	x	x	2,80
13	94939310	HEAD MODULE		x	--	153,80
13	94944920	HEAD MODULE		--	x	150,40
14	94939480	BOLT NUT SET BOLT M10 x L180 (4 pcs.) + NUT M10 (4 pcs.) + SPRING WASHER M10 (4 pcs.)		x	--	40,70
14	94944970	BOLT NUT SET BOLT M8 x L180 (4 pcs.) + NUT M10 (4 pcs.) + SPRING WASHER M10 (4 pcs.)		--	x	37,10
15	94939350	MODULE PACKING SET	(2 pcs.)	x	x	3,70
16	94939520	BOLT WITH HEX. HOLE SET	M5xL35 (2 pcs.)	x	x	0,60
17	04939340	SUB PLATE PACKING		x	x	3,00
18	94939330	SUB PLATE		x	x	110,90
19	94946720	AIR OPERATING VALVE SET	AIR OPERATING VALVE + SUB PLATE PACKING	x	x	247,60
20	94939530	BOLT WITH HEX. HOLE SET	M5x75 (4 pcs.)	x	x	3,90
21	04939450	PUMP STAY "L"		x	--	8,80
21	04944950	PUMP STAY "L"		--	x	8,80
22	04939440	PUMP STAY "R"		x	--	8,80
22	04944940	PUMP STAY "R"		--	x	8,80
23	94939490	BOLT WITH HEX. HOLE + SPRING WASHER BOLT M8x16 (4 pcs.) + SPRING WASHER M8 (4 pcs.)		x	x	1,20
24	94447750	CYLINDER COVER		x	--	101,40
24	94447830	CYLINDER COVER		--	x	77,30
25	94946710	DOUBLE ACTION PILOT VALVE		x	x	182,80
	04001490	AIR MOTOR MAINTENANCE KIT		x	--	47,30
	04002030	AIR MOTOR MAINTENANCE KIT		--	x	46,30

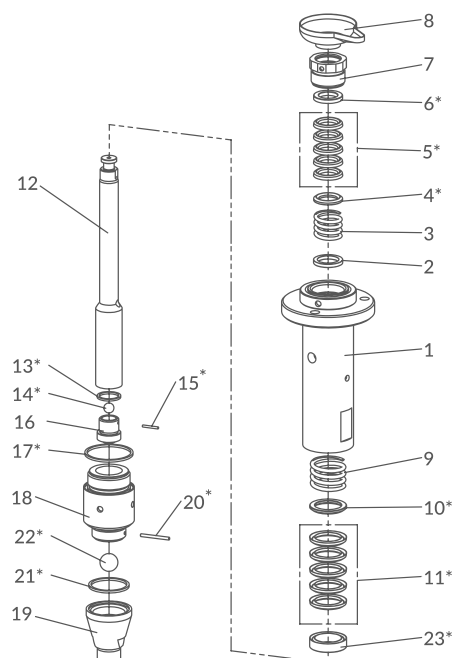
(\*) Spare parts included in MAINTENANCE KIT



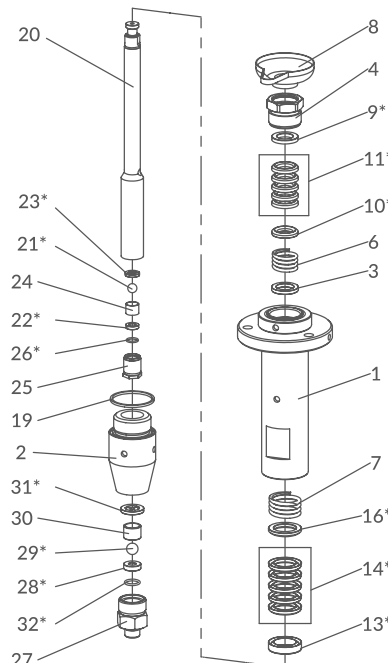


# ICON-A433N & A333N AIRLESS PUMPS

## FLUID PUMP SET FOR ICON-A433N



## FLUID PUMP SET FOR ICON-A333N



REF.	CODE	DESCRIPTION	€
1	04001520	SUCTION TUBE WITH FLANGE	438,10
2	04938380	SPRING HOLDER	13,40
3	04938370	UPPER SPRING	12,90
4*	04938320	UPPER "V" PACKING MALE ADAPTOR	14,70
5*	04001500	UPPER PACKINGS KIT ("V" PACKINGS PE 3 pcs.+ PTFE 2 pcs.)	31,20
6*	04938350	UPPER "V" PACKING FEMALE ADAPTOR	15,70
7	940175A0	PACKING NUT KIT (PACKING NUT+'O' RING)	93,10
7-1	960053A0	'O' RING	4,90
8	04938490	THINNER CUP	3,40
9	04938360	LOWER SPRING	14,70
10*	04938470	LOWER "V" PACKING MALE ADAPTOR	15,30
11*	04001510	LOWER PACKINGS KIT ("V" PACKINGS PE 3 pcs. + PTFE 2 pcs.)	34,10
12	94938400	SUCTION ROD	332,00
13*	04938420	VALVE HOLDER PACKING	2,20
14*	06662045	BALL 9/16"	3,30
15*	04938430	VALVE HOLDER PIN	5,20
16	94938410	VALVE HOLDER	52,90
17*	04000210	SUCTION TUBE PACKING	6,70
18	94938300	SUCTION CONNECTOR	148,60
19	94938310	VALVE ADAPTOR	112,00
20*	04938390	LOWER PIN	4,50
21*	04000140	ADAPTOR PACKING	6,50
22*	06662100	BALL 1"	29,10
23*	04938440	LOWER "V" PACKING FEMALE ADAPTOR	20,10
	04002020	FLUID PUMP MAINTENANCE KIT	143,80

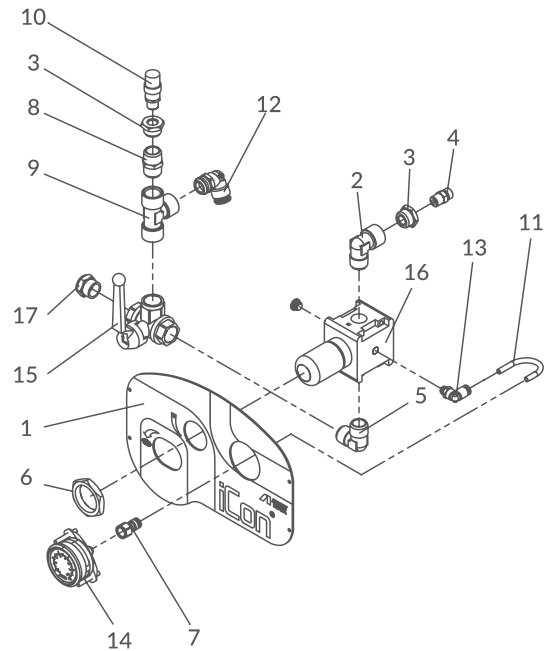
(\*) Spare parts included in MAINTENANCE KIT

REF.	CODE	DESCRIPTION	€
1	04002100	SUCTION TUBE WITH FLANGE	332,30
2	94943910	SUCTION CONNECTOR	141,10
3	04944740	SPRING HOLDER	8,60
4	940176A0	PACKING NUT KIT (PACKING NUT+'O' RING)	92,40
4-1	960053A0	'O' RING	4,90
6	04944730	UPPER SPRING	5,00
7	04944720	LOWER SPRING	7,10
8	04938490	THINNER CUP	3,40
9*	04943990	UPPER "V" PACKING FEMALE ADAPTOR	12,90
10*	04943960	UPPER "V" PACKING MALE ADAPTOR	12,70
11*	04002040	UPPER PACKINGS KIT ("V" PACKINGS PE 3 pcs. + PTFE 2 pcs.)	34,00
13*	04944810	LOWER "V" PACKING FEMALE ADAPTOR	11,70
14*	04002060	LOWER PACKINGS KIT ("V" PACKINGS PE 3 pcs. + PTFE 2 pcs.)	28,00
16*	04944840	LOWER "V" PACKING MALE ADAPTOR	10,50
19	04000240	SUCTION TUBE PACKING	6,50
20	94944750	SUCTION ROD	323,60
21*	06662040	BALL 1/2"	3,30
22*	04944780	VALVE SEAT	12,20
23*	04944770	VALVE HOLDER PACKING	29,00
24	04944790	BALL GUIDE	6,70
25	04944760	VALVE HOLDER	50,40
26*	04944800	'O' RING $\varnothing$ 2 x $\varnothing$ 13	2,80
27	04943920	VALVE ADAPTOR	38,70
28*	04943930	VALVE SEAT	12,80
29*	06662050	BALL 5/8"	13,30
30	04943940	BALL GUIDE	6,70
31*	04943950	ADAPTOR PACKING	7,30
32*	04946590	'O' RING $\varnothing$ 2.5 x $\varnothing$ 17	0,60
	04002120	FLUID PUMP MAINTENANCE KIT	144,50

(\*) Spare parts included in MAINTENANCE KIT

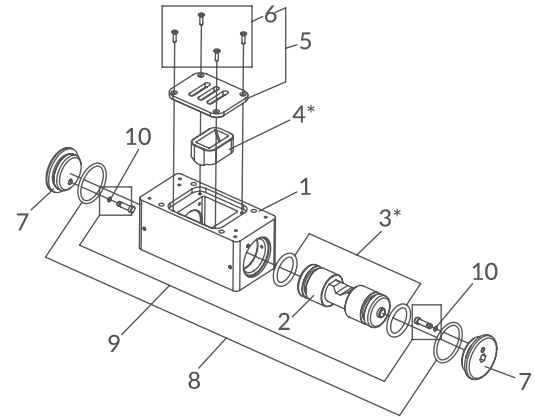
## AIR REGULATOR SET

REF.	CODE	DESCRIPTION		€
1	04445640	PANEL		139,20
2	04444930	ELBOW UNION	1/2" MF	5,90
3	04444860	REDUCER	G1/2"-G1/4"	2,00
4	UL30010501	SPECIAL NIPPLE	R1/4" - G1/4"	4,10
5	04445650	ELBOW JOINT	1/2"	9,80
6	04444830	TOP MOUNTING RING		8,90
7	04444950	FEMALE ADAPTOR	1/4" - ø 6	2,90
8	04444910	NIPPLE	1/2"	2,70
9	04444850	"T" ADAPTOR	1/2" FFF	8,30
10	UL30036000	SAFETY VALVE		32,40
11	04444670	AIR HOSE	ø 6	1,70
12	04444920	ELBOW MALE ADAPTOR	1/2" x ø 12	8,30
13	04444940	ELBOW MALE ADAPTOR	1/8" x ø 6	3,70
14	04444650	PRESSURE GAUGE		32,40
15	04444840	3-WAY VALVE	1/2"	51,30
16	04444800	AIR REGULATOR		95,40
17	04447820	EXHAUST FILTER		6,60



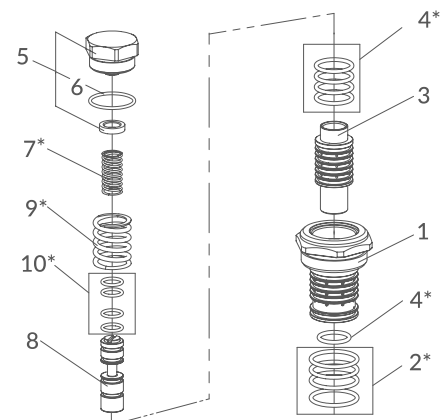
## AIR OPERATING VALVE

REF.	CODE	DESCRIPTION	€
1	94939360	CHANGEOVER MAIN BODY	116,60
2	04939410	SPOOL	21,50
3*	94000440	'O' RING SET ø 4 x ø 28	0,70
4*	04939370	CHANGEOVER BLOCK	19,20
5	94939380	SEAT PLATE SET [ref. 5 (1 pc.) + ref. 6 (4 pcs.)]	88,80
6	94943720	HEX. SOCKET COUNTERSUNK SCREW	1,10
7	04939390	SIDE CAP	31,70
8	94943770	'O' RING ø 3 x ø 38	1,70
9	94939400	DETENT PISTON SET [ref. 9 (2 pcs.) + ref. 10 (2 pcs.)]	5,80
10	04943810	'O' RING ø 1 x ø 3	0,50



## DOUBLE ACTION PILOT VALVE

REF.	CODE	DESCRIPTION	€
1	94938610	VALVE HOUSING	72,70
2*	-	'O' RING - ø 2 x ø 21.5	
3	94939220	VALVE	19,70
4*	-	'O' RING - ø 2 x ø 14	
5	94939230	CAP	48,70
6	-	'O' RING - ø 1.5 x ø 22	
7	04939240	SPOOL SPRING	2,70
8	94939260	SPOOL	54,60
9	04939250	VALVE SPRING	3,00
10*	-	'O' RING - ø 1.5 x ø 9	
	04001390	PILOT VALVE 'O' RING KIT	9,00

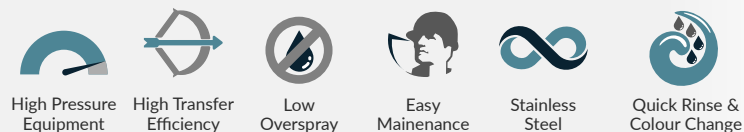


(\*) Spare parts included in 'O' RING KIT



# ICON-A233N AIRLESS PUMP

## FEATURES



Very compact and easily transportable ICON® X3 Airless Pumps for high pressure applications, are ideally suited to the requirements of the industrial sector. Available also on Wall Mount and with Suction Hose Set or Hopper Set.

## TECHNICAL DATA

		ICON-A233N
Plunger Pump		PP-3025N
Pressure Ratio		30:1
Paint Filter	Delivery Paint Filter	TF-1S (100 Mesh)
	Fluid Suction Filter	50 mesh
Max. Fluid Working Pressure		210 bar (21 MPa)
Max. Air Inlet Pressure		7.0 bar (0.7 MPa)
Air Consumption		110 NI/min. at 30 cyc/min.
Fluid Output	Max. Fluid Delivery	25 ml/cyc
	Max. Volume/Min.	2.5 l/min
No. of Cycles per Minute		100 cyc



# ICON-A233N AIRLESS KITS

## THE KIT INCLUDES



**iCon X3**  
Airless Pump



Airless Spray Gun  
ALG-7 TE WB



Conductive high pressure  
Hose NH-35075  
code: 14156910

# ICON-A233N



## ICON-A233N Assembled on Cart Frame

### ORDER INFORMATION

CODE	MODEL	ASSEMBLED WITH	MULTI SPRAY GUN	GUN FILTER	TWIN HOSE 7.5m	€
------	-------	----------------	-----------------	------------	----------------	---

#### ICON-A233N AIRLESS PUMP and KIT assembled on CART FRAME

140027A0	ICON-A233N-S	SUCTION HOSE (w/50 mesh filter)	-	-	-	3092,60
140026A0	ICON-A233N-S1		ALG -7 TE WB	100 Mesh	NH-25075 14156860	3905,00
140029A0	ICON-A233N-H	HOPPER SET (6lt.) (w/50 mesh filter)	-	-	-	3141,60
140028A0	ICON-A233N-H1		ALG -7 TE WB	100 Mesh	NH-25075 14156860	4115,0

## ICON-A233N Assembled on Wall Mount

### ORDER INFORMATION

CODE	MODEL	ASSEMBLED WITH	MULTI SPRAY GUN	GUN FILTER	TWIN HOSE 7.5m	€
------	-------	----------------	-----------------	------------	----------------	---

#### ICON-A233N AIRLESS PUMP and KIT assembled on WALL MOUNT

140031A0	ICON-A233N-SWM	SUCTION HOSE (w/50 mesh filter)	-	-	-	2885,00
140030A0	ICON-A233N-SWM1		ALG -7 TE WB	100 Mesh	NH-25075 14156860	3724,50
140033A0	ICON-A233N-HWM	HOPPER SET (6lt.) (w/50 mesh filter)	-	-	-	2932,0
140032A0	ICON-A233N- HWM1		ALG -7 TE WB	100 Mesh	NH-25075 14156860	3777,0

The unit is supplied on **CART** which, based on the design, it also includes the **WALL BRACKET**

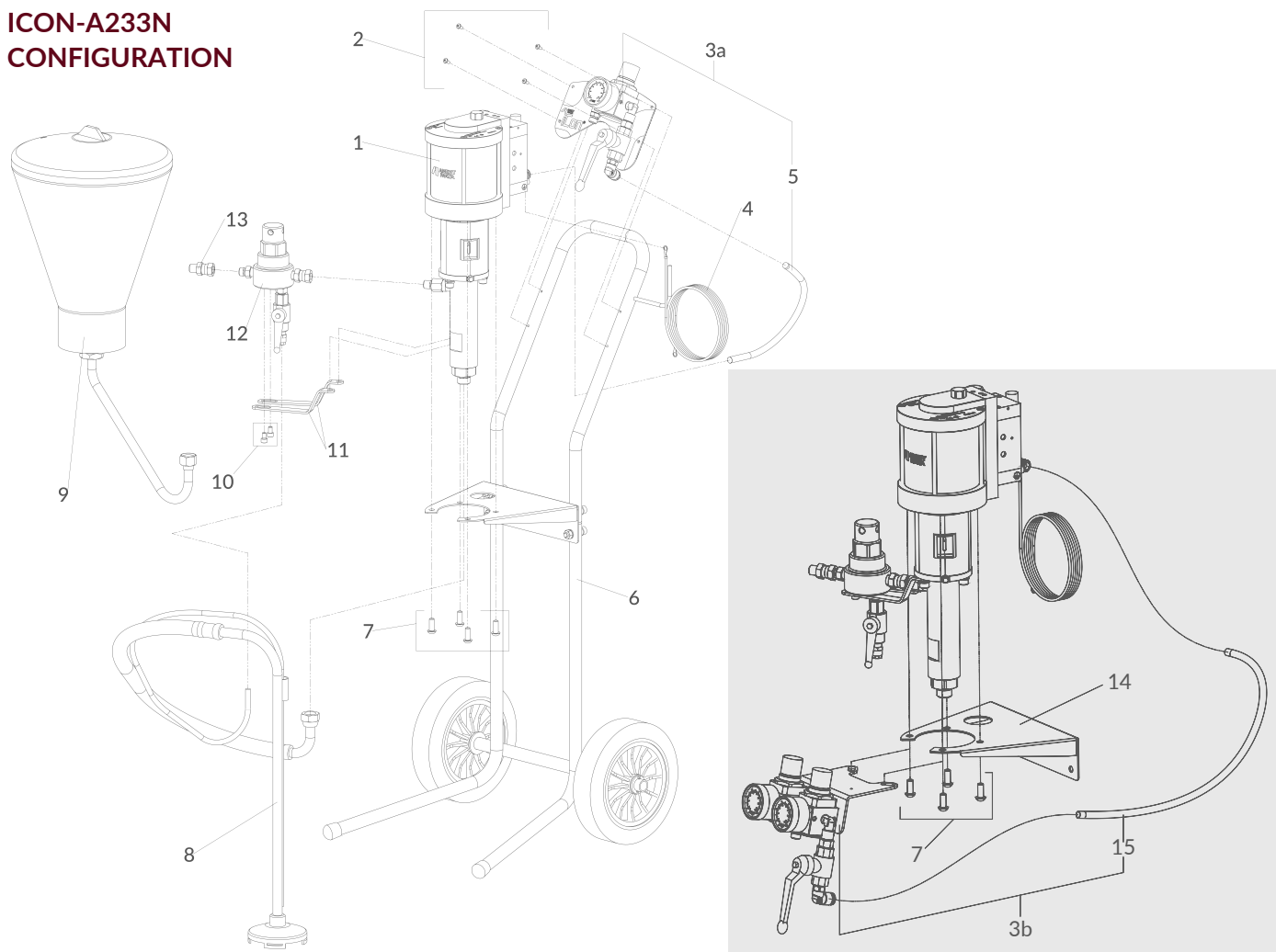


Version with wall mount **BRACKET**



# ICON-A233N AIRLESS PUMPS

## ICON-A233N CONFIGURATION



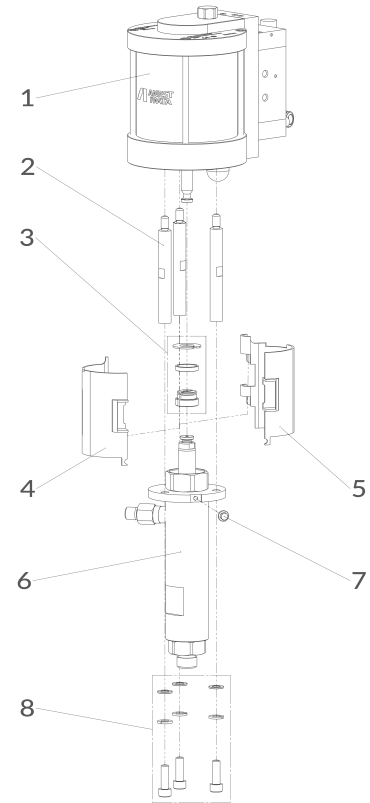
REF.	CODE	DESCRIPTION	€
1	-	PLUNGER PUMP (PP-3025N)	
2	94444790	SOCKET BUTTON HEAD SCREW (4 pcs)	0,60
3a	940190A0	AIR REGULATOR SET for CART FRAME version	0,70
3b	940191A0	AIR REGULATOR SET for WALL MOUNT version	253,60
4	ME100001	GROUND WIRE SET	5,90
5	940157A0	AIR HOSE 0,3 m	1,40
6	940085A0	CART FRAME	338,80
7	960055A0	HEX. SOCKET BUTTON HEAD SCREW M8x20 SET (4 pcs)	6,60
8	0101010000	SUCTION HOSE SET	197,50
9	04005510	HOPPER SET 6 lt.	410,50
10	960056A0	HEX. SOCKET BOLT M6x10 SET (2 pcs)	1,40
11	940052A0	FILTER STAY	18,20
12	140002A0	DELIVERY PAINT FILTER SET TF-1S	317,50
13	94006030	ADAPTER G1/4"F - NPSM 1/4"M	36,30
14	940192A0	WALL MOUNT SUPPORT	45,50
15	940060A0	AIR HOSE 0,5 m	2,30

# SPARE PARTS



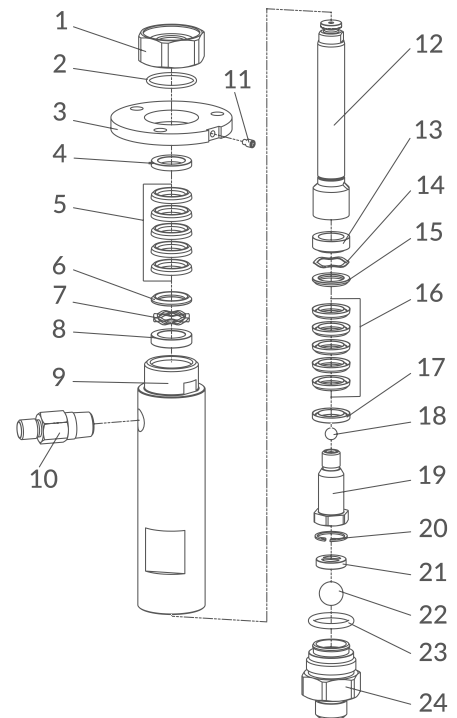
## PLUNGER PUMP SET

REF.	CODE	DESCRIPTION	€
1	940000A0	AIR MOTOR	1113,20
2	940036A0	CONNECTING ROD	38,10
3	940193A0	COUPLING KIT	70,00
4	940093A0	ROD COVER LEFT	38,30
5	940094A0	ROD COVER RIGHT	38,30
6	940014A0	FLUID PUMP SET	1294,60
7	960047A0	HEX. SOCKET FLANGE BOLT M5x12	3,00
8	940170A0	SCREWS & WASHERS SET (3+3+3 pcs.)	45,60



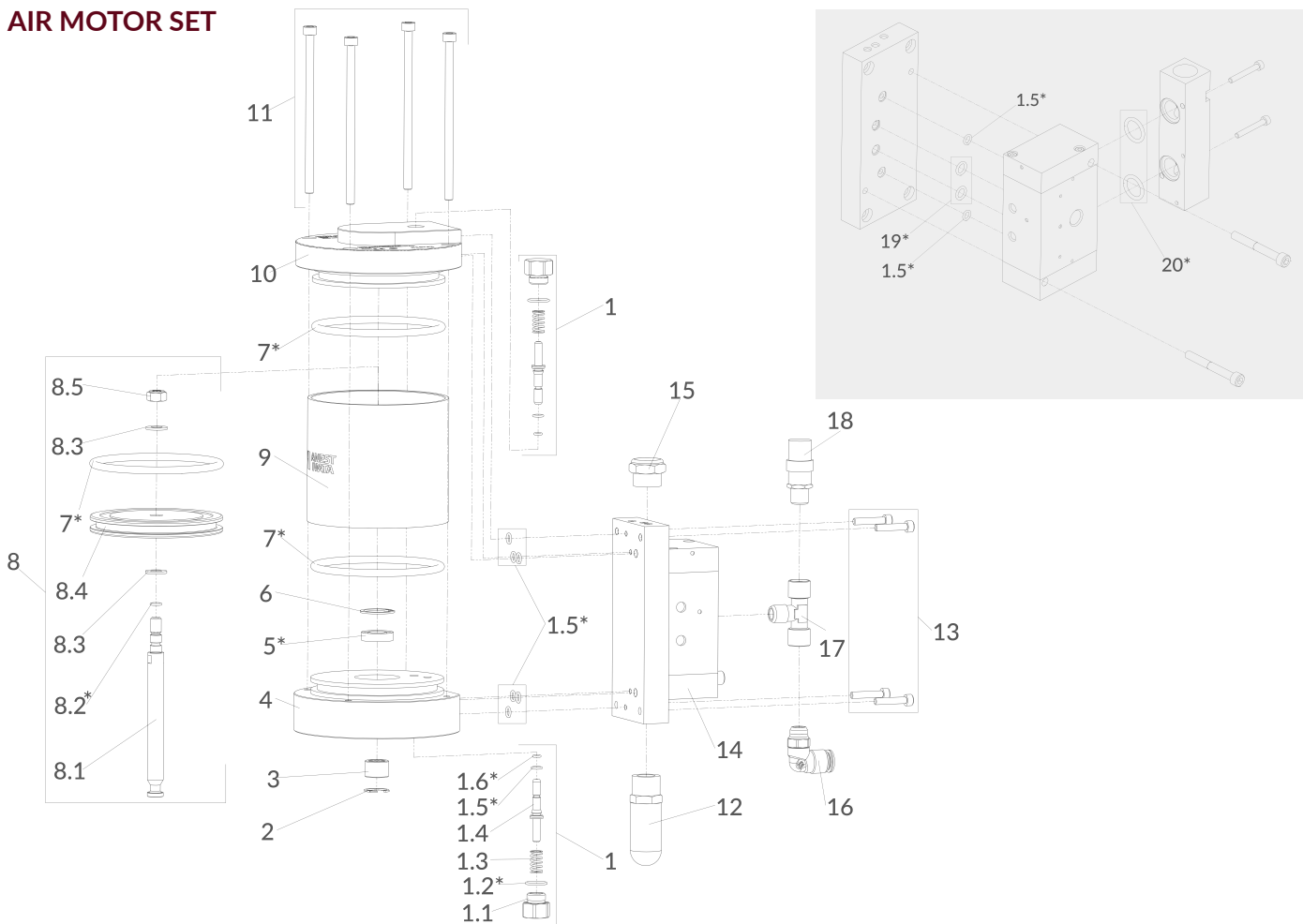
## FLUID PUMP SET

REF.	CODE	DESCRIPTION	€
1	940031A0	PACKING HOLDER	24,60
2	960011A0	O-RING 2.0-29.5	1,40
3	940112A0	FLANGE	63,20
4	940126A0	V-PACKING FEMALE ADAPTOR (UPPER)	8,00
5	940069A0	V-PACKING SET (UPPER) (3 PE + 2 PTFE)	85,00
6	940123A0	V-PACKING MALE ADAPTOR (UPPER)	7,40
7	940122A0	MULTI WAVE SPRING	22,70
8	940121A0	SPRING HOLDER (UPPER)	6,75
9	940015A0	SUCTION TUBE	494,80
10	940032A0	FLUID OUTPUT JOINT	13,80
11	960040A0	PLUG	1,20
12	940166A0	SUCTION ROD	192,50
13	940127A0	SPRING HOLDER (LOWER)	6,90
14	940128A0	NESTED SPRING	34,90
15	940129A0	V-PACKING MALE ADAPTOR (LOWER)	7,90
16	940070A0	V-PACKING SET (LOWER) (3 PE + 2 PTFE)	85,00
17	940132A0	V-PACKING FEMALE ADAPTOR (LOWER)	8,20
18	06662025	BALL 5/16"	4,40
19	940021A0	VALVE HOLDER	69,00
20	960014A0	SEEGER 20	0,60
21	04944770	VALVE HOLDER PACKING	29,00
22	06662050	BALL 5/8"	13,30
23	960015A0	O-RING 3.53-23.39	6,20
24	940033A0	VALVE ADAPTOR	100,60



# ICON-A233N AIRLESS PUMP

## AIR MOTOR SET



REF.	CODE	DESCRIPTION	€	REF.	CODE	DESCRIPTION	€
1	940073A0	PILOT VALVE SET	83,80	8.4	940004A0	AIR PISTON	66,80
1.1	940007A0	PILOT VALVE CAP	26,50	8.5	960003A0	SELF LOCKING HEX. NUT	0,60
1.2*	96997009	O-RING $\varnothing$ 1.5-13.5	1,20	9	940008A0	CYLINDER	61,80
1.3	940006A0	PILOT VALVE SPRING	11,40	10	940010A0	HEAD MODULE	134,60
1.4	940005A0	PILOT VALVE SHAFT	19,80	11	960006A0	HEX. SOCKET BOLT M6x120	15,50
1.5*	96997003	O-RING $\varnothing$ 1.5-5.5	4,40	12	960010A0	MUFFLER	21,80
1.6*	96997012	O-RING $\varnothing$ 1.5-3.5	12,70	13	96350525	HEX. SOCKET BOLT M5x25	0,60
2	960000A0	SEEGER 18	1,20	14	940174A0	AIR OPERATING VALVE	469,80
3	940002A0	METAL	4,80	15	04447820	EXHAUST FILTER	6,60
4	940001A0	BOTTOM MODULE	175,50	16	UL300309	ELBOW UNION	7,60
5*	960001A0	U-PACKING	3,50	17	UL30030000	T-JOINT	6,70
6	960002A0	SEEGER 24	1,80	18	UL30036000	SAFETY VALVE	32,40
7*	960004A0	O-RING $\varnothing$ 5.33-89.69	4,70	19*	060031A0	O-RING $\varnothing$ 1.78-7.65	8,40
8	940065A0	PISTON ROD SET	163,70	20*	060008A0	O-RING $\varnothing$ 2.62-15.54	0,50
8.1	940159A0	PISTON ROD	42,30		940072A0	O-RING SET FOR AIR MOTOR & AIR OPERATING VALVE	97,60
8.2*	960052A0	O-RING $\varnothing$ 1.5-6	2,90				
8.3	06363080	WASHER	1,20				

(\*) Spare parts included in 'O' Ring Set

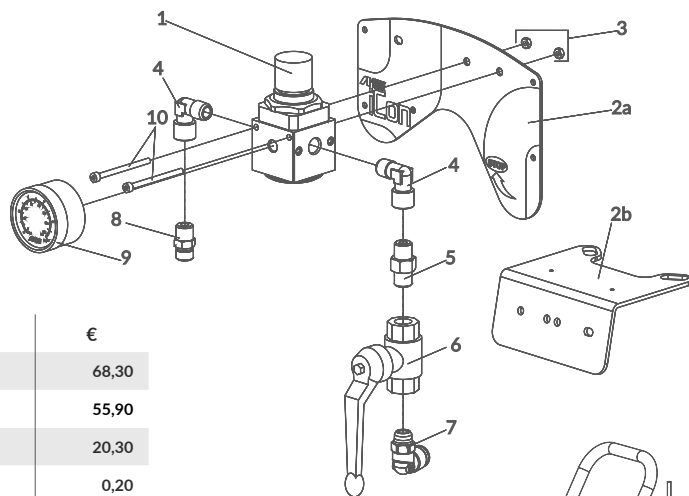


# SPARE PARTS



For CART FRAME Version

For WALL MOUNT Version

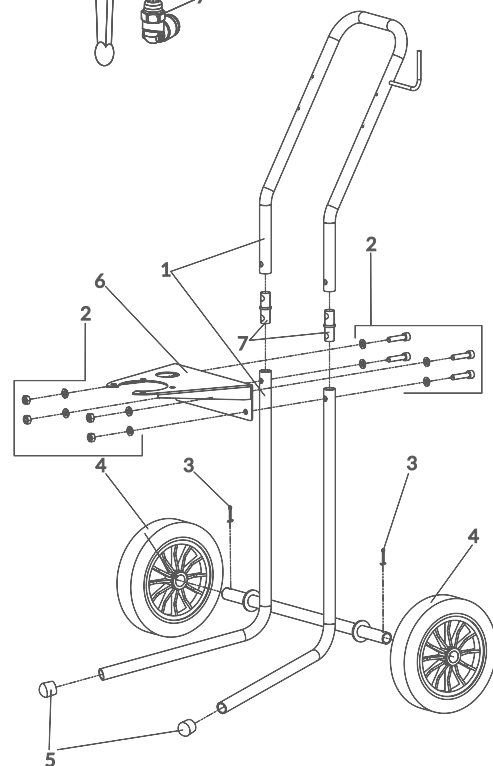


## AIR REGULATOR SET

REF.	CODE	DESCRIPTION	€
1	UI00070001	AIR REGULATOR	68,30
2a	940156A0	PANEL (for Cart Frame version)	55,90
2b	UL00005201	PLATE FOR AIR REGULATOR (for Wall Mount version)	20,30
3	UL300700	HEX. NUT M4	0,20
4	UL300201	L-JOINT	20,40
5	UL300101	NIPPLE	4,50
6	UL30034901	BALL VALVE WITH EXHAUST HOLE	64,60
7	UL300309	"L" QUICK COUPLING	7,60
8	UL30010501	SPECIAL NIPPLE R1/4" - G1/4"	4,10
9	02004003	PRESSURE GAUGE (bar - psi)	29,30
10	06350455	BOLT WITH HEX. HOLE M4x55	3,50

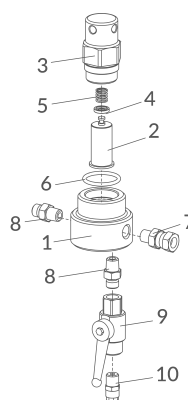
## CART FRAME SET

REF.	CODE	DESCRIPTION	€
1	940113A0	CART FRAME STRUCTURE	307,90
2	940169A0	SCREWS, NUTS & WASHER SET (4+4+8 pcs.)	24,70
3	UL300811	SPLIT PIN	0,30
4	UL200001	WHEEL	12,70
5	960019A0	RUBBER CAP	2,80
6	940192A0	WALL MOUNT SUPPORT	45,50
7	940089A0	CONNECTION ELEMENT	9,30



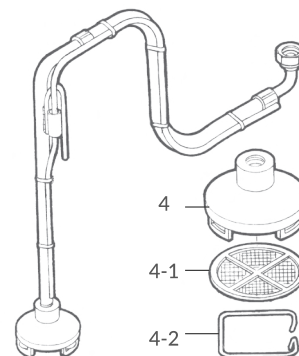
## TF-1S DELIVERY PAINT FILTER SET

REF.	CODE	DESCRIPTION	€
1	940053A0	FILTER BODY	62,90
2	VFM2704	FILTER 100 MESH	12,50
3	940054A0	CYLINDER	36,30
4	940055A0	WASHER	6,10
5	940056A0	FILTER SPRING	13,00
6	960021A0	O-RING 3.53-32.92	7,00
7	96859022	SWIVEL JOINT R1/4"M - G1/4"F	47,00
8	UL300462	JOINT G1/4" - R1/4"	55,70
9	UL30090100	DRAIN VALVE	158,00
10	UL300302	HOSE JOINT	2,70



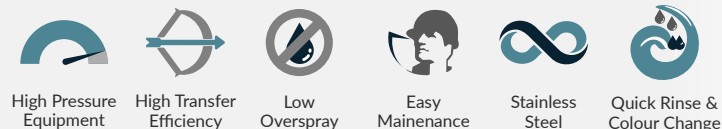
## SUCTION HOSE SET

REF.	CODE	DESCRIPTION	€
4	UL10000701	COMPLETE COVER SET	38,90
4-1	0040720100	FILTER 50 MESH	7,10
4-2	00407203	FILTER STOPPER	3,50



# ALS-333 C - ALS-423 TX ALS-433 C - ALS-433 TX

## FEATURES



ALS series Airless Pumps for high pressure applications, is suitable for low-medium and high paints viscosity and Tixotropics paints. Supplied with UHMWPE packings to ensure long life and with stainless steel fluid passages for solvent- or water- based paints. They are available in different pressure ratios and fluid output volumes.

## TECHNICAL DATA

	ALS 333 C	ALS 423 TX	ALS 433 C	ALS 433 TX
Plunger Pump	PP-1251C	PP-4231NE	PP-4301C	PP-4301CNE
Pressure Ratio	25:1	23:1	30:1	
Delivery Paint Filter	TF-8 (100 Mesh)	TF-8N (100 Mesh)	TF-8 (100 Mesh)	TF-8N (100 Mesh)
Suction Paint Filter	50 mesh	30 mesh	50 mesh	30 mesh
Max. Fluid Working Pressure	170 bar	156 bar	204 bar	
Max. Air Inlet Pressure	6.8 bar		6.8 bar	
Max. Fluid Output	2.5 l/min	8.0 l/min	5.0 l/min	
Max. N. of Cycle	90 cyc	100 cyc	90 cyc	



## ORDER INFORMATION

CODE	MODEL	CONFIGURATION	€
1405831900	ALS-333 C	AIRLESS UNIT (25:1)	2708,00
1A231W083100	ALS-423 TX	AIRLESS UNIT (23:1) with STAINLESS STEEL FLUID PASSAGES	4473,50
1405834800	ALS-433 C	AIRLESS UNIT (30:1) with STAINLESS STEEL FLUID PASSAGES	3282,00
1A301W083100	ALS-433 TX	AIRLESS UNIT (30:1) with STAINLESS STEEL FLUID PASSAGES	4504,80

## MODELS:



ALS-333 C



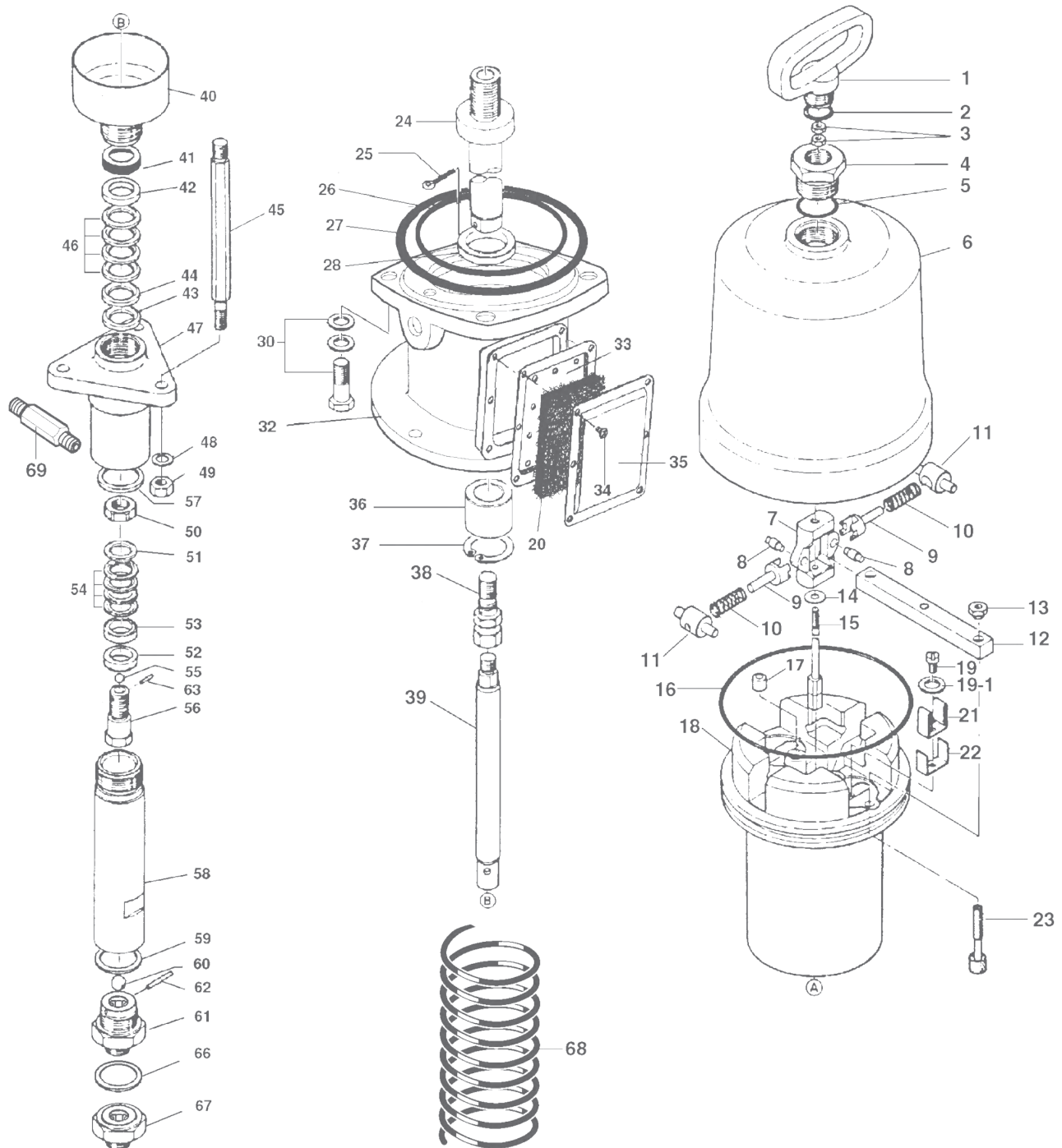
ALS-423 TX



ALS-433 C / ALS-433 TX

**ORDER INFORMATION**

CODE	DESCRIPTION	FOR VERSION	€
145600000	TF-8 DELIVERY PAINT FILTER SET	for ALS 333 C - ALS 433 C	234,90
145700000	TF-8 N DELIVERY PAINT FILTER SET	for ALS 423 TX - ALS 433 TX	644,80
0200309102	AIR REGULATOR SET	for ALS 333 C	193,30
0200309401	AIR REGULATOR SET	for ALS 423 TX - ALS 433 C - ALS 433 TX	219,20
0101009000	DIP TUBE SET (50 mesh filter)	for ALS 333 C - ALS 433 C	146,50
0101030000	DIP TUBE SET with STAINLESS STEEL CONNECTION (30 mesh filter)	for ALS 423 TX - ALS 433 TX	355,00



# ALS-333 C - ALS-423 TX - ALS-433 C - ALS-433 TX

REF.	CODE	DESCRIPTION		ALS -333 C	ALS -423 TX	ALS -433 C	ALS -433 TX	ALS -453C	€
1	04470100	HANDLE		X	X	X	X	X	33,50
2	04447100	PACKING		X	X	X	X	X	7,60
3	UL300702	HEXAGON NUT		X	X	X	X	X	0,70
4	04435100	HEAD BOLT		X					29,60
4	04435150	HEAD BOLT			X	X	X	X	26,00
5	06630030	'O' RING		X	X	X	X	X	1,30
6	0440110000	AIR CYLINDER		X					176,40
6	0440115000	AIR CYLINDER			X	X	X	X	212,90
7	04409100	CHANGEOVER MAIN BODY		X					174,10
7	04409150	CHANGEOVER MAIN BODY			X	X	X	X	64,30
8	04420100	PIN		X					10,70
8	04420150	PIN			X	X	X	X	12,70
9	04411100	CHANGEOVER PIN		X					37,60
9	04411150	CHANGEOVER PIN			X	X	X	X	37,60
10	04412100	SPRING		X					5,00
10	04412150	SPRING			X	X	X	X	5,10
11	04419100	SPRING HOLDER		X					22,50
11	04419150	SPRING HOLDER			X	X	X	X	28,60
12	04407100	CHANGEOVER BAR		X					66,40
12	04407150	CHANGEOVER BAR			X	X	X	X	48,30
13	04415100	NUT		X					5,60
13	04415150	NUT			X	X	X	X	5,60
14	04444110	WASHER		X	X	X	X	X	0,50
15	04410100	CHANGEOVER ROD		X					33,70
15	04410150	CHANGEOVER ROD			X	X	X	X	14,40
16	06638043	PISTON O-RING		X					1,90
16	06630145	PISTON O-RING			X	X	X	X	2,20
17	04935680	EXHAUST PACKING SET	(2 pcs./1pk.)	X	X	X	X	X	4,80
18	0440310000	AIR PISTON		X					282,20
18	0440315000	AIR PISTON			X	X	X	X	425,90
19	UL300606	SCREW		X	X	X	X	X	0,30
19-1	UL300820	SPRING WASHER		X	X	X	X	X	0,90
20	UM331028	MUFFLER FILTER		X	X	X	X	X	2,40
21	04408100	CHANGEOVER BAR SUPPORT		X					14,60
21	04408150	CHANGEOVER BAR SUPPORT			X	X	X	X	14,60
22	04413100	REINFORCE PLATE		X					8,70
22	04413150	REINFORCE PLATE			X	X	X	X	8,20
23	0493469001	VALVE SHAFT KIT	(2 pcs./1pk.)	X					73,10
23	0493657001	VALVE SHAFT KIT	(2 pcs./1pk.)		X	X	X	X	79,90
24	04479100	PISTON ROD		X					105,80
24	04479150	PISTON ROD			X	X	X	X	126,40
25	UM330155	SPLIT PIN		X	X	X	X	X	0,70
26	06638039	'O' RING		X					1,70
26	06630112	'O' RING			X	X	X	X	2,00

# SPARE PARTS



REF.	CODE	DESCRIPTION	ALS 333 C	ALS 423 TX	ALS 433 C	ALS 433 TX	ALS 453C	€
27	06634120	'O' RING	X					7,40
27	06637537	'O' RING		X	X	X	X	8,00
28	04459100	STOPPER	X	X	X	X	X	3,50
30	06137130	BOLT + WASHER	X					1,50
30	06137830	BOLT + WASHER		X	X	X	X	1,00
32	UM33102102	MAIN BODY	X					211,20
32	UM43102102	MAIN BODY		X	X	X	X	221,90
33	UM331027	MUFFLER PLATE	X	X	X	X	X	15,00
34	UL300620	SCREW	X	X	X	X	X	0,90
35	UM331026	EXHAUST COVER	X	X	X	X	X	13,90
36	04431100	BUSHING	X					65,90
36	04431150	BUSHING		X	X	X	X	70,70
37	UL300804	STOPPER	X					2,20
37	UM431060	STOPPER		X	X	X	X	1,30
38	04485100	CONNECTING ADAPTOR	X					13,10
38	04485150	CONNECTING ADAPTOR		X	X	X	X	13,10
39	04430100	ROD	X					290,20
39	0231001000	ROD		X				423,60
39	04430150	ROD			X			305,60
39	04002790	ROD				X		416,80
39	0443021000	ROD					X	163,30
40	0448210003	THINNER CUP SET	X					99,20
40	0231002001	THINNER CUP SET		X				122,20
40	0448215002	THINNER CUP SET			X			107,10
40	0171003001	THINNER CUP SET				X		132,90
40	0448220001	THINNER CUP SET					X	70,30
41	04471100	SLEEVE	X					32,70
41	04010700	SLEEVE		X				5,60
41	04471150	SLEEVE			X			77,30
41	0171009000	SLEEVE				X		5,00
41	0447120000	SLEEVE					X	22,00
42	04441100	V PACKING FEMALE UPPER ADAPTOR	X					22,50
42	0231003000	V PACKING FEMALE UPPER ADAPTOR		X				31,50
42	04441150	V PACKING FEMALE UPPER ADAPTOR			X			20,20
42	04004790	V PACKING FEMALE UPPER ADAPTOR				X		31,20
42	0444120000	V PACKING FEMALE UPPER ADAPTOR					X	21,80
43	04401110	SPACER	X					13,60
43	0231025000	SPACER		X				13,70
43	04401160	SPACER			X	X		13,50
43	04001160	SPACER					X	12,60



# ALS-333 C - ALS-423 TX - ALS-433 C - ALS-433 TX

REF.	CODE	DESCRIPTION		ALS 333 C	ALS 423 TX	ALS 433 C	ALS 433 TX	ALS 453C	€
44	04443100	V PACKING MALE UPPER ADAPTOR		X					25,30
44	0231005000	V PACKING MALE UPPER ADAPTOR			X				25,00
44	04443150	V PACKING MALE UPPER ADAPTOR				X			23,00
44	04000800	V PACKING MALE UPPER ADAPTOR					X		25,70
44	0444320000	V PACKING MALE UPPER ADAPTOR						X	23,00
45	0443011000	CONNECTING ROD		X					25,30
45	0231022001	CONNECTING ROD			X		X		27,70
45	0443016000	CONNECTING ROD				X		X	25,10
46	0493210000	UPPER V PACKING SET	(4 pcs./1pk.)	X					22,80
46	0494231100	UPPER V PACKING SET	(4 pcs./1pk.)		X				30,90
46	0494015000	UPPER V PACKING SET	(4 pcs./1pk.)			X	X		29,00
46	0494020000	UPPER V PACKING SET	(4 pcs./1pk.)					X	39,10
47	0448310100	SUCTION MAIN BODY		X					97,50
47	0231008001	SUCTION MAIN BODY			X				156,10
47	0448315100	SUCTION MAIN BODY				X			105,80
47	0448320200	SUCTION MAIN BODY						X	141,10
47	0171008001	SUCTION MAIN BODY					X		119,40
48	UL300802	SPRING WASHER		X	X	X	X	X	0,30
49	UL300703	HEXAGON NUT		X	X	X	X	X	0,40
50	04445110	NUT		X					56,20
50	0231020000	NUT			X				14,60
50	04414150	NUT				X			52,50
50	04000790	NUT					X		57,70
50	0444520000	NUT						X	21,90
51	04443110	V PACKING MALE LOWER ADAPTOR		X					11,10
51	0231019000	V PACKING MALE LOWER ADAPTOR			X				22,50
51	04443161	V PACKING MALE LOWER ADAPTOR				X			25,30
51	04001800	V PACKING MALE LOWER ADAPTOR					X		22,70
51	0444321100	V PACKING MALE LOWER ADAPTOR						X	23,00
52	04402110	LOWER DISTANCE RING		X					12,90
52	0231010000	LOWER DISTANCE RING			X				13,50
52	04400160	LOWER DISTANCE RING				X			13,90
52	0400016000	LOWER DISTANCE RING					X		14,10
53	04441110	V PACKING FEMALE LOWER ADAPTOR		X					20,20
53	0231017000	V PACKING FEMALE LOWER ADAPTOR			X				20,10
53	04441160	V PACKING FEMALE LOWER ADAPTOR				X			18,10
53	04005790	V PACKING FEMALE LOWER ADAPTOR					X		24,90
53	0444121100	V PACKING FEMALE LOWER ADAPTOR						X	23,10
54	0493010000	LOWER V PACKING SET	(4 pcs./1pk.)	X					19,50
54	0494231200	LOWER V PACKING SET	(4 pcs./1pk.)		X				30,90
54	0494215000	LOWER V PACKING SET	(4 pcs./1pk.)			X	X		28,70
54	0494220000	LOWER V PACKING SET	(4 pcs./1pk.)					X	35,50

# SPARE PARTS

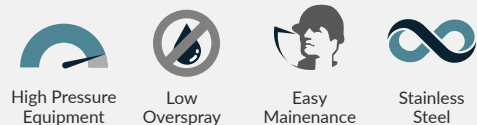


REF.	CODE	DESCRIPTION	ALS 333 C	ALS 423 TX	ALS 433 C	ALS 433 TX	ALS 453C	€
55	06662025	BALL	X		X		X	4,40
55	06662040	BALL		X				3,30
55	06662026	BALL				X		8,20
56	04461100	VALVE HOLDER SET	X					257,10
56	0231029001	VALVE HOLDER SET		X				210,60
56	04460160	VALVE HOLDER SET			X			270,90
56	0446017100	VALVE HOLDER SET				X		201,00
56	0446120000	VALVE HOLDER SET					X	90,10
57	04447600	UPPER PACKING	X					11,90
57	0231007000	UPPER PACKING		X				9,70
57	04447150	UPPER PACKING			X			12,70
57	0231015000	UPPER PACKING				X		12,90
57	0444720000	UPPER PACKING					X	4,80
58	0443410001	SUCTION TUBE	X					364,80
58	0231024000	SUCTION TUBE		X				435,70
58	0443415001	SUCTION TUBE			X			315,70
58	0171001000	SUCTION TUBE				X		516,00
58	0443420000	SUCTION TUBE					X	368,30
59	04447610	LOWER PACKING	X				X	2,80
59	0231030000	LOWER PACKING		X		X		12,90
59	04447160	LOWER PACKING			X			12,70
60	06662050	BALL	X		X			13,30
60	06662051	BALL		X		X		13,90
60	06662040	BALL					X	3,30
61	04407060	VALVE ADAPTOR SET	X					108,30
61	0231028000	VALVE ADAPTOR SET		X		X		176,10
61	04460150	VALVE ADAPTOR SET			X			108,80
61	0446020000	VALVE ADAPTOR SET					X	110,60
62	04420600	PIN	X				X	0,90
62	0231023000	PIN		X		X		4,40
62	04420160	PIN			X			4,20
63	04420170	PIN			X	X		4,10
63	0657502000	PIN					X	0,20
64	0231009000	SCREW		X				1,20
65	0231014000	SPRING		X				1,10
66	0231031000	PACKING		X		X		4,30
67	UL30046400	NIPPLE		X		X		43,80
68	04413050	SPRING	X	X	X	X	X	16,40
69	UM43061000	FLUID OUTPUT JOINT		X				31,60
69	UM43060900	FLUID OUTPUT JOINT				X		28,40
72	UM43061101	FLUID OUTPUT JOINT	X		X		X	25,30



# ALS-653 N KE -663 N KE AIRLESS PUMPS

## FEATURES



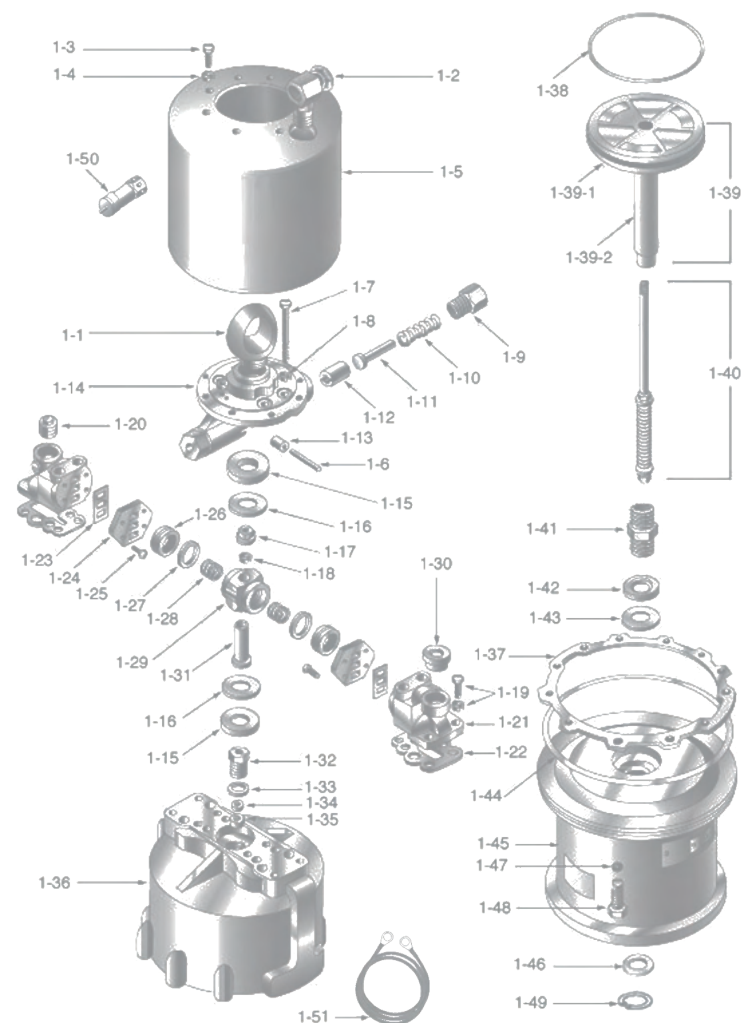
Airless pneumatic piston pump, ideal for application on large surfaces in the carpentry sector, industrial bodywork, nautical, wood and plastics, mechanical construction and ferrous materials. Designed for use with high viscosity products such as protective, glues, epoxy resins for anti-corrosion protection.



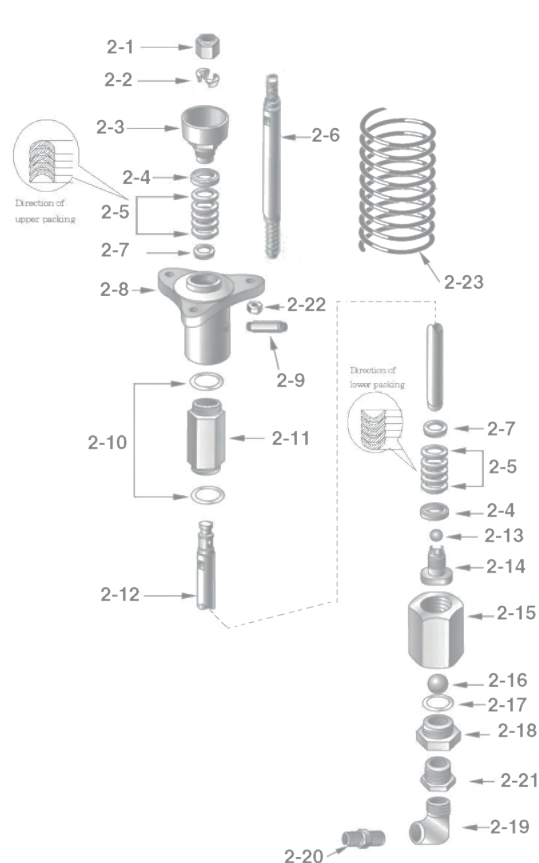
## TECHNICAL DATA

	ALS- 653 N KE	ALS-663 N KE
Pressure Ratio	45:1	63:1
Delivery Paint Filter	60 mesh	
Suction Paint Filter	30 mesh	
Max. Fluid Working Pressure	270 bar	378 bar
Max. Air Inlet Pressure	6.0 bar	
Max. Fluid Output	12.5 l/min	11 l/min
Max. N. of Cycle	50 cyc	

## AIR MOTOR SET



## FLUID PUMP SET





# SPARE PARTS



## ORDER INFORMATION

CODE	DESCRIPTION	€
14057810	ALS-663 N KE AIRLESS UNIT (45:1)	8253,40
14057800	ALS-653 N KE AIRLESS UNIT (63:1)	9195,00
14965300	DELIVERY PAINT FILTER SET	on request
0101000000	COMPLETE DIP TUBE WITH 30 MESH FILTER	on request
0200653000	AIR REGULATOR SET	on request

## ORDER INFORMATION

REF.	CODE	DESCRIPTION	€
<b>ALS 663/653 N KE PNEUMATIC MOTOR</b>			
1-1	98019180	EYEBOLT	90,60
1-2	98020180	ELBOW UNION	196,30
1-3	98021180	HEXAGON BOLT	7,60
1-4	98022180	SPRING WASHER	4,10
1-5	98023180	AIR MOTOR COVER	on request
1-6	98018190	PIN	40,30
1-7	98019190	HEXAGON BOLT	7,00
1-8	98020190	SPRING WASHER	1,10
1-9	98021190	RETAINER	100,70
1-10	98022190	SPRING	30,40
1-11	98023190	SPRING GUIDE	65,80
1-12	98018200	PLUNGER	110,60
1-13	98019200	ROLLER	40,30
1-14	98020200	HOUSING	on request
1-15	98021200	DAMPER	35,30
1-16	98022200	WASHER	35,30
1-17	98018150	NUT	70,30
1-18	98019150	SPRING WASHER	3,10
1-19	98020150	BOLT + WASHER	1,80
1-20	98021150	PLUG WITH HEX HOLE	8,10
1-21	98022150	MANIFOLD	on request
1-22	98023150	GASKET	25,10
1-23	98018160	SEAL VALVE PLATE	18,10
1-24	98019160	VALVE PLATE	264,10
1-25	98020160	SCREW	1,10
1-26	98021160	VALVE	141,60
1-27	98022160	'O' RING	6,40
1-28	98023160	SPRING	30,90
1-29	98018170	VALVE HOUSING	on request
1-30	98019170	GROMMET	30,90
1-31	98020170	HUB	90,50
1-32	98021170	BEARING	45,30
1-33	98022170	GASKET	6,00
1-34	98023170	LEATHER PACKING	8,10
1-35	98018180	PACKING	10,00
1-36	98020290	AIR CYLINDER	on request
1-37	98021290	CYLINDER GASKET	35,80
1-38	98022290	PISTON O-RING	13,10
1-39-1	98023290	PISTON	754,40
1-39-2	98018300	PISTON ROD	439,30
1-40	98020340	CHANGEVER ROD SET	427,80

REF.	CODE	DESCRIPTION	€
1-41	98023300	PISTON TUBE	90,50
1-42	98018310	U-PACKING	23,60
1-43	98019300	WASHER	19,90
1-44	98020310	'O' RING	10,00
1-45	98021310	BASE	on request
1-46	98022310	SEAL	247,00
1-47	98023310	SPRING WASHER	0,90
1-48	98018320	HEXAGON BOLT	1,50
1-49	98019370	SNAP RING	9,10
1-50	UL30035900	SAFETY VALVE	90,50
1-51	98019750	GROUND WIRE	14,40

## ALS 663/653 N KE FLUID PUMP

REF.	CODE	DESCRIPTION	€
2-1	98021260	CAP NUT	50,30
2-2	98022260	COUPLING	30,30
2-3	98020350	THINNER CUP	ALS 663 N KE 439,30
2-3	98023260	THINNER CUP	ALS 653 N KE 439,30
2-4	98026080	BUSHING F	ALS 663 N KE 33,40
2-4	98024030	BUSHING F	ALS 653 N KE 48,80
2-5	94381830	V PACKING SET (5 pcs.)	ALS 663 N KE 79,70
2-5	94381900	V PACKING SET (5 pcs.)	ALS 653 N KE 119,20
2-6	98021270	TIE ROD	60,30
2-7	98027080	GLAND M	ALS 663 N KE 34,90
2-7	98025030	GLAND M	ALS 653 N KE 53,00
2-8	98028080	PUMP HOUSING	ALS 663 N KE 1 768,60
2-8	98026030	PUMP HOUSING	ALS 653 N KE 1 768,60
2-9	98027030	NIPPLE	143,70
2-10	98028030	PACKING SEAL	13,60
2-11	98029080	SLEEVE	ALS 663 N KE 1 299,20
2-11	98029030	SLEEVE	ALS 653 N KE 1 315,00
2-12	98024090	ROD	ALS 663 N KE 1 102,40
2-12	98024040	ROD	ALS 653 N KE 1 103,50
2-13	98025040	BALL 7/8"	24,30
2-14	98025090	PISTON	ALS 663 N KE 179,90
2-14	98026040	PISTON	ALS 653 N KE 222,90
2-15	98027040	INTAKE HOUSING	594,90
2-16	98028040	BALL 1/4"	98,30
2-17	98029040	PACKING SEAL	27,40
2-18	98024050	INTAKE VALVE	329,50
2-19	98025050	ELBOW	46,90
2-20	98026050	NIPPLE	75,60
2-21	98027050	BUSHING	57,50
2-22	98023270	NUT	5,10
2-23	98020750	SAFETY GUARD	55,20



# FPP-655 EXTRUSION PUMP

## FEATURES



High Pressure Equipment



Low Overspray



Easy Maintenance



Stainless Steel



Extrusion System

Extrusion pneumatic piston pump suitable in the automotive, glass, air conditioning and hydraulic, clothing, accessories and electric sectors for transferring glues, silicon, sealants, grease, adhesives, mastic and high viscosity and high-density products.

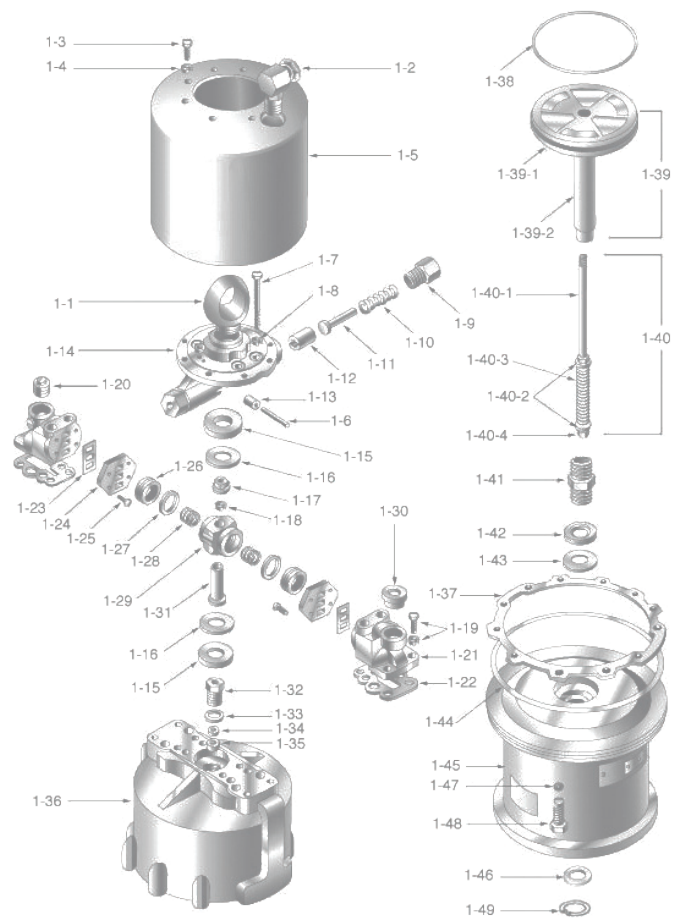
## TECHNICAL DATA

	FPP-655
Pressure Ratio	45:1
Max. Fluid Working Pressure	270 bar (27 MPa)
Max. Air Inlet Pressure	6.0 bar (0.6 MPa)
Fluid Output	10 l/min

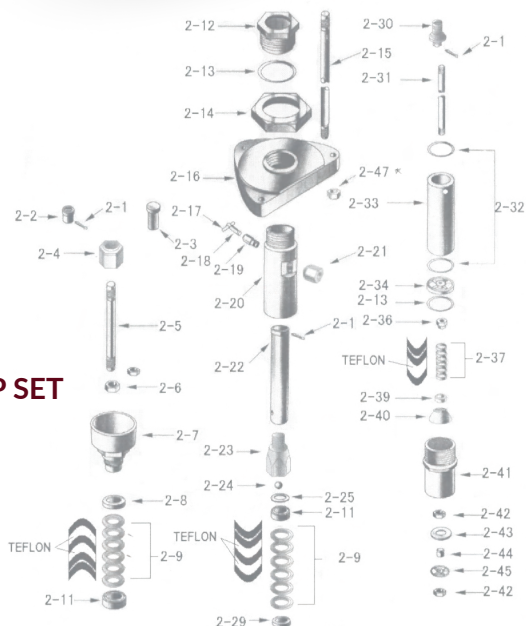
## ORDER INFORMATION

CODE	CONFIGURATION	€
14051000	FPP 655 EXTRUSION PISTON PUMP	15925,60

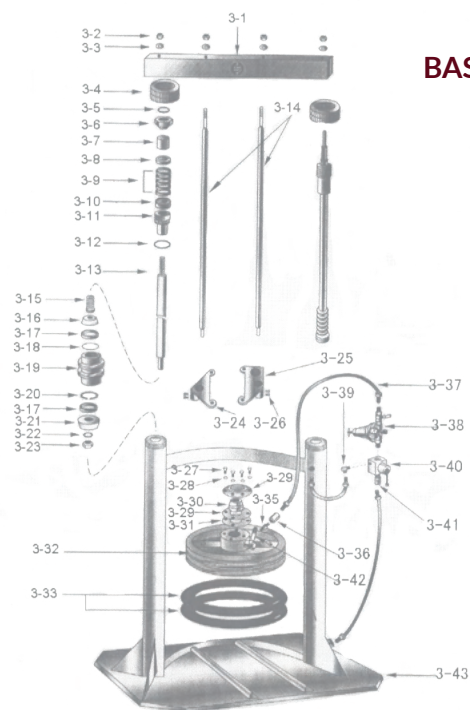
## AIR MOTOR SET



## FLUID PUMP SET



## BASE



# SPARE PARTS



REF.	CODE	DESCRIPTION	€
<b>PNEUMATIC MOTOR Spares</b>			
1-1	98019180	EYEBOLT	90,60
1-2	98020180	ELBOW UNION	196,30
1-3	98021180	HEXAGON BOLT	7,60
1-4	98022180	SPRING WASHER	4,10
1-5	98023180	AIR MOTOR COVER	on request
1-6	98018190	PIN	40,30
1-7	98019190	HEXAGON BOLT	7,00
1-8	98020190	SPRING WASHER	1,10
1-9	98021190	RETAINER	100,70
1-10	98022190	SPRING	30,40
1-11	98023190	SPRING GUIDE	65,80
1-12	98018200	PLUNGER	110,60
1-13	98019200	ROLLER	40,30
1-14	98020200	HOUSING	on request
1-15	98021200	DAMPER	35,30
1-16	98022200	WASHER	35,30
1-17	98018150	NUT	70,30
1-18	98019150	SPRING WASHER	3,10
1-19	98020150	BOLT + WASHER	1,80
1-20	98021150	PLUG WITH HEX. HOLE	8,10
1-21	98022150	MANIFOLD	on request
1-22	98023150	GASKET	25,10
1-23	98018160	SEAL VALVE PLATE	18,10
1-24	98019160	VALVE PLATE	264,10
1-25	98020160	SCREW	1,10
1-26	98021160	VALVE	141,60
1-27	98022160	'O' RING	6,40
1-28	98023160	SPRING	30,90
1-29	98018170	VALVE HOUSING	on request
1-30	98019170	GROMMET	30,90
1-31	98020170	HUB	90,50
1-32	98021170	BEARING	45,30
1-33	98022170	GASKET	6,00
1-34	98023170	LEATHER PACKING	8,10
1-35	98018180	PACKING	10,00
1-36	98020290	AIR CYLINDER	on request
1-37	98021290	CYLINDER GASKET	35,80
1-38	98022290	PISTON O-RING	13,10
1-39-1	98023290	PISTON	754,40
1-39-2	98018300	PISTON ROD	439,30
1-40	98020340	CHANGEOVER ROD SET	427,80
1-41	98023300	PISTON TUBE	90,50
1-42	98018310	U-PACKING	23,60
1-43	98019300	WASHER	19,90
1-44	98020310	'O' RING	10,00
1-45	98021310	BASE	on request
1-46	98022310	SEAL	247,00
1-47	98023310	SPRING WASHER	0,90
1-48	98018320	HEXAGON BOLT	1,50
1-49	98019370	SNAP RING	9,10
<b>FLUID PUMP Spares</b>			
2-1	98018600	PIN	1,10
2-2	98019600	COUPLING	42,40
2-4	98021600	NUT	51,30
2-5	98022600	ROD	48,90
2-6	98023600	NUT	4,50
2-7	98018610	THINNER CUP	166,90
2-8	98019610	GLAND F	24,50
2-9	98019640	V PACK. SET TEFLON 2 pcs./ UHMWPE 4 pcs.	100,50
2-11	98022610	GLAND M	23,50
2-12	98023610	NUT	122,40
2-13	98020650	'O' RING	28,20
2-14	98019620	NUT	120,80
2-15	98020620	CONNECTING ROD	69,00
2-16	98021620	FLANGE	232,90
2-18	98023620	PLUG	14,70

REF.	CODE	DESCRIPTION	€
<b>FLUID PUMP Spares</b>			
2-19	98018630	SOCKET	21,90
2-20	98019630	PUMP HOUSING	on request
2-21	98020630	NIPPLE	67,00
2-22	98021630	ROD	241,40
2-23	98022630	HOUSING	12,40
2-24	98023630	BALL	15,40
2-25	98018640	WASHER	9,30
2-29	98023640	GLAND (F)	18,50
2-30	98018650	PISTON	83,70
2-31	98019650	ROD	251,00
2-32	98020650	'O' RING	27,20
2-33	98021650	CYLINDER	on request
2-34	98022650	GUIDE	75,40
2-36	98018660	NUT	50,30
2-37	98020640	V PACK.SET TEFLON 2 pcs. UHMWPE 4 pcs	92,30
2-39	98021660	GLAND (F)	8,50
2-40	98022660	VALVE	167,60
2-41	98023660	INTAKE HOUSING	on request
2-42	98018670	NUT	6,00
2-43	98019670	INTAKE PLATE	37,80
2-44	98020670	GUIDE	62,80
2-45	98021670	PISTON	62,80
2-47	98023270	NUT	5,10
<b>BASE Spares</b>			
3-1	98023670	BEAM	on request
3-2	98018680	NUT	1,00
3-3	98019680	WASHER	0,60
3-4	98020680	CAP	109,00
3-5	98021680	SEAL	13,50
3-6	98022680	NUT	75,40
3-7	98023680	BEARING	42,00
3-8	98018690	GLAND (F)	16,00
3-9	98019690	V PACK.SET TEFLON 3 pcs UHMWPE 3 pcs	25,20
3-10	98020690	GLAND (M)	15,90
3-11	98021690	HOUSING	on request
3-12	98022690	'O' RING	9,30
3-13	98023690	PISTON ROD	on request
3-14	98018700	CONNECTING ROD	109,00
3-15	98019700	SPRING	58,60
3-16	98020700	SPACER	17,60
3-17	98021700	U-PACKING	24,20
3-18	98022700	'O' RING	14,30
3-19	98023700	PISTON	75,40
3-20	98018710	WEAR RING	27,80
3-21	98020710	SPACER	24,50
3-22	98021710	WASHER	0,60
3-23	98022710	NUT	1,00
3-24	98023710	BRACKET (F)	281,00
3-25	98018720	BRACKET (M)	142,30
3-26	98019720	BOLT	1,00
3-27	98020720	BOLT	1,00
3-28	98021720	WASHER	0,60
3-29	98022720	SEAL RETAINER	14,30
3-30	98023720	SEAL	11,00
3-31	98018730	GASKET	16,90
3-32	98019730	INDUCTOR PLATE	on request
3-33	98020730	WIPER	175,90
3-35	98022730	NIPPLE	7,50
3-36	98023730	HOLDER	21,00
3-37	98018740	AIR HOSE	58,60
3-38	98019740	AIR REGULATOR	310,00
3-39	98020740	ONE TOUCH NIPPLE	14,30
3-40	98021740	HAND VALVE	on request
3-41	98022740	SILENCER	21,00
3-42	98023740	BALL VALVE	75,40
3-43	98018750	DOUBLE POST	on request

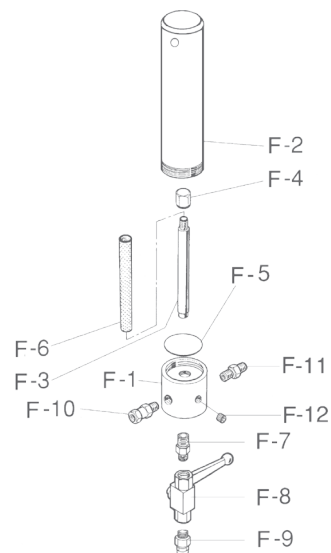


# DELIVERY PAINT FILTERS

## TF-8 DELIVERY PAINT FILTER SET

For ALS-333 C | ALS-433 C | MSU-323 C

CODE	DESCRIPTION		REF.	€
1456000000	TF-8 DELIVERY PAINT FILTER SET			234,90
04560670	BODY		F-1	58,30
04561670	CYLINDER		F-2	109,50
0457000300	SCREW		F-3	40,40
0457000400	NUT		F-4	10,70
06639045	'O' RING		F-5	4,60
VFM2503	FILTER 100 Mesh		F-6	4,60
UL300020	NIPPLE	R 3/8" M - R 1/4" M	F-7	2,70
UL300900	DRAIN VALVE	G 1/4" FF	F-8	77,10
UL300302	HOSE JOINT	R 1/4" M - M8X6	F-9	2,70
UL300018	SWIVEL JOINT	R 1/4" M - G 1/4" F	F-10	4,60
UL300012	NIPPLE	G 1/4" M - R 1/4" M	F-11	5,50
06990412	PLUG	R 1/4"	F-12	7,00

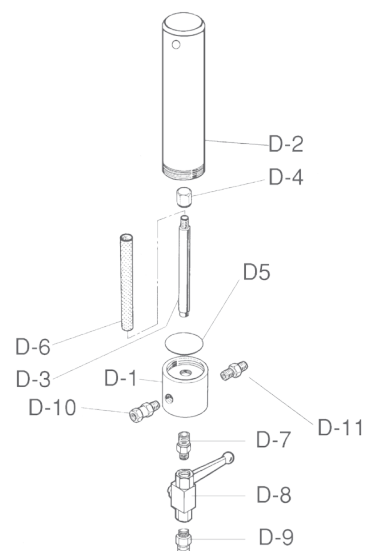


## TF-8N DELIVERY PAINT FILTER SET

For ALS-423 TX -433 TX | MSU-323 CTX -423 TX -433 TX- | MSU-113N

ICON PUMPS: Icon-M433N & -M333N | Icon-A433N & A333N

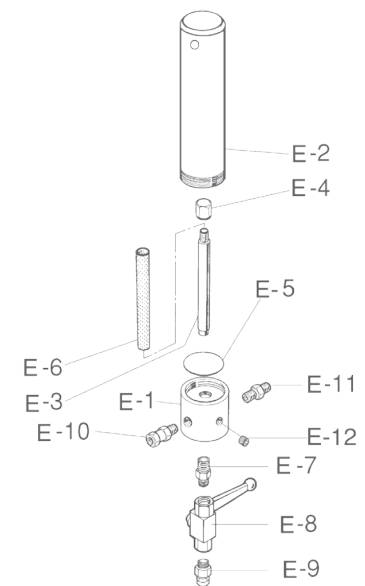
CODE	DESCRIPTION		REF.	€
1457000000	TF-8 N DELIVERY PAINT FILTER SET			644,80
0457000200	BODY		D-1	155,20
0457000100	CYLINDER		D-2	191,50
0457000300	SCREW		D-3	40,40
0457000400	NUT		D-4	10,70
06639045	'O' RING		D-5	4,60
VFM2503	FILTER 100 Mesh		D-6	4,60
UL300453	NIPPLE	R 1/4" M - R 3/8" M	D-7	24,70
UL30090100	DRAIN VALVE	G 1/4" FF	D-8	158,00
UL300302	HOSE JOINT	R 1/4" M - M8X6	D-9	2,70
UL300402	UNION JOINT	MF 3/8"	D-10	55,40
UL30046300	FLUID OUTPUT JOINT	M 3/8" - G 1/4" M	D-11	30,30



## TF-9 DELIVERY PAINT FILTER SET

For ALS-453C

CODE	DESCRIPTION		REF.	€
1458000000	TF-9 DELIVERY PAINT FILTER SET			373,50
04566670	BODY		E-1	105,80
04561670	CYLINDER		E-2	109,50
0457000300	SCREW		E-3	40,40
0457000400	NUT		E-4	10,70
06639045	'O' RING		E-5	4,60
VFM2503	FILTER 100 Mesh		E-6	4,60
UL300020	NIPPLE	R 3/8" M - R 1/4" M	E-7	2,70
UL300900	DRAIN VALVE	G 1/4" FF	E-8	77,10
UL300302	HOSE JOINT	R 1/4" M - M8X6	E-9	2,70
UL300018	SWIVEL JOINT	R 1/4" M - G 1/4" F	E-10	4,60
UL300012	NIPPLE	G 1/4" M - R 1/4" M	E-11	5,50
06990412	PLUG	R 1/4"	E-12	7,00



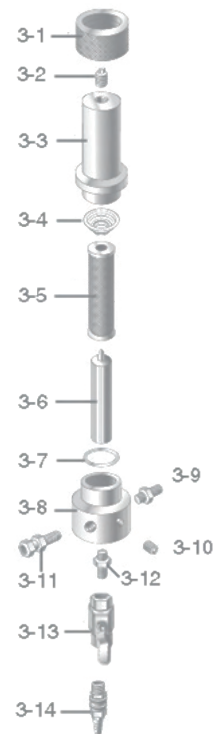
for **AIRLESS & MULTI SPRAY UNITS**



### DELIVERY PAINT FILTER SET

For ALS-653 N KE - ALS-663 N KE

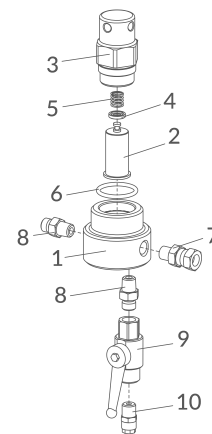
CODE	DESCRIPTION		REF.	€
14965300	DELIVERY PAINT FILTER SET			on request
98028050	RING	653/663 N KE	3-1	283,40
98029050	PLUG	653/663 N KE	3-2	13,60
98024060	CYLINDER	653/663 N KE	3-3	521,60
98025060	SPRING	653/663 N KE	3-4	4,00
98023250	FILTER 100 Mesh		3-5	50,30
94000060	FILTER 60 Mesh		3-5	46,50
94000120	FILTER 80 Mesh		3-5	46,50
98018260	FILTER HOLDER		3-6	65,50
98019260	PACKING		3-7	30,30
98026060	BODY	653/663 N KE	3-8	521,60
98027060	OUTLET JOINT	653/663 N KE	3-9	30,40
98028060	PLUG	653/663 N KE	3-10	13,60
98029060	INLET JOINT	653/663 N KE	3-11	111,20
98024070	NIPPLE	653/663 N KE	3-12	32,60
98021210	RECIRCULATION VALVE		3-13	211,30
98022210	DRAIN NIPPLE		3-14	35,30



### TF-1S DELIVERY PAINT FILTER SET

For Icon M233N | A233N

CODE	DESCRIPTION	REF.	€
140002A0	TF-1S DELIVERY PAINT FILTER SET		317,50
940053A0	FILTER BODY	1	62,90
VFM2704	FILTER 100 MESH	2	12,50
940054A0	CYLINDER	3	36,30
940055A0	WASHER	4	6,10
940056A0	FILTER SPRING	5	13,00
960021A0	O-RING 3.53-32.92	6	7,00
96859022	SWIVEL JOINT R1/4"M - G1/4"F	7	47,00
UL300462	JOINT G1/4" - R1/4"	8	55,70
UL30090100	DRAIN VALVE	9	158,00
UL300302	HOSE JOINT	10	2,70

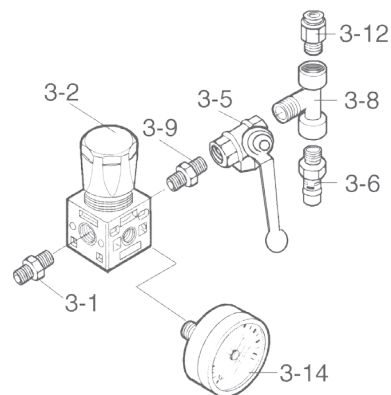


# AIR REGULATORS for AIRLESS UNITS

## AIR REGULATOR

for ALS-333 C

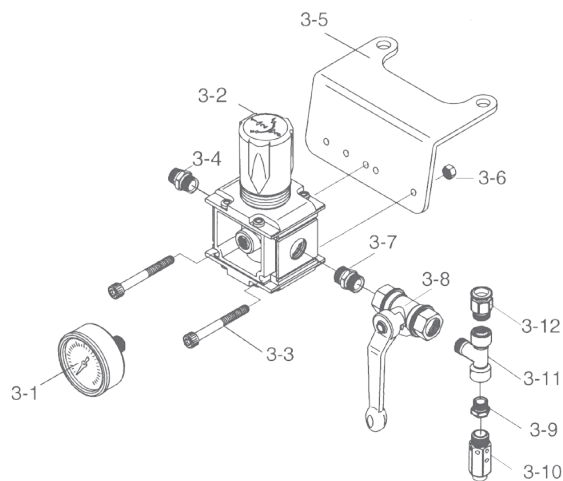
CODE	DESCRIPTION		REF.	€
0200309102	AIR REGULATOR SET			193,30
UL30010501	SPECIAL NIPPLE	G1/4" M-R 1/4"M	3-1	4,10
UI00070001	AIR REGULATOR	G1/4"	3-2	68,30
UL30034901	BALL VALVE WITH EXHAUST HOLE	G 1/4" FF	3-5	64,60
UL30036000	SAFETY VALVE	G 1/4"	3-6	32,40
UL30030000	"T"JOINT	1/4" F/M/F	3-8	6,70
UL300101	NIPPLE	1/4" MM	3-9	4,50
UL300312	QUICK JOINT	1/4" M	3-12	7,40
02004003	PRESSURE GAUGE	(Optional)	3-14	29,30
UL00005201	PLATE	(Optional)		20,30
06350455	HEXAGON SOCKET BOLT	(Optional)		3,50
94006050	AIR REGULATOR with PLATE	(Optional)		69,90



## AIR REGULATOR

for ALS-433 C -433 TX | -453 C | -423 TX

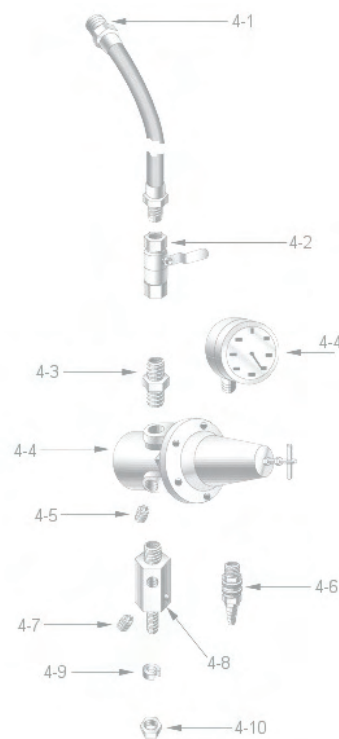
CODE	DESCRIPTION		REF.	€
0200309401	AIR REGULATOR SET			219,20
02004003	PRESSURE GAUGE	(Optional)	3-1	29,30
UI00080000	AIR REGULATOR	3/8"	3-2	88,30
UL30061900	SCREW		3-3	0,90
0475050110	JOINT	G1/4"- R 3/8"	3-4	7,40
UL00005201	PLATE		3-5	20,30
UL30070600	NUT		3-6	1,00
UL30010200	NIPPLE	R3/8"	3-7	2,60
UL30034801	3 WAY VALVE	3/8"	3-8	53,40
UL300163	REDUCTION R3/8" G1/4" MF	R3/8" G1/4" MF	3-9	1,80
UL30036000	SAFETY VALVE	G 1/4"	3-10	32,40
UL30029800	"T"JOINT	3/8" F/M/F	3-11	7,20
UL30032400	QUICK JOINT	3/8" 10x12	3-12	5,20
94006060	AIR REGULATOR with PLATE	(Optional)	3-2, 3-5	94,30



## AIR REGULATOR

for ALS-653 N KE | ALS-663 N KE

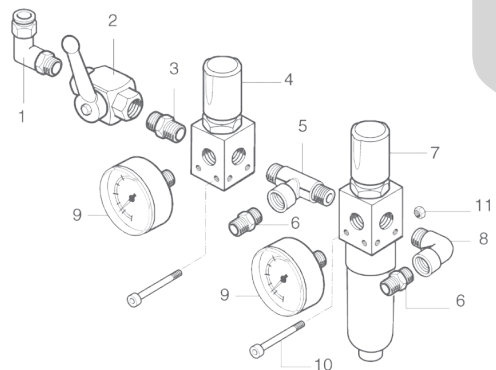
CODE	DESCRIPTION		REF.	€
0200653000	AIR REGULATOR SET			on request
98023210	AIR HOSE		4-1	on request
UL30035000	3 WAY VALVE 3/4"FF	(only for 653/663 N KE)	4-2	103,30
98019220	NIPPLE		4-3	23,30
98020220	AIR REGULATOR & GAUGE		4-4	on request
98021220	PLUG		4-5	10,40
98023220	AIR COUPLING		4-6	60,60
98018230	PLUG		4-7	4,10
98019230	AIR MANIFOLD		4-8	135,80
98020230	SPRING WASHER		4-9	19,30
98021230	NUT		4-10	9,80
0584752300	AIR MUFFLER	(only for 653/663 N KE)	4-11	12,80



### AIR REGULATOR

for MSU-113N

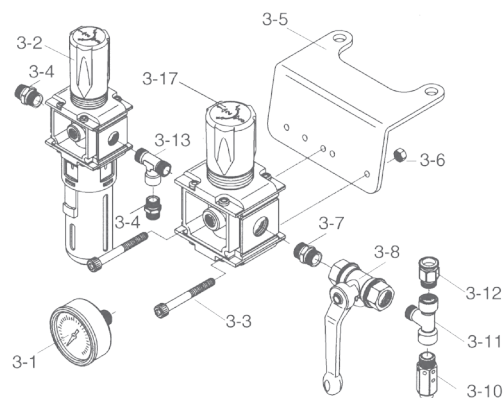
CODE	DESCRIPTION		REF.	€
04307152	AIR REGULATOR SET			<b>256,20</b>
UL300309	"L" QUICK COUPLING	1/4"M	1	<b>7,60</b>
UL30034901	BALL VALVE WITH EXHAUST HOLE	G 1/4" FF	2	<b>64,60</b>
UL300101	NIPPLE	1/4" MM	3	<b>4,50</b>
UI00070001	AIR REGULATOR	G 1/4"	4	<b>68,30</b>
UL300303	UNION "T" JOINT	G1/4"F-R1/4"MM	5	<b>4,60</b>
UL30010501	SPECIAL NIPPLE	G1/4" M-R 1/4"M	6	<b>4,10</b>
9UI00070101	AIR REGULATOR + FILTER	G 1/4"	7	<b>118,40</b>
UL300201	"L" JOINT 1/4" MF		8	<b>6,75</b>
02004003	PRESSURE GAUGE	(Optional)	9	<b>29,30</b>
06350455	HEXAGON SOCKET BOLT	(Optional)	10	<b>3,50</b>
UL300700	HEXAGON NUT		11	<b>0,20</b>



### AIR REGULATOR

for MSU-323 C | MSU-323 CTX

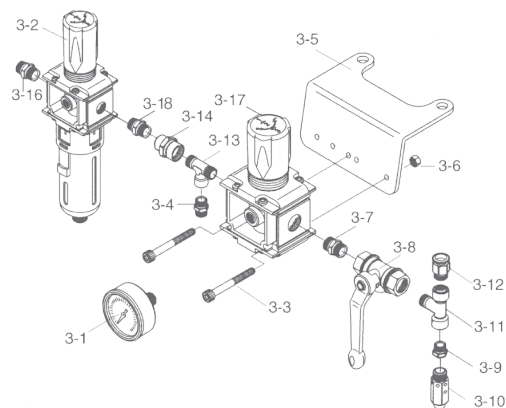
CODE	DESCRIPTION		REF.	€
0200309502	AIR REGULATOR SET			<b>315,30</b>
02004003	PRESSURE GAUGE	(Optional)	3-1	<b>29,30</b>
9UI00070101	AIR REGULATOR + FILTER	G 1/4"	3-2	<b>118,40</b>
06350455	HEXAGON SOCKET BOLT	(Optional)	3-3	<b>3,50</b>
UL30010501	SPECIAL NIPPLE	G1/4" M-R 1/4"M	3-4	<b>4,10</b>
UL00005201	PLATE	(Optional)	3-5	<b>20,30</b>
UL300700	HEXAGON NUT	(Optional)	3-6	<b>0,20</b>
UL300101	NIPPLE	1/4" MM	3-7	<b>4,50</b>
UL30034901	BALL VALVE WITH EXHAUST HOLE	G 1/4" FF	3-8	<b>64,60</b>
UL30036000	SAFETY VALVE	G 1/4"	3-10	<b>32,40</b>
UL30030000	"T" JOINT	1/4" F/M/F	3-11	<b>6,70</b>
UL300312	QUICK JOINT	1/4" M	3-12	<b>7,40</b>
UL300303	UNION "T" JOINT	G1/4"F-R1/4"MM	3-13	<b>4,60</b>
UI00070001	AIR REGULATOR	G 1/4"	3-17	<b>68,30</b>
94006050	AIR REGULATOR with PLATE	(Optional)	3-5, 3-17	<b>69,90</b>



### AIR REGULATOR

for MSU-423 TX MSU-433 TX

CODE	DESCRIPTION		REF.	€
0200309602	AIR REGULATOR SET			<b>311,30</b>
02004003	PRESSURE GAUGE	(Optional)	3-1	<b>29,30</b>
9UI00070101	AIR REGULATOR + FILTER	G 1/4"	3-2	<b>118,40</b>
UL30061900	SCREW	(Optional)	3-3	<b>0,90</b>
0475050110	JOINT	G 1/4" - R 3/8"	3-4	<b>7,40</b>
UL00005201	PLATE	(Optional)	3-5	<b>20,30</b>
UL30070600	HEXAGON NUT	(Optional)	3-6	<b>1,00</b>
UL30010200	NIPPLE	R 3/8"	3-7	<b>2,60</b>
UL30034801	THREE WAY VALVE	3/8"	3-8	<b>53,40</b>
UL300163	REDUCTION	R 3/8" G 1/4"MF	3-9	<b>1,80</b>
UL30036000	SAFETY VALVE	G 1/4"	3-10	<b>32,40</b>
UL30029800	"T"JOINT	3/8" F/M/F	3-11	<b>7,20</b>
UL30032400	QUICK JOINT	3/8" Ø12	3-12	<b>5,20</b>
UL30029900	"T" JOINT	G3/8" M/F/M	3-13	<b>14,60</b>
UL30016500	REDUCTION	R1/4"F - G3/8"F	3-14	<b>3,00</b>
UL30010501	SPECIAL NIPPLE	G1/4" M-R 1/4" M	3-16	<b>4,10</b>
UI00080001	AIR REGULATOR	3/8"	3-17	<b>105,70</b>
UL300101	NIPPLE	1/4" MM	3-18	<b>4,50</b>
94006060	AIR REGULATOR with PLATE	(Optional)	3-5, 3-17	<b>94,30</b>



# HIGH PRESSURE CONDUCTIVE HOSES

## NH-25 HIGH PRESSURE PAINT HOSE

CLAMPED WITH SWIVEL JOINTS:	G1/4"
INNER DIAMETER (Ø INCH):	3/16"
MAX. WORKING PRESSURE:	250 bar - 3626 PSI - 25 Mpa
MAX. WORKING TEMPERATURE:	-40°C ÷ 70°C / -40°F ÷ 158°F
ELECTRICAL RESISTENCE:	<1MΩ
CONFORM OR EXCEED STANDARDS:	SAE J517/100R7 - UNI EN 855-ISO 3949
FEATURES	Internal core in polyamide, reinforcement in two polyester fiber braids, external cover in anti-abrasion polyurethane.

CODE	DESCRIPTION	LENGHT	€
14156850	NH-25050 HIGH PRESSURE PAINT HOSE	5 m	110,90
14156860	NH-25075 HIGH PRESSURE PAINT HOSE	7,5 m	130,00
14156870	NH-25100 HIGH PRESSURE PAINT HOSE	10 m	149,20
14000100	NH-25150 HIGH PRESSURE PAINT HOSE	15 m	187,70
14156880	NH-25200 HIGH PRESSURE PAINT HOSE	20 m	224,30
14156890	NH-25300 HIGH PRESSURE PAINT HOSE	30 m	301,10

## NH - 25



## NH-35 HIGH PRESSURE PAINT HOSE

CLAMPED WITH SWIVEL JOINTS:	G1/4"
INNER DIAMETER (Ø INCH):	3/16"
MAX. WORKING PRESSURE:	350 bar - 5076 PSI - 35 Mpa
MAX. WORKING TEMPERATURE:	-40°C ÷ 70°C / -40°F ÷ 158°F
ELECTRICAL RESISTENCE:	<1MΩ
CONFORM OR EXCEED STANDARDS:	SAE 100R1-EN 853 1ST, 1SN-EN 857 1SC
FEATURES	Internal core in polyamide, reinforcement in high tensile steel braid, external cover in anti-abrasion polyurethane.

CODE	DESCRIPTION	LENGHT	€
14156900	NH-35050 HIGH PRESSURE PAINT HOSE	5 m	120,90
14156910	NH-35075 HIGH PRESSURE PAINT HOSE	7,5 m	145,00
14156920	NH-35100 HIGH PRESSURE PAINT HOSE	10 m	171,30
14000110	NH-35150 HIGH PRESSURE PAINT HOSE	15 m	224,30
14156930	NH-35200 HIGH PRESSURE PAINT HOSE	20 m	267,00
14156940	NH-35300 HIGH PRESSURE PAINT HOSE	30 m	370,30

## NH - 35



## NHT-25 N - NHT-25 HIGH PRESSURE TWIN HOSE

MODELS:	NHT-25 N	NHT-25
CLAMPED WITH SWIVEL JOINTS:	NPSM 1/4"	G1/4"
INNER DIAMETER (Ø INCH):	3/16"	
MAX. WORKING PRESSURE:	250 bar - 3626 PSI - 25 Mpa	
MAX. WORKING TEMPERATURE:	-40°C ÷ 70°C / -40°F ÷ 158°F	
ELECTRICAL RESISTENCE:	<1MΩ	
CONFORM OR EXCEED STANDARDS:	SAE J517/100R7 - UNI EN 855-ISO 3949	
FEATURES PAINT HOSE:	Internal core in polyamide, reinforcement in two polyester fiber braids, external cover in anti-abrasion polyurethane.	
FEATURES AIR HOSE:	In Polyurethane - Inner diameter ø: 5 mm - Swivel joint: G1/4" Max. working pressure: 17 bar - 246 PSI - 1.7 Mpa Max. working Temperature: -20°C ÷ 60°C / -4°F ÷ 140°F	

CODE	PAINT	AIR	DESCRIPTION	LENGHT	€
NHT-25 N	NPSM 1/4"	G1/4"	NHT-25050 N - HP TWIN HOSE	5 m	174,80
			NHT-25075 N - HP TWIN HOSE	7,5 m	210,50
			NHT-25100 N - HP TWIN HOSE	10 m	250,60
			NHT-25150 N - HP TWIN HOSE	15 m	294,80
			NHT-25200 N - HP TWIN HOSE	20 m	396,90
NHT-25	G1/4"	G1/4"	NHT-25300 N - HP TWIN HOSE	30 m	541,40
			NHT-25050 - HP TWIN HOSE	5 m	174,80
			NHT-25075 - HP TWIN HOSE	7,5 m	210,50
			NHT-25100 - HP TWIN HOSE	10 m	250,60
			NHT-25150 - HP TWIN HOSE	15 m	294,80
			NHT-25200 - HP TWIN HOSE	20 m	396,90
			NHT-25300 - HP TWIN HOSE	30 m	541,40

## NHT - 25 NHT - 25 N



## TWIN HOSES CLIPS SET (4 pcs./1 pk)

Code: 940134A0  
€ 5,88



HIGH PRESSURE TWIN HOSES for ICON PUMPS (Air hose longer than Paint hose)					
14000520	NPSM 1/4"	G1/4"	NHT-25075 N IC - HP TWIN HOSE	7,5 m	210,50
14000240	G1/4"	G1/4"	NHT-25075 IC - HP TWIN HOSE	7,5 m	180,00



# for AIRLESS & MULTI SPRAY UNITS



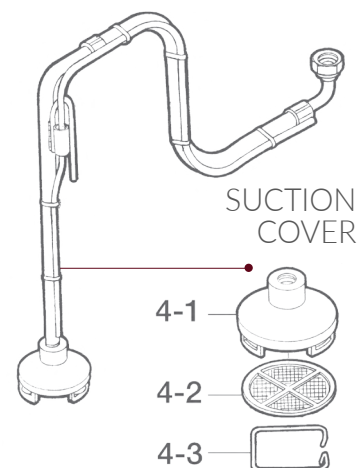
## MEDIUM & HIGH PRESSURE HOSES

CODE	DESCRIPTION	LENGHT	TYPE	NIPPLES		LENGHT	€
<b>HIGH PRESSURE HOSES (Fluid) for AIRLESS UNITS</b>							
00101055S	AIRLESS HOSE	3/16"	mt. 5	FLUID	1/4"-1/4"	AISI 303	90,70
00101000S	AIRLESS HOSE	3/16"	mt. 7,5	FLUID	1/4"-1/4"	AISI 303	127,30
00101010S	AIRLESS HOSE	1/4"	mt. 7,5	FLUID	1/4"-1/4"	AISI 303	139,80
00101005S	AIRLESS HOSE	3/16"	mt. 10	FLUID	1/4"-1/4"	AISI 303	163,50
00101015S	AIRLESS HOSE	1/4"	mt. 10	FLUID	1/4"-1/4"	AISI 303	162,90
00101016S	AIRLESS HOSE	3/8"	mt. 15	FLUID	3/8"-3/8"	AISI 303	285,20
<b>MEDIUM PRESSURE HOSES (Air/Fluid) for MULTI SPRAY UNITS</b>							
UH000703	TWIN HOSE		mt. 2.5	AIR / FLUID	1/4"-1/4"		67,10
UH000701	TWIN HOSE		mt. 7.5	AIR / FLUID	1/4"-1/4"		194,50
UH000712	TWIN HOSE		mt. 10	AIR / FLUID	1/4"-1/4"		251,60
UH000715	TWIN HOSE		mt. 15	AIR / FLUID	1/4"-1/4"		X



## SUCTION HOSE for AIRLESS MULTI SPRAY UNITS

CODE	DESCRIPTION	REF.	€
<b>SUCTION HOSE for ALS-333 C   ALS-433 C   ALS-453 C   MSU-323 C</b>			
0101009000	SUCTION HOSE SET with 50 MESH FILTER M15		146,50
UL10000701	COMPLETE COVER SET (50 MESH)	4	38,90
0040720100	FILTER 50 MESH	4-2	7,10
VFM3012	FILTER 100 MESH	4-2	7,10
00407203	FILTER STOPPER	4-3	3,50
<b>SUCTION HOSE for ALS-423 TX   -433 TX   MSU-423 TX   -433 TX   MSU-B303 / B193</b>			
0101030000	SUCTION HOSE SET WITH STAINLESS STEEL CONNECTION - FILTER 30 MESH		355,00
UL10001801	COMPLETE COVER SET (30 MESH)	4	40,70
0040720400	FILTER 30 MESH	4-2	4,60
00407203	FILTER STOPPER	4-3	3,50
<b>SUCTION HOSE for MSU-321N</b>			
0101040000	SUCTION HOSE SET - with STAINLESS STEEL CONNECTION - FILTER 50 MESH		72,20
UL10000701	COMPLETE COVER SET (50 MESH)	4	38,90



## SUCTION HOSE SET with 50 MESH FILTER

CODE	DESCRIPTION	REF.	€
<b>SUCTION HOSE for MSU-323 CTX   MSU-113N   Icon-M333N &amp; Icon-A333N</b>			
0101010000	SUCTION HOSE SET - 50 MESH FILTER M15		197,50
UL10000701	COMPLETE COVER SET (50 MESH)	4	38,90
0040720100	FILTER 50 MESH	4-2	7,10
VFM3012	FILTER 100 MESH	4-2	7,10
00407203	FILTER STOPPER	4-3	3,50

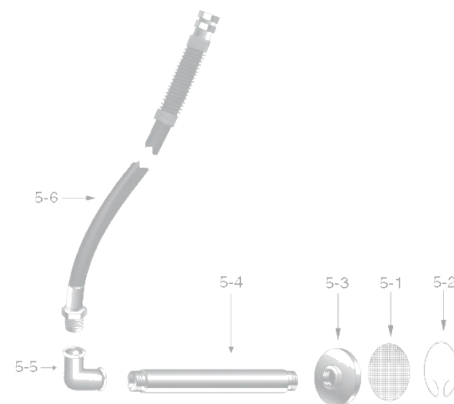
## SUCTION HOSE SET with 15 MESH FILTER

CODE	DESCRIPTION	REF.	€
94444750	SUCTION HOSE SET - 15 MESH - for Icon-M433N & Icon-A433N		218,60
04444760	FILTER 15 MESH	1	30,30

## SUCTION HOSE SET

for ALS-653 N KE | ALS-663 N KE

CODE	DESCRIPTION	NIPPLES	REF.	€
0101000000	SUCTION HOSE SET - for ALS-653 N KE   ALS-633 N KE			on request
98025070	SCREEN FILTER	653/663 N KE	5-1	6,10
98026070	FILTER STOPPER	653/663 N KE	5-2	5,40
98028070	COVER	653/663 N KE	5-3	30,30
98029070	SUCTION TUBE	653/663 N KE	5-4	60,50
98024080	"L" JOINT	653/663 N KE	5-5	26,50
98025080	FLEXIBLE HOSE	653/663 N KE	5-6	on request

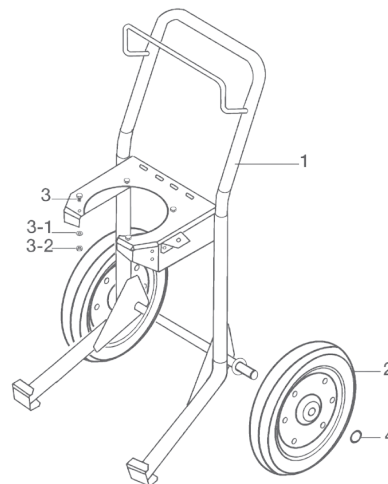


# ACCESSORIES for AIRLESS & MULTI SPRAY UNITS

## WHEEL CART

for ALS-653 N KE | ALS-663 N KE

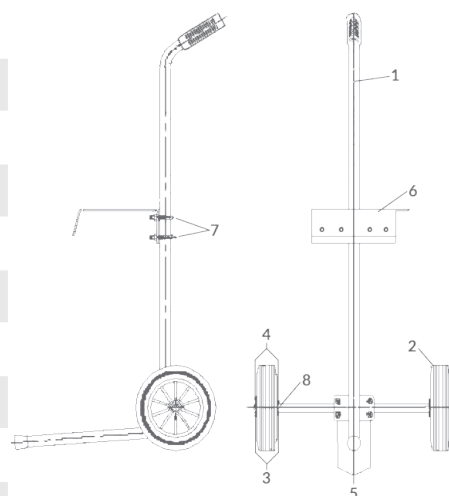
REF.	CODE	DESCRIPTION	€
1	98019332	CART ASSEMBLY	905,40
2	98105500	TYRE	168,70
3	96421030	BOLT	1,30
3-1	96475104	WASHER	0,50
3-2	96382104	NUT	1,00
4	98022330	TYRE SNAP RING (interchangeable w/previous model)	1,10



## WHEEL CART

for MSU-113N

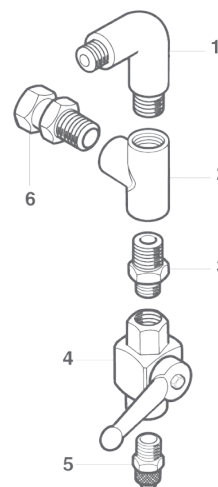
REF.	CODE	DESCRIPTION	€
	04320150	WHEEL CART SET	161,60
1	04930360	FRAME SET	86,20
2	UL200001	WHEEL	12,70
3	UL300811	SPLIT PIN	0,30
4	Z00019	WASHER	0,90
5	06991930	U BOLT	4,20
6	04306150	PUMP BASE	80,50
7	06991931	U BOLT	on request
8	04330150	SHAFT	18,90



## DRAIN OPERATING VALVE

for MSU-113N

REF.	CODE	DESCRIPTION	€
	04326160	DRAIN OPERATING VALVE SET	373,50
1	06858141	ELBOW MM	66,30
2	06641103	"T" JOINT FFF	48,20
3	UL300453	NIPPLE R 1/4" M- R 3/8" M	24,70
4	UL30090100	DRAIN VALVE G 1/4" FF	158,00
5	06891239	HOSE JOINT	48,90
6	UL300402	UNION JOINT MF 3/8"	55,40



# PAINT FILTERS for AIRLESS & MULTI SPRAY UNITS



## ORDER INFORMATION

CODE	DESCRIPTION	SIZE	€
<b>PIC. 1</b>			
VFM2201	FILTER	30 Mesh	5,40
VFM2202	FILTER	60 Mesh	5,40
VFM2203	FILTER	100 Mesh	5,90
VFM2204	FILTER	150 Mesh	6,50
VFM2205	FILTER	200 Mesh	6,50
<b>PIC. 2</b>			
VFM2301	FILTER	30 Mesh	5,00
VFM2302	FILTER	60 Mesh	5,00
VFM2303	FILTER	100 Mesh	5,40
VFM2304	FILTER	150 Mesh	5,90
VFM2305	FILTER	200 Mesh	6,50
<b>PIC. 3</b>			
VFM2401	FILTER	20 Mesh	10,85
VFM2402	FILTER	30 Mesh	10,85
VFM2403	FILTER	45 Mesh	10,85
VFM2404	FILTER	55 Mesh	10,85
VFM2405	FILTER	70 Mesh	11,40
VFM2406	FILTER	85 Mesh	11,40
VFM2407	FILTER	140 Mesh	11,40
VFM2408	FILTER	170 Mesh	12,40
VFM2409	FILTER	200 Mesh	12,40
VFM2410	FILTER	325 Mesh	14,00
VFM2411	FILTER	100 Mesh	11,40
VFM2412	FILTER	60 Mesh	11,40
<b>PIC. 4</b>			
VFM2801/B	FILTER	60 Mesh	16,30
VFM2802/B	FILTER	100 Mesh	17,30
VFM2803/B	FILTER	200 Mesh	17,30
VFM2801/S	FILTER	60 Mesh	17,30
VFM2802/S	FILTER	100 Mesh	19,50
VFM2803/S	FILTER	200 Mesh	20,00
<b>PIC. 5</b>			
VFM2801/N	FILTER	60 Mesh	3,70
VFM2802/N	FILTER	100 Mesh	3,70
VFM2803/N	FILTER	200 Mesh	3,70
<b>PIC. 6</b>			
VFM2801/L	FILTER	60 Mesh	14,70
VFM2802/L	FILTER	100 Mesh	14,70
VFM2803/L	FILTER	200 Mesh	18,40

PIC. 1



PIC. 2



PIC. 3



PIC. 4



PIC. 5



PIC. 6



# ACCV & AMV AUTOMATIC VALVES

## FEATURES



Color Change Valve



Easy Maintenance



Quick Rinse & Colour Change

## AMV AUTOMATIC MATERIAL VALVE

AMV automatic material valve takes care of the flushing process. It is placed on top of ACCV valve and flushes through the fluid delivery ports of one or more ACCV valves, in order to clean the fluid delivery ports to painting device. It is possible to involve AMV also into all the applications where it is needed a single valve to control the flow of a painting fluid materials.



TECHNICAL DATA		
Maximum working pressure:		250 bar
Control air pressure:		4~8 bar
Maximum working temperature:		50°C
Product fitting:		G 1/4"
Material specifications of the wetted parts	Valve body	Stainless steel AISI 304
	Seat and ball	Tungsten carbide
	Needle seal packing	PTFE lip seal

## ORDER INFORMATION

CODES	DESCRIPTION	€
140014A0	AMV SINGLE VALVE - COMPLETE	804,40
940178A0	SERVICE KIT AMV	316,40

## ACCV AUTOMATIC COLOR CHANGE VALVE

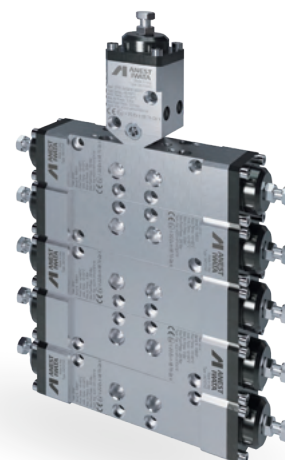
ACCV automatic color change valve is taking care of the actual color changing process. One or more ACCVs can be stacked to increase the number of colors to be changed. The ACCV is Anest Iwata's solution for Automatic Color Change Processes. The complete device is designed in a highly modular and flexible way, so that its functionality meets your requirements.



TECHNICAL DATA		
Maximum working pressure:		250 bar
Control air pressure:		4~8 bar
Maximum working temperature:		50°C
Product fitting:		G 1/4"
Material specifications of the wetted parts	Valve body	Stainless steel AISI 304
	Seat and ball	Tungsten carbide
	Needle seal packing	PTFE lip seal

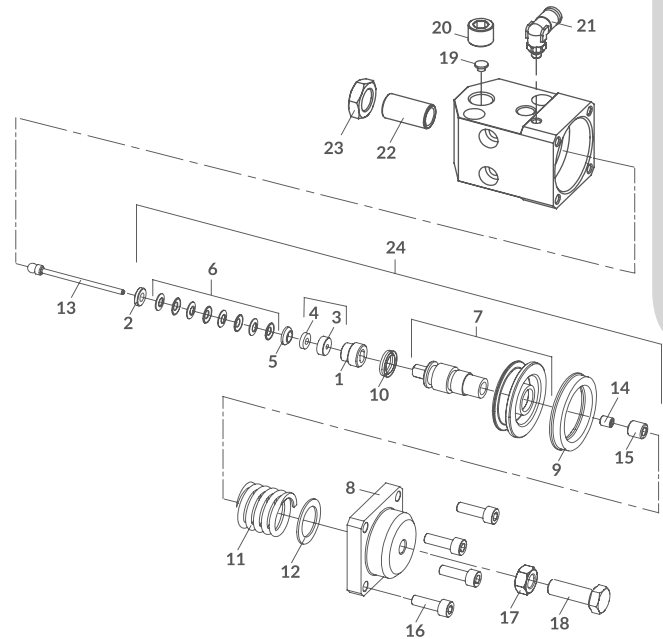
## ORDER INFORMATION

CODES	DESCRIPTION	€
140013A0	ACCV DOUBLE VALVE - COMPLETE	1422,20
940117A0	ACCV SERVICE PACK	316,70
940210A0	ACCV CONNECTION KIT	44,50



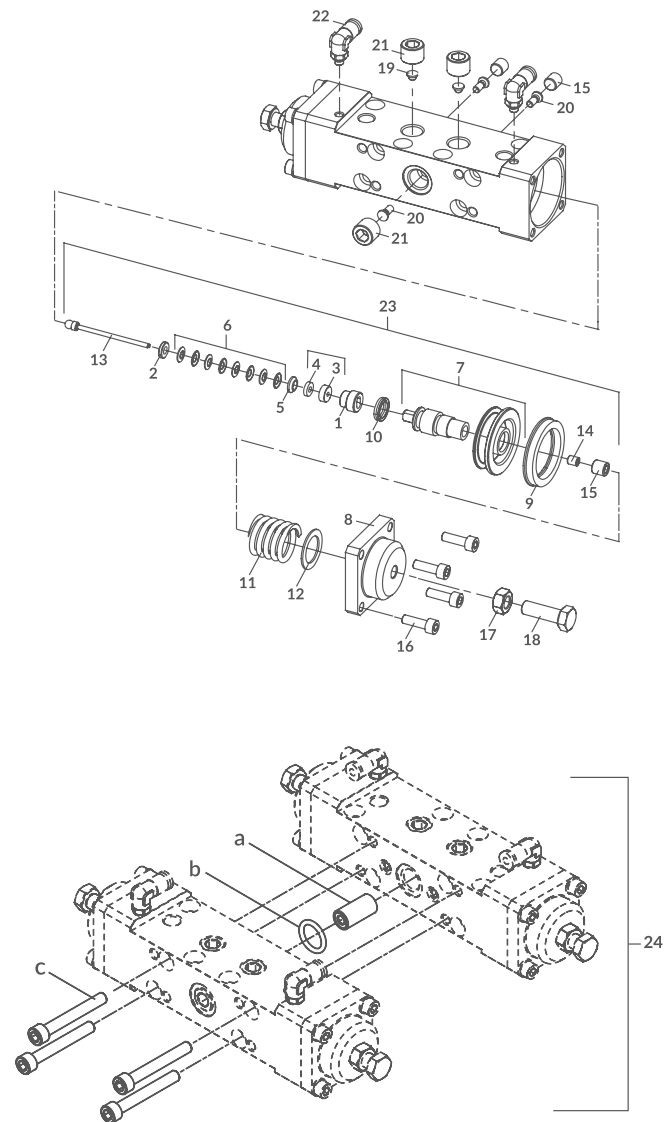
## AMV - ORDER INFORMATION

CODE	DESCRIPTION	REF.	€
03505180	ALG 7 GASKET SETTING BUSH	1	16,50
03504180	AL 96 SPRING WASHER HOLDER	2	14,90
03846170	ALG 5/7 MATERIAL GASKET	3/4	20,90
03067951	ALG 5/7 GASKET THRUST HOLDER	5	8,20
03844170	ALG/MSG SPRING WASHER KIT (8 PCS./1 KIT)	6	6,50
03932590	AL 96 PISTON SET	7	146,50
940099A0	ACCV/AMV CYLINDER VALVE PLUG	8	79,00
93029591	AL 80 AIR PISTON V GASKET	9	on.request
06996607	AL 96 AIR SHAFT V GASKET	10	14,90
03223600	AL 80 PISTON SPRING	11	25,60
03182590	AL 80 COLLAR	12	14,90
940097A0	AMV VALVE NEEDLE	13	184,00
06994603	M5x6 PLUG HEX.SOCKET	14	2,20
960038A0	ACCV/AMV PLUG M8	15	18,10
960044A0	ACCV/AMV PLUG M5X20	16	17,80
960036A0	ACCV/AMV NUT M8X1	17	17,80
960035A0	ACCV/AMV BOLT M8X1	18	18,30
940116A0	ACCV PLUG d. 4 SHORT	19	59,60
96367201	DDP-70BN PLUG G1/4" SS HEX. SOCKET	20	18,50
960037A0	ACCV/AMV L JOINT M5X4	21	24,90
940103A0	AMV HEAD NIPPLE	22	109,40
960045A0	AMV NUT G.1/4" AISI303	23	31,00
940178A0	AMV SERVICE PACK - (AL 96 Spring Washer Holder, ALG/MSG Spring Washer Kit - 8 Pcs./1 Kit, ALG 5/7 Gasket Thrust Holder, ALG 5/7 Material Gasket, ALG 7 Gasket Setting Bush, AL 96 Air Shaft V Gasket, AL 96 Piston Set, AL 80 Air Piston V Gasket, M5 X 12, ACCV/AMV Plug M8).	24	316,40



## ACCV - ORDER INFORMATION

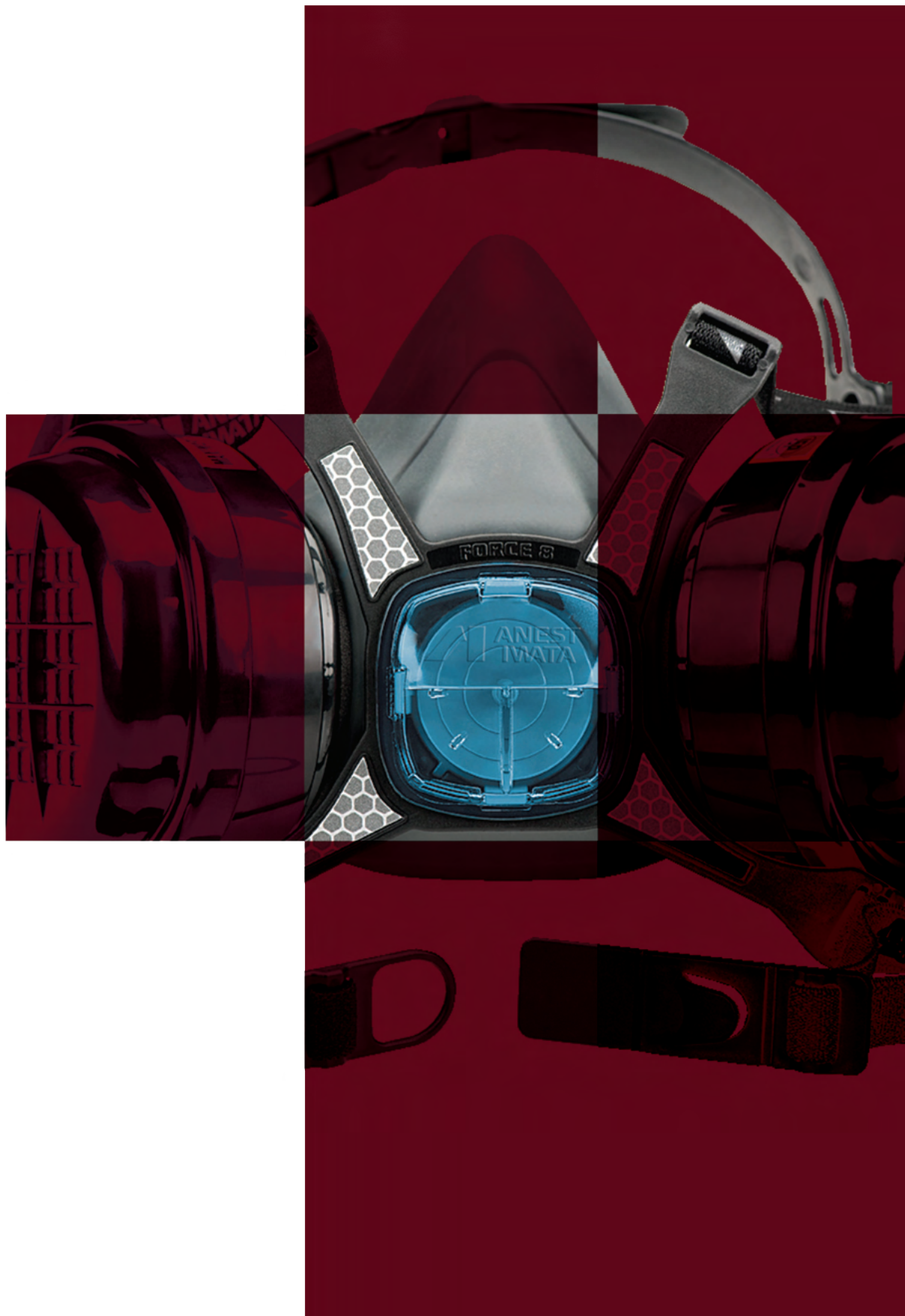
CODE	DESCRIPTION	REF.	€
03505180	ALG 7 GASKET SETTING BUSH	1	16,50
03504180	AL 96 SPRING WASHER HOLDER	2	14,90
03846170	ALG 5/7 MATERIAL GASKET	3/4	20,90
03067951	ALG 5/7 GASKET THRUST HOLDER	5	8,20
03844170	ALG/MSG SPRING WASHER KIT (8PCS./1KIT)	6	6,50
03932590	AL 96 PISTON SET	7	146,50
940099A0	ACCV/AMV CYLINDER VALVE PLUG	8	79,00
93029591	AL 80 AIR PISTON V GASKET	9	on request
06996607	AL 96 AIR SHAFT V GASKET	10	14,90
03223600	AL 80 PISTON SPRING	11	25,60
03182590	AL 80 COLLAR	12	14,90
940096A0	ACCV NEEDLE SET	13	184,00
06994603	M5 X 6 PLUG HEX.SOCKET	14	2,20
960038A0	ACCV/AMV PLUG M8	15	18,10
960044A0	ACCV/AMV BOLT M5X20	16	17,80
960036A0	ACCV/AMV NUT M8X1	17	17,80
960035A0	ACCV/AMV BOLT M8X1	18	18,30
940116A0	ACCV PLUG d.4 SHORT	19	59,60
940101A0	ACCV PLUG d.4	20	35,00
96367201	DDP-70BN PLUG G1/4" SS HEX.SOCKET	21	18,50
960037A0	ACCV/AMV L JOINT M5X4	22	24,90
940117A0	ACCV SERVICE PACK - (ACCV Needle Set, AL 96 Spring Washer Holder, ALG/MSG Spring Washer Kit (8pcs./1kit), ALG 5/7 Material Gasket, ALG 5/7 Gasket Thrust Holder, ALG 7 Gasket Setting Bush, AL 96 Air Shaft V Gasket, AL 96 Piston Set, AL 80 Air Piston V Gasket, M5 X 6 Plug Hex.socket, ACCV/AMV PlugM8)	23	316,40
940210A0	ACCV CONNECTION KIT - (Ref. a: Insert G 1/4" Ref. b: O-Ring / Ref. c: TCEI Screw M6x45)	24	44,50



6

GENERAL  
ACCESSORIES  
&  
HEALTH  
PROTECTION





# ANEST IWATA **OVERALL** - PREMIUM QUALITY

Premium Overall provides high protection against overspray and prevents pollution of the painting job by fibers, dust and lint. Designed for full comfort with antistatic fiber.

## PERSONAL PROTECTIVE EQUIPMENT (PPE)

Category I according to the European Directive 2016/425  
Basic PPE protects against minimal risks.



## OVERALL'S SIZE CHART

SIZE	S	M	L	XL
EU	46	48	50	52-54
HIGH	170-174 cm	174-178 cm	178-182 cm	182-190 cm
CHEST	86-94 cm	94-102 cm	102-110 cm	110-118 cm
WAIST	70-78 cm	78-86 cm	86-94 cm	94-102 cm



SAFETY EQUIPMENT

## ORDER INFORMATION

CODE	DESCRIPTION	SIZE	€
150006A0	PREMIUM OVERALL	S	110,00
150007A0	PREMIUM OVERALL	M	110,00
150008A0	PREMIUM OVERALL	L	110,00
150009A0	PREMIUM OVERALL	XL	110,00

# VISIONSHIELD PROTECTIVE **GOOGLES**

Polycarbonate lenses for medium energy hi-speed particles  
The frame offers protection against large dust particles and liquid droplets.

## ORDER INFORMATION

CODE	DESCRIPTION	€
AGN020-441-3P0	VISIONSHIELD GOOGLES	31,50



SAFETY EQUIPMENT

CONFORMS TO  
EN166:2001



# VISIONSHIELD PROTECTIVE **GLASSES**

Designed with soft rubber frame, with Polycarbonate lenses  
and adjustable non-slip nose pad.

## ORDER INFORMATION

CODE	DESCRIPTION	€
ASA770-15K-4P0	VISIONSHIELD GLASSES	24,40



SAFETY EQUIPMENT

CONFORMS TO  
EN166:2001





# AIR FED 2020 FULL FACE MASK



Compressed air-supplied respirator full face mask provides protection against airborne dusts, mists, gases and vapours. This system offers respiratory protection to class LDH 3 and hence offers a protection factor of up to 200 i.e.

#### EQUIPPED WITH:

Browguard and vizor - Cover for vizor - Waistbelt  
Pre-set air regulator - Carbon filter - Gun hose fittings 1,25 m



SAFETY EQUIPMENT

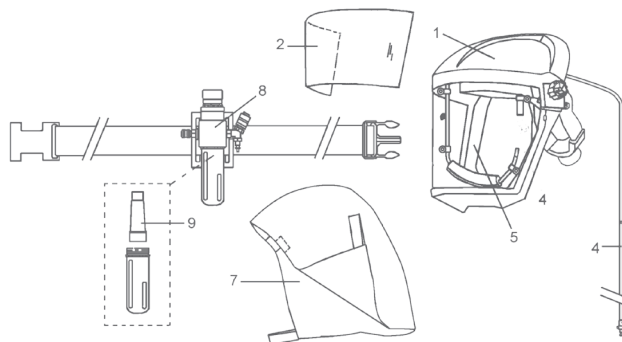
HOSE/AIRLINE BREATHING APPARATUS CONFORMS TO EN166:2001

VISOR CONFORMS TO EN166:2001



### ORDER INFORMATION

CODE	DESCRIPTION	REF.	QTY.	€
VIUAF2020KIT	2020 AIR FED MASK			506,50
VIUAF2020HEAD	2020 HEADPIECE ONLY	1		267,00
VIUAF2020/K10-SV	VISOR PEEL OFF COVERS	2	(10 pcs)	39,10
VIUAF2020/K50-SV	VISOR PEEL OFF COVERS	2	(50 pcs)	60,50
VIUAF2020CHIN	CHIN GUARD AND FACESCREEN	4		62,90
VIUAF2020DIFF	DIFFUSER TUBE	5		171,10
VIUAF2101K5	HYGIENE KIT	6	(5 pcs)	103,30
VIUAF2103K5	NAPE COVERS	7	(5 pcs)	117,20
VIUAF2207	BELT REGULATOR	8		235,90
VIUAFG-N-AF-MC	5 µ CARBON FILTER	9		64,10
VIUAF2003	BELT ONLY			27,40
VIUAF2400	BRACKET ONLY			11,20
I-UK-AH008-FT26	STUB HOSE			39,40
VIUAF2010HRNS	ADJ HARNESS			21,40



HEALTH PROTECTION

# VIPER HALF FACE GUARD MASK

### HALF MASK with INTERCHANGEABLE COMBINED FILTERS

Half mask respirators with two different types of filtration designed for the protection against dust, gases and vapors. Built-in inhalation valves in the filter. Low inhalation resistance



**A2 P3R FILTER FOR HIGH PROTECTION**

Medium Capacity Organic Gas / Vapors Filter (Hydrocarbons & Solvents)  
CONFORM TO: EN143:2000 + A1:2006

High Efficiency Particles Filters  
CONFORM TO: EN14387:2004



**AB1 P2R FILTER FOR STANDARD PROTECTION**

Low Capacity Organic Gas / Vapors Filter (Hydrocarbons & Solvents)  
CONFORM TO: EN143:2000 + A1:2006

Medium Efficiency Particles Filters  
CONFORM TO: EN14387:2004



SAFETY EQUIPMENT

### ORDER INFORMATION

CODE	DESCRIPTION	QTY.	€
150001A0	VIPER GUARD MASK (A2P3R Half Face Mask)		71,70
150002A0	VIPER GUARD MASK (AB1P2R Half Face Mask)		72,50
VIUGVM123	A2P3R FILTER SET	(2 pcs)	32,60
VIUGVM510	AB1P2R FILTER SET	(2 pcs)	33,70
VIUGVM002KIT	P2R PRE-FILTER SET	(4 pre-filters/2 holders)	11,00



# MAGNETIC SUPPORTS & GUN HOLDERS

## MAGNETIC STAND - Magnetic Support

### FEATURES

- Practical for every body shop fast, flexible and reliable adhesion on all metal surfaces thanks to an extra-strong all-surface magnet.
- Hold up to 20 kg (each holder, measured on a clean metal surface).
- Significant space savings in working area.
- Easy removal from spray both.



### ORDER INFORMATION

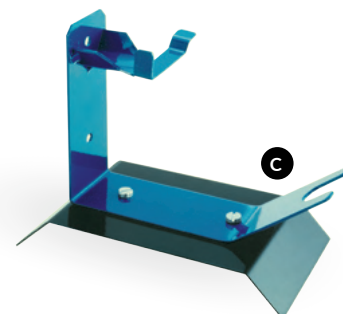
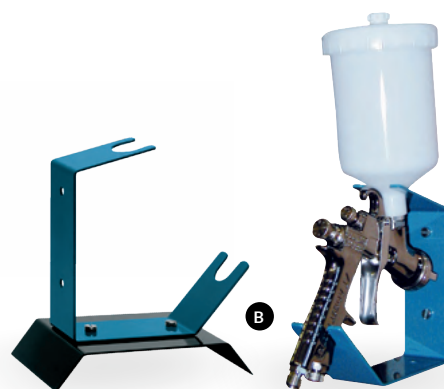
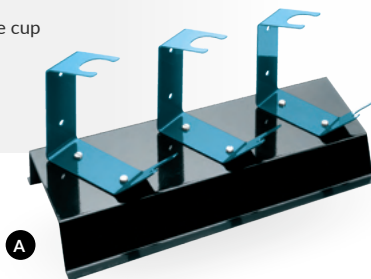
CODE	DESCRIPTION	REF.	€
W2COM6052	MAGNETIC SPRAY GUN HOLDER (for 3 Spray Guns)	1	66,10
W2COM6120	MAGNETIC SPRAY GUN HOLDER (1 Single Spray Gun)	2	33,70
W2COM6093	MAGNETIC ADAPTOR HOLDER (for PPS-RPS Adaptors)	3	18,70
W2COM6094	MAGNETIC AIR HOSE HOLDER (Max. Hose length 20 m)	4	70,00

## GRAVITY GUN HOLDERS

### FEATURES

Suitable to hold Gravity Guns after use or during the filling of the cup  
Available in 3 versions with base:

- Single Central Gravity (wall mountable)
- Multiple Central Gravity (3 places)
- Single Side Gravity



### ORDER INFORMATION

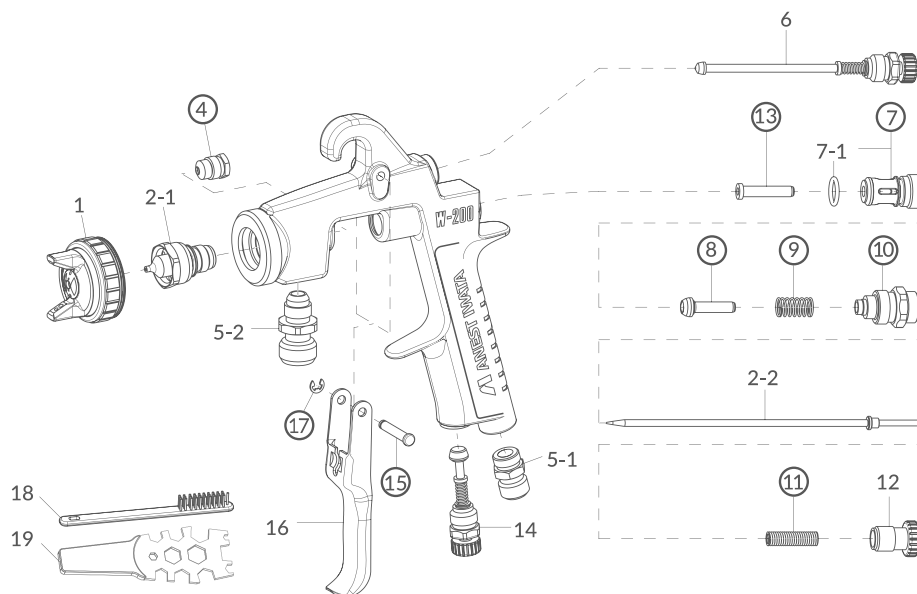
CODE	DESCRIPTION	REF.	€
W2501000500	CENTRAL GRAVITY GUN HOLDER (3 SPRAY GUNS)	A	86,30
W2501000100	CENTRAL GRAVITY GUN HOLDER (1 SPRAY GUN) WALL MOUNTABLE	B	27,70
W2501000600	SIDE GRAVITY GUN HOLDER (Single)	C	31,60

7

SUPERSEDED  
PRODUCTS



# W-200 PRESSURE & SUCTION SERIES

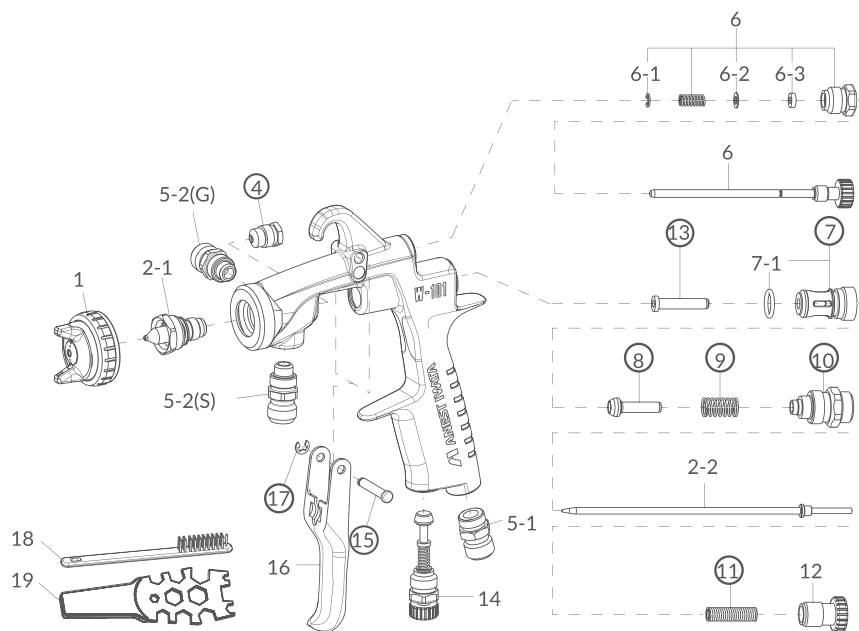


CODE	DESCRIPTION	QTY.	REF.	€	CODE	DESCRIPTION	REF.	€
93640620	AIR CAP SET (WBS1)	∅ 0.8/1.0/1.2/1.4	1	123,10	93810620	NEEDLE PACKING SET	4	32,30
93609620	AIR CAP SET (WB1)	∅ 0.8/1.0/1.2/1.4		124,70	03660300	AIR NIPPLE	5-1	11,10
93606620	NOZZLE + NEEDLE SET	∅ 0.8		222,70	03515600	FLUID NIPPLE	5-2	28,50
93612620	NOZZLE + NEEDLE SET	∅ 1.0		222,70	93840601	PATTERN ADJ. SET	6	46,10
93616620	NOZZLE + NEEDLE SET	∅ 1.2	2-1 + 2-2	222,70	03843530	AIR VALVE SEAT	7	28,00
93643620	NOZZLE + NEEDLE SET	∅ 1.4		222,70	06638008	'O'RING	7-1	2,90
93818610B	AIR CAP SET (G2P)	∅ 0.8/1.0/1.2		1	110,70	03591530	AIR VALVE	8
93830610B	AIR CAP SET (LV2)	∅ 0.8/1.0/1.2/1.5	110,70		03719530	AIR VALVE SPRING	9	8,20
93889610	NOZZLE + NEEDLE SET	∅ 0.8	2-1 + 2-2	113,60	93844532	FLUID ADJ. GUIDE SET	10	42,50
93890610	NOZZLE + NEEDLE SET	∅ 1.0		113,60	03593530	FLUID NEEDLE SPRING	11	8,20
93891610	NOZZLE + NEEDLE SET	∅ 1.2		113,60	93594532	FLUID ADJ. KNOB	12	16,90
93822610	NOZZLE + NEEDLE SET	∅ 1.5		113,60	93935430	AIR VALVE SHAFT	13	15,20
93624620	AIR CAP SET (WB2)	∅ 0.6/1.8	1	110,70	93845531	AIR ADJ. SET	14	42,50
93622620	NOZZLE + NEEDLE SET	∅ 0.6	2-1 + 2-2	141,70	93625370	PLUG (W200 S)	14-1	26,50
93635620	NOZZLE + NEEDLE SET	∅ 1.8		143,30	93014500	TRIGGER SET	16	27,40
93830610B	AIR CAP SET (LV2)	∅ 1.4	1	110,70	03708240	AIR CAP PACKING (WHITE)		3,20
93816610B	AIR CAP SET (K2)	∅ 1.5/1.8		111,30	03512600	AIR CAP "L" PACKING (BLACK)		5,60
93814610B	AIR CAP SET (R2)	∅ 2.0		111,30	W2COM6190	REPAIRING KIT 2 (includes: air valve seat set, air valve, air valve spring, fluid needle spring, air valve shaft, fluid adj. guide set, trigger stud, e-stopper, needle packing cartridge).		107,60
93816310B	AIR CAP SET (W1)	∅ 2.0		111,30	14018621	PCL 10 B3 SUCTION CONTAINER 1 lt.		79,20
93831610	NOZZLE + NEEDLE SET	∅ 1.4	2-1 + 2-2	113,60	04904281	CONTAINER FOR PCL 10 B3		72,30
93822610	NOZZLE + NEEDLE SET	∅ 1.5		113,60	04904302	NON DRIP SET for PCL 10 B3 (2 pcs./1 pk.)		9,10
93821610	NOZZLE + NEEDLE SET	∅ 1.8		113,60	94008300	LID PACKING SET FOR PCL 10 B3 (2 pcs./1 pk.)		12,60
93820610	NOZZLE + NEEDLE SET	∅ 2.0		113,60	04904311	FILTER 30 MESH FOR PCL 10 B3		1,80
93819610	NOZZLE + NEEDLE SET	∅ 2.0		113,60	14018200	PC 12 SUCTION CONTAINER 1 lt.		97,50
93507700	SPECIAL NEEDLE with TIP in Delrin	∅ 0.8/1.0/1.2		2-2	112,60	04002200	PACKING FOR PC 12	
W-200-X17-1	NEEDLE TIP in Delrin	∅ 0.8/1.0/1.2		20,70				

# W-101 SERIES



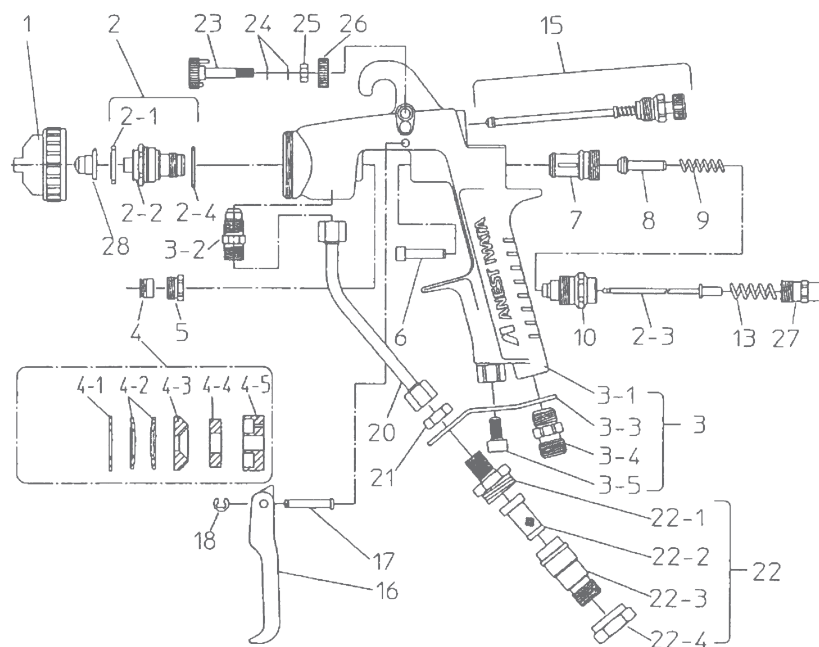
SUPERSEDED PRODUCTS



CODE	DESCRIPTION	QTY.	REF.	€	CODE	DESCRIPTION	REF.	€
93704610	AIR CAP SET (E2P)	ø 0.8/1.0/1.3/1.5	1	98,40	03584530	FLUID NIPPLE G 1/4" - 1/4"	5-2	19,50
93706610P	NOZZLE + NEEDLE SET	ø 0.8		97,40	93842531	PATTERN ADJUSTMENT SET	6	43,40
93691610P	NOZZLE + NEEDLE SET	ø 1.0	2-1	97,40	96612024	STOPPER	6-1	1,50
93666610P	NOZZLE + NEEDLE SET	ø 1.3	2-2	97,40	96363035	WASHER	6-2	0,70
93698610P	NOZZLE + NEEDLE SET	ø 1.5		97,40	03502540	BACK RING	6-3	2,90
93696610	AIR CAP SET (H2)	ø 1.3/1.5	1	99,10	03843530	AIR VALVE SEAT SET	7	28,00
93700610	AIR CAP SET (N1)	ø 1.8		104,90	06638008	'O' RING	7-1	2,90
93666610P	NOZZLE + NEEDLE SET	ø 1.3	2-1	97,40	03591530	AIR VALVE	8	19,30
93698610P	NOZZLE + NEEDLE SET	ø 1.5	2-2	97,40	03719530	AIR VALVE SPRING	9	8,20
93702610	NOZZLE + NEEDLE SET	ø 1.8		97,40	93844532	FLUID ADJUSTMENT GUIDE SET	10	42,50
93689610	AIR CAP SET (E1)	ø 1.0		99,10	03593530	FLUID NEEDLE SPRING	11	8,20
93700610	AIR CAP SET (N1)	ø 1.8	1	104,90	93594532	FLUID ADJUSTMENT KNOB	12	16,90
93696610	AIR CAP SET (H2)	ø 1.3/1.5		99,10	93935430	AIR VALVE SHAFT	13	15,20
93691610P	NOZZLE + NEEDLE SET	ø 1.0		97,40	93845531	AIR ADJ. SET	14	42,50
93666610P	NOZZLE + NEEDLE SET	ø 1.3	2-1	97,40	03667360	TRIGGER STUD	15	4,60
93698610P	NOZZLE + NEEDLE SET	ø 1.5	2-2	97,40	03597530	TRIGGER	16	18,20
93702610	NOZZLE + NEEDLE SET	ø 1.8		97,40	03912030	E STOPPER (2 pcs./1 pk.)	17	4,50
93504700	SPECIAL NEEDLE with TIP in Delrin	ø 0.8/1.0	2-2	119,50	14018186F	PC 52 AG SIDE GRAVITY CUP 200 ml (in resin)		38,40
W-200-X17-1	NEEDLE TIP in Delrin	ø 0.8/1.0		20,70	14018080	PC 4S SIDE GRAVITY CUP 400 ml		61,20
93505700	SPECIAL NEEDLE with TIP in Delrin	ø 1.3/1.5	2-2	119,50	14018641	PCL 7B 2 SUCTION CONTAINER 700 ml		71,40
93608600	NEEDLE TIP in Delrin	ø 1.3/1.5		21,00	03576530	AIR CAP "L" PACKING (BLACK)		4,90
93765610	NEEDLE PACKING SET		4	20,80	W2COM6190	REPAIRING KIT 2 (includes: air valve seat set, air valve, air valve spring, fluid needle spring, air valve shaft, fluid adj. guide set, trigger stud, e-stopper, needle packing cartridge).		107,50
03660300	AIR NIPPLE		5-1	11,10				



# MSG-2000 B MULTI SPRAY SERIE



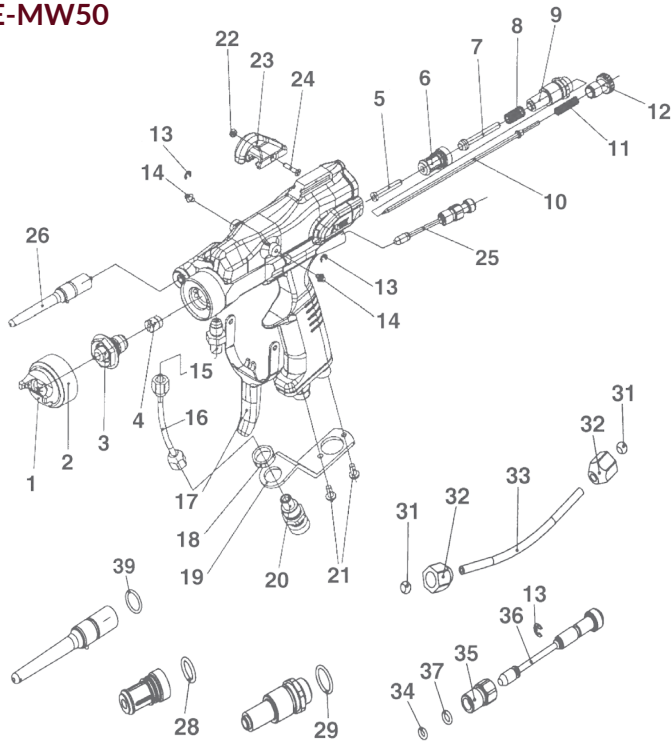
CODE	DESCRIPTION	REF.	€	CODE	DESCRIPTION	REF.	€
93528230	AIR CAP SET	1	344,20	93526230	FLUID NEEDLE SPRING	13	4,20
93535230	NOZZLE NEEDLE SET	2	202,10	93840601	PATTERN ADJ. SET	15	46,10
96639015	'O' RING	2-1	11,20	93527230	TRIGGER	16	34,10
96639518	'O' RING	2-4	5,10	03667360	TRIGGER STUD	17	4,60
93522230	FLUID NIPPLE	3-2	31,60	03912030	E STOPPER (2 pcs./1 pk.)	18	4,50
93524230	STAY	3-3	97,00	93528240	FLUID PIPE SET	20	115,90
03660300	AIR NIPPLE	3-4	11,10	93514240	JAM NUT	21	12,20
96365060	BOLT	3-5	2,30	93512230	FILTER SET	22	205,50
93818220	FLUID NEEDLE PACKING SET	4	32,40	93514230	FILTER CASE	22-1	66,30
06470358	WASHER	4-1	1,00	03860230	FILTER SET 200 MESH	22-2	54,30
03067951	PACKING HOLDER	4-3	8,20	93515230	FILTER JOINT	22-3	74,60
03507220	FLUID NEEDLE PACKING SEAT	5	19,00	93516230	FILTER NUT	22-4	23,40
03508220	AIR VALVE BAR	6	59,60	93526240	TRIGGER STOPPER SET	23	37,20
03843530	AIR VALVE SEAT SET	7	28,00	93518240	WASHER	24	2,80
03591530	AIR VALVE	8	19,30	96383054	HEXAGON NUT	25	1,10
03719530	AIR VALVE SPRING	9	8,20	93515240	KNOB	26	22,40
93844532	FLUID ADJ. GUIDE SET	10	42,50	93516240	SPRING HOLDER	27	22,40

# E-MW50 & E-MW100 ELECTROSTATIC SERIES

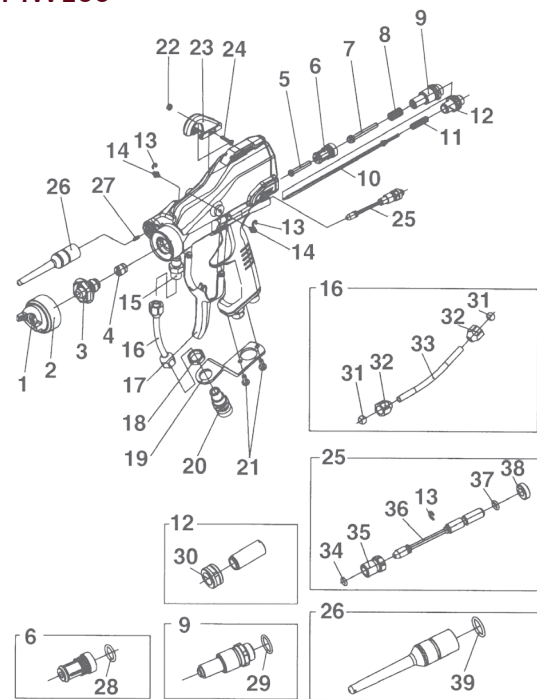


SUPERSEDED PRODUCTS

## E-MW50



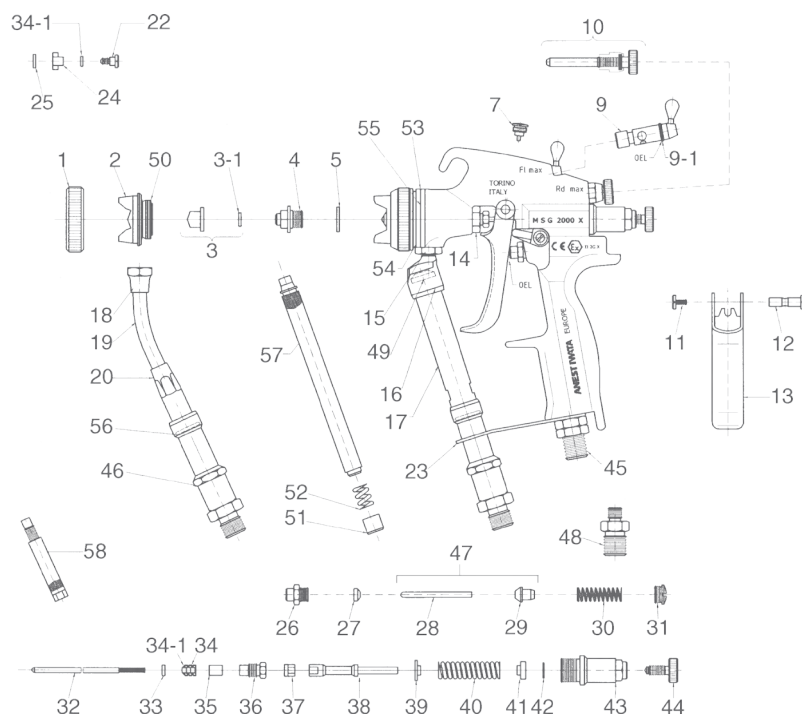
## E-MW100



CODE	DESCRIPTION	E-MW 50	E-MW 100	REF.	€	CODE	DESCRIPTION	E-MW 50	E-MW 100	REF.	€
93569090	AIR CAP C5	X	X	1	183,00	96360042	SCREW	X		21	1,00
93675040	CAP COVER	X	X	2	57,90	96071003	NUT	X	X	22	3,70
93562090	FLUID NOZZLE (2) ø 1.1 chamfered tip nozzle for C5	X	X	3	281,00	93533090	GUN HOOK	X	X	23	76,30
93801080	NEEDLE PK SET	X	X	4	93,90	96074003	SCREW	X	X	24	4,00
93551090	AIR VALVE SHAFT	X	X	5	116,80	93539090	PATTERN ADJ. SET	X	X	25	426,50
03843530	AIR VALVE SEAT SET	X	X	6	22,20	93536090	LOCKABLE PATTERN ADJ. SET	X	X		282,70
93550090	AIR VALVE	X	X	7	34,60	93696070	ELECTRODE BAR SET 30 S 30mm electrode	X		26	118,70
03719530	AIR VALVE SPRING	X	X	8	8,20	93699050	ELECTRODE BAR SET 30 L 30mm L type electrode	X		26	118,70
93559090	FLUID ADJ. GUIDE SET	X	X	9	95,40	93706010	ELECTRODE BAR SET 50 L 50mm L type electrode		X	26	118,70
93502090	FLUID NEEDLE	X	X	10	135,10	93705010	ELECTRODE BAR SET 70 70mm electrode		X	26	118,70
03593530	NEEDLE SPRING	X	X	11	8,20	93531090	TERMINAL SPRING		X	27	4,80
93594532	FLUID ADJ. KNOB	X	X	12	16,90	06638008	'O' RING	X	X	28	2,00
03912030	STOPPER (2 pcs./1 pk.)	X	X	13	4,50	96997020	'O' RING	X	X	29	8,80
93532090	TRIGGER STUD	X	X	14	47,50	96876106	SLEEVE for ø6 fluid tube	X	X	31	4,00
93683050	FLUID JOINT for ø 6 fluid tube ø 4.0 orifice	X	X	15	35,30	96876520	JOINT NUT for ø6 fluid tube	X	X	32	4,70
93557090	FLUID TUBE SET ø 6 x ø 4	X	X	16	54,90	06997012	'O' RING	X	X	34	4,40
93604080	FLUID TUBE SET ø 4 x ø 2	X	X	16	60,60	06995986	'O' RING	X	X	37	1,80
03680040	TRIGGER	X	X	17	127,60	96995948	'O' RING	X		39	78,00
03687000	NUT	X	X	18	32,80	96639714	'O' RING		X	39	78,00
93553090	L STAY	X	X	19	91,40	93531090	TERMINAL SPRING	X		40	4,80
93680050	FLUID NIPPLE 3/8" M for ø6 fluid tube	X	X	20	78,30	14211870	LOW VOLTAGE CABLE 10 m	X	X		806,00



# MSG-2000X MULTI SPRAY SERIE



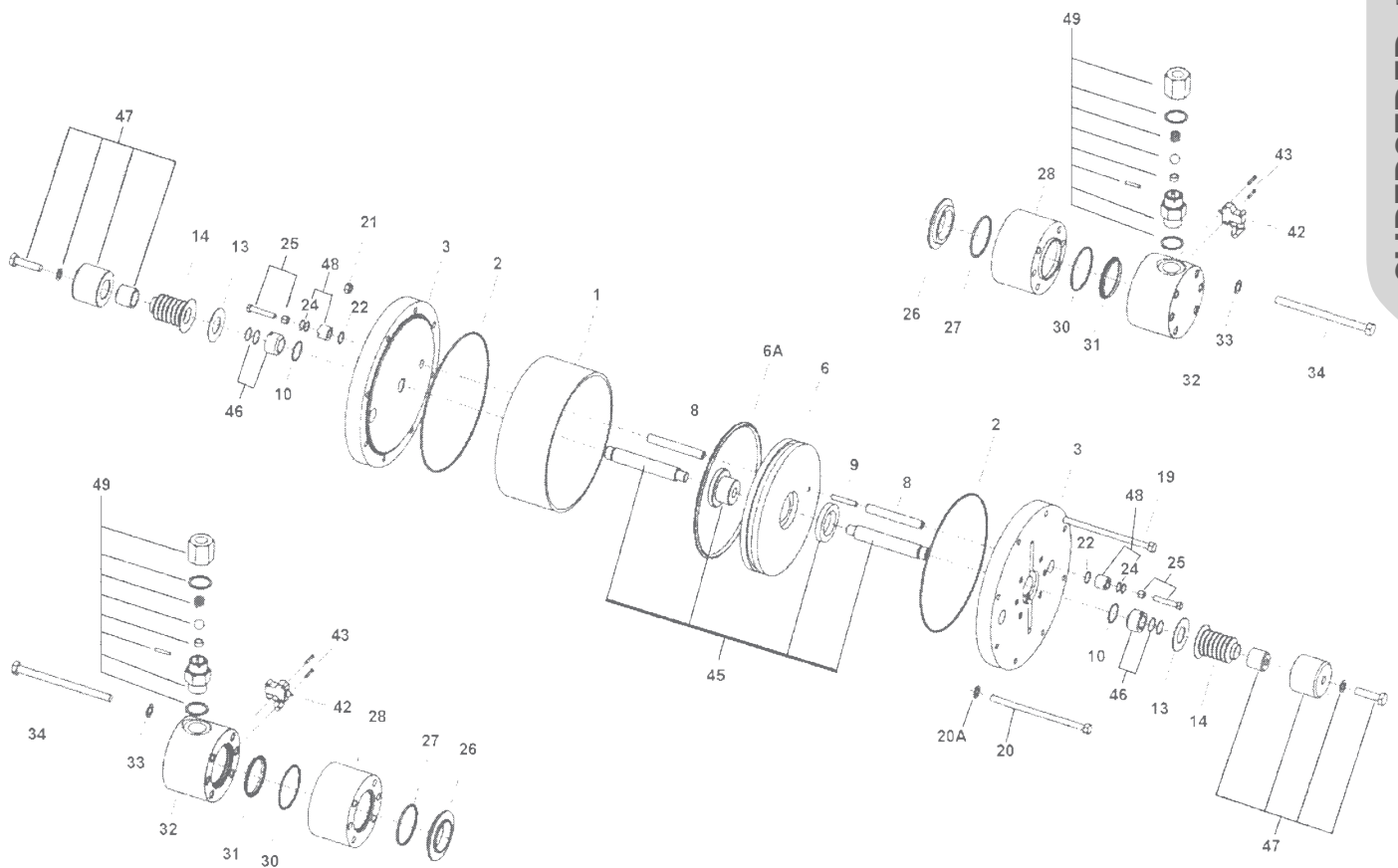
CODE	DESCRIPTION	REF.	€	CODE	DESCRIPTION	REF.	€
B2124006	LOCK NUT	1	16,50	B2124810	NEEDLE PACKING SET	34	3,70
B21240U2	AIR CAP SET	2	239,30	B21040020	'O' RING 4 X 1,2	34-1	3,70
B2119624	NOZZLE PACKING (NOT INCLUDED)	3-1	3,00	B2124811	DISTANCE GLAND	35	4,60
B21248U5	NOZZLE HOLDER	4	98,70	B2124812	NEEDLE PACKING GLAND	36	16,20
B2124025	PACKING RING ALUMINIUM	5	1,00	B2124813	NEEDLE CARRIER	37	6,90
B2124816	LOCKING SCREW	7	9,50	B2124814	NEEDLE END	38	17,60
B21248U6	AIR REGULATION	9	92,80	B2123513	COMPRESSION SPRING DISK	39	19,60
B21040019	'O' RING 7.0 x 1.0	9-1	4,60	B2124829	SPRING	40	6,60
B21240U5	PATTERN ADJ.	10	95,40	B2123514	COMPRESSION SPRING DISK	41	15,70
B2124833	SCREW	11	2,50	B2123607	SEALING RING	42	2,50
B2124817	TRIGGER STUD	12	9,30	B212407	NEEDLE SPRING SEAT	43	30,80
B21248U4	TRIGGER	13	65,00	B212365	NEEDLE ADJ.	44	17,80
B212409	TIGHTENING NUT	14	22,80	B21133U11	SWIVEL AIR CONNECTION	45	60,70
B2124834	HEXAGON NUT	15	3,00	B21248U7	SWIVEL MATERIAL CONNECTION	46	200,80
B2124826	PAINT TUBE CONNECTION	16	93,40	B21136U14	AIR VALVE SET	47	11,20
B2124840	PAINT TUBE	17	69,10	B2124836	DOUBLE NIPPLE	48	27,80
B2124818	JAM NUT	18	16,50	B2123349	SEALING	49	3,90
B2124819	UPPER PAINT TUBE	19	33,90	B212339	SEALING RING	50	5,20
B2124841	LOWER PAINT TUBE	20	48,40	B2124839	COVER	51	5,20
B2123328	SCREW	22	14,95	B2124843	COMPRESSION SPRING	52	4,30
B2124828	HOLDER	23	10,60	B2124063	PACKING	53	4,20
B212373	SAFETY LEVER	24	27,10	B212483	CONNECTION PIECE	54	195,50
B2123326	WASHER	25	3,50	B21040018	'O' RING 3,5x1,0	55	2,50
B2124832	AIR VALVE PACKING SEAT	26	11,00	B21040022	'O' RING 12x1,5	56	3,40
B2113342	AIR VALVE PACKING IN PTFE	27	2,70	VFM2004	PAINT FILTER 100 Mesh (long) (standard)	57	2,00
B2113621	AIR VALVE SHAFT	28	6,40	VFM2001	PAINT FILTER 30 Mesh (long)	57	2,00
B2123017	AIR VALVE	29	7,20	VFM2002	PAINT FILTER 50 Mesh (long)	57	2,00
B2113620	AIR VALVE SPRING	30	4,40	VFM2006	PAINT FILTER 200 Mesh (long)	57	2,00
B2113610	LOCKING SCREW M10x1	31	7,20	VFM2103	PAINT FILTER 150 Mesh (short) (standard)	58	2,30
B21248U3	NEEDLE COMPLETE	32	75,50	VFM2102	PAINT FILTER 80 Mesh (short)	58	2,20
B212489	SEAL WASHER	33	4,40	VFM2104	PAINT FILTER 295 Mesh (short)	58	3,50



# MSU-B303 & MSU-B193 MULTI SPRAY SERIE



SUPERSEDED PRODUCTS



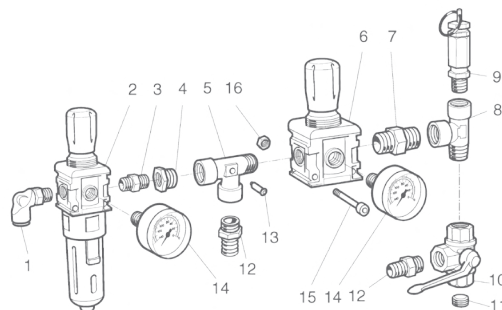
CODE	DESCRIPTION	MSU-B303	MSU-B193		€
A00237-K250	PNEUMATIC KIT 250	X		2-6A-10-46-24-22	139,30
A00237-02	SET 'O' RING (flange)	X		2	32,80
A00238-02	SET 'O' RING (flange)		X	2	22,80
A00237-10	SET 'O' RING (shaft guide bush seal)	X	X	10	6,80
UL300800	WASHER	X	X	20A	0,30
UL300701	HEXAGON NUT	X	X	21	1,00
A00237-22	SET O-RING (Rod guide bush seal)	X	X	22	2,40
A00237-26	BELLOWS FLANGE	X	X	26	120,50
A00237-27	SET O-RING (intermediate body)	X	X	27	10,70
A00237-30	SET O-RING (pump body)	X	X	30	12,00
A00237-31	LIP PACKING SET	X	X	31	137,00
A00237-42	LIMIT SWITCH	X	X	42	87,10
A00237-43	FILLISTER HEAD SCREW M4x25	X	X	43	0,80
A00237-46	BUSH SET	X	X	46	75,00
A00237-49	OUTLET VALVE SET	X	X	49	548,70



# MSU-B303 & MSU-B193 ACCESSORIES

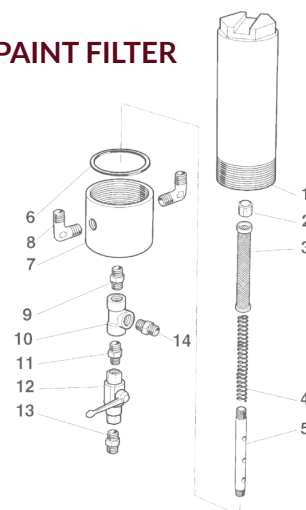
CODE	DESCRIPTION		REF.	€
<b>AIR REGULATOR SET</b>				
UL300309	"L" QUICK COUPLING 1/4" M		1	7,60
9UI00070101	AIR REGULATOR + FILTER G 1/4"		2	118,40
UL300101	NIPPLE 1/4" MM		3	4,50
A00183	SPECIAL T JOINT		5	9,00
UL30032200	"T"JOINT		8	9,70
02004003	PRESSURE GAUGE	(Optional)	14	29,30
UL30061900	HEXAGON SOCKET BOLT	(Optional)	15	0,90
UL30070600	HEXAGON NUT		16	1,00

## AIR REGULATOR



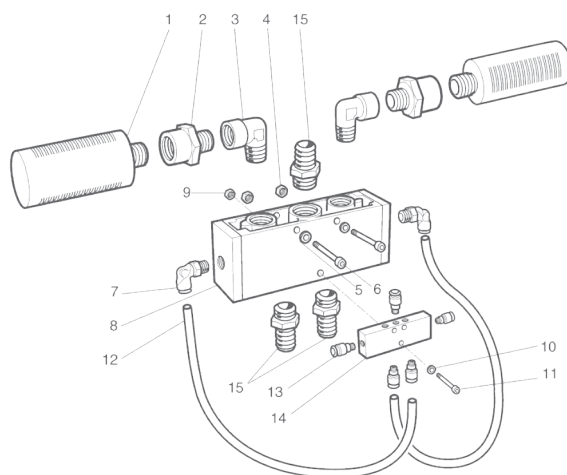
<b>TF-10 N DELIVERY PAINT FILTER SET</b>				
A00157	CYLINDER		1	510,00
VFM2503	FILTER 100 Mesh		3	4,60
A00160	FILTER SPRING		4	54,90
Z00045	HOSE ELBOW		8	36,30
06641103	"T" JOINT FFF"		10	46,70
UL300453	NIPPLE	R 1/4" M- R 3/8" M	11	24,70
UL30090100	DRAIN VALVE	G 1/4" FF	12	158,00
UL300302	HOSE JOINT	R 1/4" M - M 8X6	13	2,70
UL30046300	FLUID OUTPUT JOINT	M 3/8"- G 1/4" M	14	30,30

## DELIVERY PAINT FILTER



<b>AIR OPERATING VALVE SET</b>				
04411906E00	SILENCER		1	29,10
UL300702	HEX. NUT		4	0,70
A00167	AIR OPERATING VALVE		8	363,50
0010002700	AIR HOSE		12	2,90

## AIR OPERATING VALVE



# MULTI SPRAY TIPS



## MULTI SPRAY TIPS MSG-200B

CODE	DESCRIPTION	ANGLE °	Ø ORIFICE		PATTERN WIDTH	FLOW RATE	€
			mm	inch			
14216520	MST-0740TR	40°	0,18	0,007"	140-180	0,20	126,30
14216600	MST-1165TR	65°	0,28	0,011"	220-260	0,34	126,30
14216640	MST-1365TR	65°	0,33	0,013"	220-260	0,52	126,30

## MULTI SPRAY TIPS MSG-200 | MSA-200

CODE	DESCRIPTION	ANGLE °	Ø ORIFICE		PATTERN WIDTH	FLOW RATE	€
			mm	inch			
14076042	NT 2503 CMU	55°	0,33	0,013"	230-280	0,45	285,20
14076052	NT 2504 CMU	55°	0,36	0,015"	230-280	0,60	285,20
04591460	NOZZLE PACKING CMU						7,30

## MULTI SPRAY TIPS MSA-2010 | MSG-2000X

CODE	DESCRIPTION	ANGLE °	Ø ORIFICE		PATTERN WIDTH	€
			mm	inch		
B2000218	TIP 218	20°	0,18	0,007"	100-125	122,00
B2000618	TIP 618	60°	0,18	0,007"	300-350	122,00
B2000423	TIP 423	40°	0,23	0,009"	200-250	122,00
B2000523	TIP 523	50°	0,23	0,009"	250-300	122,00
B2000228	TIP 228	20°	0,28	0,011"	100-125	122,00
B2000428	TIP 428	40°	0,28	0,011"	200-250	122,00
B2000528	TIP 528	50°	0,28	0,011"	250-300	122,00
B2000233	TIP 233	20°	0,33	0,013"	100-125	122,00
B2000533	TIP 533	50°	0,33	0,013"	250-300	122,00
B2000633	TIP 633	60°	0,33	0,013"	300-350	122,00
B2000238	TIP 238	20°	0,38	0,013"	100-125	122,00
B2000438	TIP 438	40°	0,38	0,015"	200-250	122,00
B2000538	TIP 538	50°	0,38	0,015"	250-300	122,00
B2000443	TIP 443	40°	0,43	0,017"	200-250	122,00
B2000643	TIP 643	60°	0,43	0,017"	300-350	122,00
B2001240U12	NOZZLE CLEANING SET					73,30



# SALES CONDITIONS

# THIS PRICE LIST IS VALID FROM 01/01/2023

All mentioned prices are ex-works in Cardano al Campo. Transportation or delivery charges are not included in the shown price. Terms and Conditions apply. All prices are recommended retail prices: VAT is not included. For invoices below 50 € (NET), no discount is applied.

## PRICING

For complaints please contact us:  
e-mail: [info@anest-iwata-st.com](mailto:info@anest-iwata-st.com)  
telephone: +39 0331 73 31 20

## COMPLAINTS

Goods exchange and returns must be notified to Anest Iwata in advance (before shipment). These, will be accepted only and exclusively if Anest Iwata has given the approval.

The returned goods must be unused, in perfect conditions, undamaged and with the original packaging. Used goods are generally not accepted.

## GOODS EXCHANGE RETURNS

Anest Iwata is not responsible for errors or omissions contained in its price lists or promotional material. All prices/items/designs are subjected to changes without previous notice.



ANEST IWATA Italia S.r.l.  
Chieri (TO) - ITALIA  
info@anest-iwata-it.com  
www.anest-iwata-coating.com

ANEST IWATA Deutschland GmbH  
Leipzig - GERMANIA  
info@anest-iwata-de.com  
www.anest-iwata-coating.com

ANEST IWATA France S.A.  
Saint Quentin Fallavier, Lyon - FRANCIA  
info@anest-iwata-fr.com  
www.anest-iwata-coating.com

ANEST IWATA U.K. Ltd.  
St. Neots Cambridgeshire - INGHILTERRA  
info@anest-iwata-uk.com  
www.anest-iwata-coating.com

ANEST IWATA Iberica S.L.U.  
Saint Adrià del Besos - BARCELONA - SPAGNA  
info@anest-iwata-ib.com  
www.anest-iwata-coating.com

ANEST IWATA Scandinavia AB.  
Partille, Göteborg - SVEZIA  
info@anest-iwata-se.com  
www.anest-iwata-coating.com

ANEST IWATA Polska Sp. Z o.o.  
Jasin / Swarzędz - POLONIA  
info@anest-iwata-pl.com  
www.anest-iwata-coating.com

ANEST IWATA Motherson Coating Equipment Ltd.  
Noida - INDIA  
sales@aim.motherson.com  
www.motherson.com/anest-iwata-motherson.html

ANEST IWATA Taiwan Corporation  
Hu-Kuo - TAIWAN R.O.C.  
service@anestiwata.com.tw  
www.anestiwata.com.tw

PT. ANEST IWATA Indonesia  
Jakarta - INDONESIA  
www.anest-iwatasoutheastasia.com

**NORD AMERICA**  
ANEST IWATA USA Inc.  
West Chester - Ohio - STATI UNITI  
inquiry@anestiwata.com - www.anestiwata.com

**SUD AMERICA**  
AIRZAP-ANEST IWATA INDÚSTRIA COMÉRCIO Ltda.  
Sao Paulo - BRASILE  
contato@anest-iwata.net.br - www.anest-iwata.net.br

**RUSSIA**  
ANEST IWATA Russia LLC  
Moscow - RUSSIA  
tam@anestiwata.ru - www.anestiwata.ru

**AUSTRALIA**  
ANEST IWATA Australia Pty Ltd.  
Sidney - AUSTRALIA  
info@anest-iwata.com.au - www.anest-iwata.com.au

**SUD AFRICA**  
ANEST IWATA South Africa Pty Ltd.  
Johannesburg - REPUBBLICA DEL SUDAFRICA  
www.anest-iwata.co.za

**ASIA**  
ANEST IWATA Coating Solutions Corporation  
Yokohama - GIAPPONE  
www.anest-iwata.co.jp

ANEST IWATA KOREA Corporation  
Ansan City - COREA  
inquiry@aikr.co.kr  
www.aikr.co.kr

ANEST IWATA Shanghai Corporation  
Shanghai - CINA  
customer@anest-iwata-sh.com  
www.anest-iwata-sh.com

ANEST IWATA Vietnam CO. Ltd.  
Ho Chi Minh City - VIETNAM  
info@anest-iwata.vn  
www.anest-iwatasoutheastasia.com

ANEST IWATA Southeast Asia CO. Ltd.  
Bangkok - THAILANDIA  
info@anest-iwata.co.th  
www.anest-iwatasoutheastasia.com

**SEDI CENTRALI**  
ANEST IWATA Corporation  
Yokohama - GIAPPONE  
www.anest-iwata.co.jp

ANEST IWATA Strategic Center S.r.l.  
Cardano al Campo (VA) - ITALIA  
info@anest-iwata-st.com  
www.anest-iwata-coating.com

# 2023 PRICE LIST

SPRAY GUNS & ACCESSORIES FOR  
GENERAL INDUSTRY

Edition October 2022