



2023 PRICE LIST

WS400 LS400 SR2

SPRAY GUNS & ACCESSORIES FOR
CAR REFINISH



PROFESSIONAL COATING EQUIPMENT SPECIALIST



PASSION FOR PAINTING

We are passionate about painting and eager about creating; for this, we design spray guns which help you to cross any boundary.

YOUR CUSTOMERS, OUR MISSION.



GROUP

Anest Iwata boasts more than 95 years of experience in the coating industry, combining the most sophisticated traditional Japanese craftsmanship with the continuous pursuit of cutting-edge technology.

PASSION & PERFORMANCE

As a global group we aim to deliver the most technically advanced spraying equipment on the market. When designing our products we think about highly professional and creative individual who have passion for painting and are looking for the greatest performance. With this in mind we always try to reach for the highest standards of sophistication, creativity and technical realization.

A WIDE RANGE

Our range of products varies from several spray guns lines, pumps and painting accessories, projected ad hoc for different paint application and to satisfy the customer in his research for the best solution.

CUSTOMER ORIENTED

The automotive refinish, together with the industrial and the wood sector are only few of the areas in which the Anest Iwata experience has found its appreciation between the users, not only for the excellence of our tools, but also for the attentive service our customers can count on. Anest Iwata effort in providing the best results in performance is also conceived for the optimization of the resources and materials in the optic of begin environmental-friendly.



AUTOMOTIVE REFINISH

GETTING INTO SOLUTIONS

The automotive refinish is one of our most demanding fields in terms of surface quality considering colour reproduction, smoothness and layer thickness, our tools are designed to help you get the most faithful reproduction of the original colour.

FIND THE BEST TOOLS

Anest Iwata in collaboration with painting companies aims to provide the best tools to achieve a great performance in terms of functionality and also painting experience.





INDEX

1. MANUAL SPRAY GUN

CLEARCOAT

PREMIUM QUALITY

WS-400 SERIES 2 CLEAR - DIGITAL.....8
 WS-400 SERIES 2 CLEAR - STANDARD...10

HIGH QUALITY

W-400 WBX CLASSIC PLUS.....12

BASECOAT

PREMIUM QUALITY

WS-400 SERIES 2 BASE - DIGITAL.....14
 WS-400 SERIES 2 BASE - STANDARD....16
 LS-400 SERIES 2 BASE - DIGITAL.....18
 LS-400 SERIES 2 BASE - STANDARD.....20

WS/LS SERIES 2 SUPERIOR SET
 COMBINATION CHART.....22

HIGH QUALITY

W-400 WB2 CLASSIC PLUS.....24

PRIMER

PREMIUM QUALITY

LPH 300 (LVLP).....26

HIGH QUALITY

W-400 BELLARIA CLASSIC PLUS.....28

STANDARD QUALITY

AZ3 HTE-S IMPACT.....30

SPRAY PUTTY

STANDARD QUALITY

AZ3 HTE2 HVLP.....32
 AZ3 HTE P.A.S. CONCEPT.....34

SMART REPAIR

PREMIUM QUALITY

W-300 WB.....36

STANDARD QUALITY

W-300.....38

PREMIUM QUALITY

W-300 WB UV CURED PAINTS.....40

STANDARD QUALITY

AZ4 HTE-S IMPACT JUNIOR.....42

SPOT REPAIR

PREMIUM QUALITY

LPH-80 (LVLP).....44

CUSTOM PAINTING

HIGH QUALITY

RG-3L ROUND PATTERN.....46

AIRBRUSHE SERIES.....48

2. PRESSURE SPRAY GUN

COMMERCIAL VEHICLE APPLICATION

PREMIUM QUALITY

WS-200 SERIES.....50

HIGH QUALITY

W-200 INTEGRA SERIES.....54

UNIVERSAL

HIGH QUALITY

W-400 CLASSIC PLUS.....62

STANDARD QUALITY

AZ3 HTE 2.....64

3. PAINT SUPPLY SYSTEM

DOUBLE DIAPHRAGM PAINT PUMPS

DPS-120C SERIES | DPS-90G SERIES.....68

PAINT PRESSURE TANKS

PET-SERIES (10, 30, 50 LT.) (7.0 BAR).....72

PET-10 (10 LT) (4.0 BAR).....74

PC-18D (2LT) (3.5 BAR).....75

4. CUPS, FILTERS AND ADAPTERS

GRAVITY CUPS.....78

PAINT FILTERS & 3M ADAPTERS.....79

ALUMINIUM GRAVITY CUPS/

UNDER GUN FILTERS.....80

BLACK "UV" CUPS /

SUCTION CUPS.....81

5. GENERAL ACCESSORIES

ANEST IWATA OVERALL /

VISIONSHIELD SERIES (GOGGLES &

GLASSES).....84

AIRFED 2020 FULL FACE MASK/

VIPERHALFFACEGUARDMASK.....85

6. CLEANING AND MAINTENANCE

SPRAY GUN CLEANING APPLICATORS

PCA 12.0/HCA12.0.....88

CLEANING AND MAINTENANCE TOOLS

BRUSHES/SPANNER/GREASE/AIR

DUSTER GUN.....89

SPRAY GUN WASHERS

KUIK MINI GUN WASHER.....90

IWK-H2O GUN WASHER.....91

INOX LINE SOL (SLD).....92

INOXLINESOL(SLD+ILD).....92

INOX LINE IWK SLB & IWK SLC.....92

SPRAY GUN SUPPORTS

MAGNETIC SUPPORTS & GRAVITY GUN
 HOLDERS.....94

SPRAY CONTROL

MAGNETIC SPRAY TESTER.....95

AIR FILTERING

AIR FILTER REGULATORS 1/2".....96

AIR SUPPLY

CONDUCTIVE AIR/FLUID

HOSES & COUPLINGS.....97

PRESSURE SETTING

AIR PRESSURE REGULATORS

HVC/AFV-2 / AFV-1/

IMPACT CONTROLLER 2.....98

7. DRYING SYSTEM

INFRARED UNITS

(SERIES 1 KW-3 KW-4,5 KW-6 KW).....100

ADG-1B AQUADRY PAINT DRYER.....102

AI JET AIR NOOZLE DRYER.....102

DEMO TOOLS

DEMO TROLLEY.....103

OTHER ACCESSORIES

AZ PVA TN UNDERCOAT GUN.....103

8. SUPERSEDED PRODUCTS

W-200 SERIES.....106

AZ5 / AZ40 HTE.....107

9. GENERAL INFORMATION

SALES CONDITIONS.....108

ICONS LEGEND



NOZZLE SIZE



AIR CAP SET



AIR PRESSURE



FLUID OUTPUT






















AIR CONSUMPTION



PATTERN WIDTH

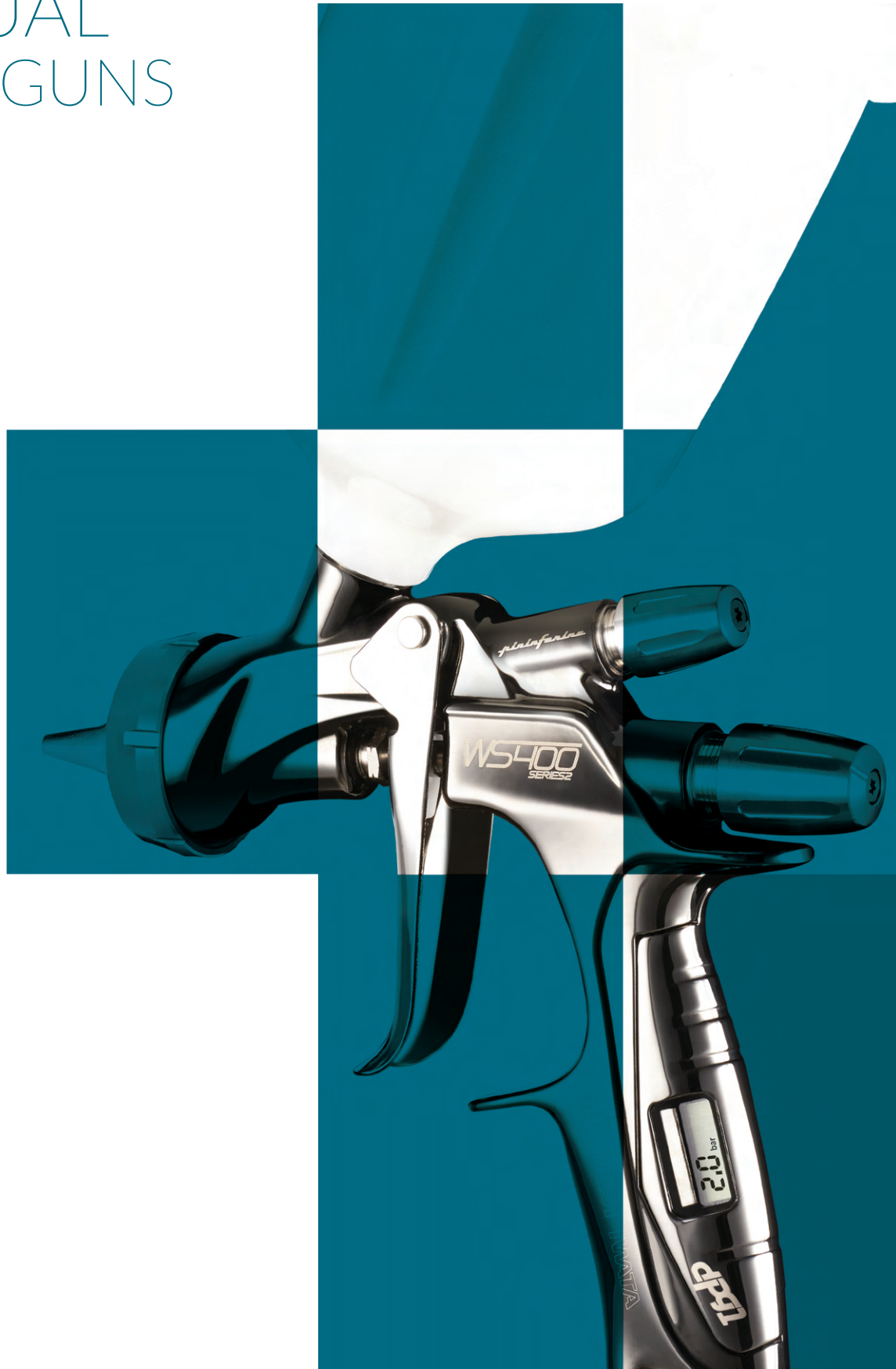


APPLICATION CHART

	PREMIUM		HIGH		STANDARD	
	GRAVITY	PRESSURE	GRAVITY	PRESSURE	GRAVITY	GRAVITY
CLEARCOAT	 WS-400 SR2 CLEAR P. 8	 WS-200 SP P. 42	 W-400 WBX P. 10	 W-200 INTEGRA P. 46		
BASECOAT	 WS-400 SR2 BASE P. 12 LS-400 SR2 BASE P. 18	 WS-200 SP P. 42	 W-400 WB2 P. 16	 W-200 INTEGRA P. 46		
PRIMER	 LPH-300 (LVLP) P. 18	 WS-200 SP P. 42	 W-400 BELLARIA P. 20	 W-200 INTEGRA P. 46	 AZ3 HTE-S IMPACT P. 22	
SPRAY PUTTY					 AZ3 HTE2 HVLP P. 24	 AZ3 HTE P.A.S. CONCEPT P. 26
SPOT REPAIR	 LPH-80 P. 36				 AZ4 HTE-S JUNIOR P. 34	
SMART REPAIR	 W-300 WB P. 28 W-300 WB UV P. 32					
CUSTOM PAINTING			 RG-3L P. 38			

1

MANUAL
SPRAY GUNS



WS-400 SERIES2 CLEAR - DIGITAL

FEATURES

- 
 Split Nozzle™ 2.0
Compliant Clear
- 
 Designed by
Pininfarina
- 
 Lower
Noise Level
- 
 DPG-1
Digital Pressure Gauge
- 
 Optimized
Setting

- The Anest Iwata WS-400 Series 2 CLEAR Superior range is perfectly placed for the application of clearcoats.
- Optimize setups available which cover a wide range application requirements, and variety of options available for different styles and speeds.
- Integrated quick detachable compact DPG-1 digital manometer system.
- Special black chrome body



TECHNICAL DATA

• HD (High Delivery) • Air Nipple: G1/4" • Fluid Nipple: G1/4"

setup	type	application speed	model name - digital	cap	bar*	NL/min	mm**
HD SETUP	1.2 HD	CONTROL	WS-400-SR2D-12HD	WS-400-03	2.0	370	245
	1.3 HD	STANDARD	WS-400-SR2D-13HD				250
	1.4 HD	SPEED	WS-400-SR2D-14HD				255
	1.5 HD	HIGH SPEED	WS-400-SR2D-15HD				260

*Suggested gun inlet pressure during spraying. **Fan width at a Spray distance of 150 mm.

ORDER INFORMATION

	HD SET UP				€
	1.2 HD	1.3 HD	1.4 HD	1.5 HD	
WS-400 CLEAR DIGITAL					
PRO SET	130193A0	130194A0	130195A0	130196A0	810,00
SUPERIOR SET	Please refer to the table on page 22 to see the full range of available combinations and pricing.				
AIR CAP SET	93009030				123,10
FLUID NOZZLE & NEEDLE	93009140	93009060	93009160	93009180	137,00

SET OPTIONS & CONTENTS

★★★ SUPERIOR SET*



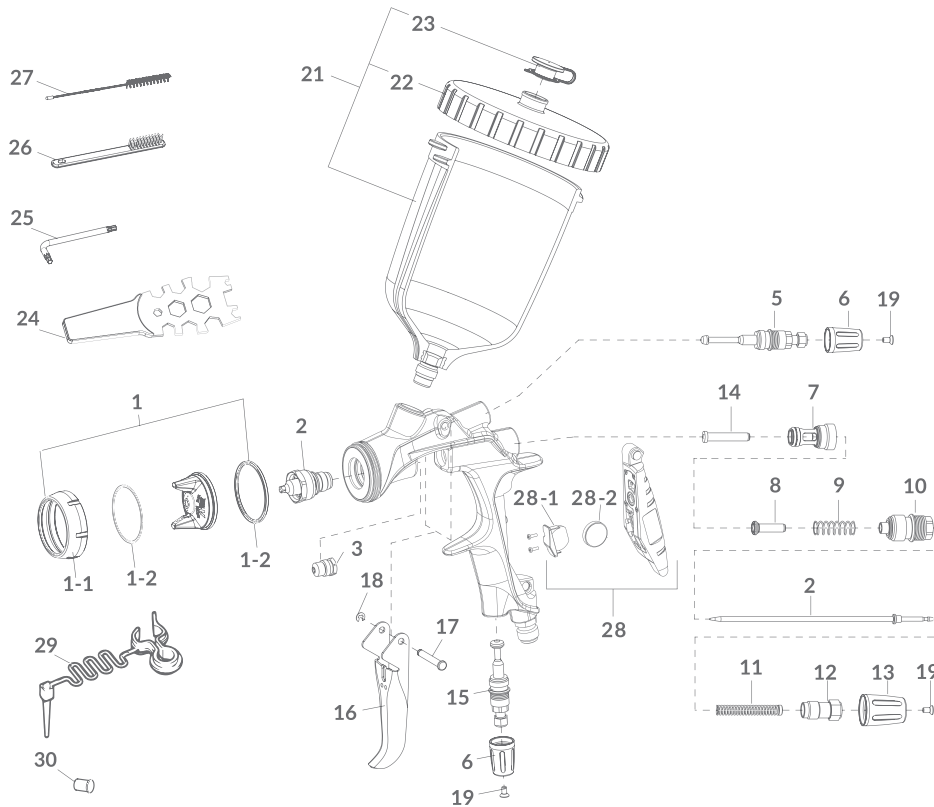
Two Series 2 Spray Guns - Two 600 ml Gravity Cup - Cleaning Brushes - Universal Spanner.
On Digital version: Trigger Clip/Pin Cap. On Non-Digital Version: HVC Air Pressure Regulator.
*Please refer to the table on page 22 to see the full range of available combinations.

★★ PRO SET



WS-400 Series 2 Clear Digital Spray Gun
600 ml Gravity Cup - DPG-1 Module - Cleaning Brushes
Universal Spanner - Trigger Clip/Pin Cap.

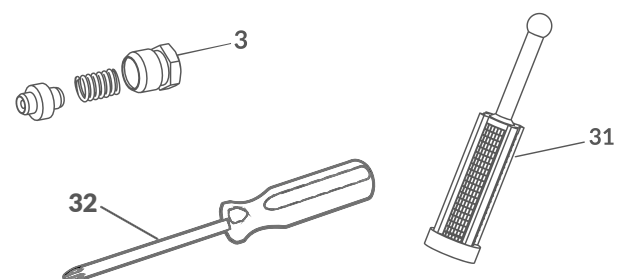
SPARE PARTS



REF.	CODE	DESCRIPTION	€	REF.	CODE	DESCRIPTION	€
1	see table on left page	AIR CAP SET	123,10	16	93008890	TRIGGER	33,20
1-1	93009050	AIR CAP RING CLEAR (Grey)	56,70	17	93505860	TRIGGER STUD	7,20
1-2	93018310	AIR CAP PACKING SET (2 pcs.)	15,00	18	96612025	E STOPPER	2,90
2	see table on left page	FLUID NOZZLE + FLUID NEEDLE SET	137,00	19	93512741	TORX SOCKET COUNTERSUNK HEAD SCREWS (3 pcs./1 pk.)	16,10
3	03810620	NEEDLE PACKING SET	32,30	21	14019100	PC-G600P-2 GRAVITY CUP	65,90
5	93008420	PATTERN ADJ. SET	53,50	22	94011220	LID	36,10
6	93009120	PATTERN ADJUSTMENT KNOB CLEAR (Grey)	23,50	23	94011230	NON DRIP	1,90
7	93001640	AIR VALVE SEAT SET	35,00	24	930171A0	UNIVERSAL SPANNER	8,80
8	93001690	AIR VALVE	23,90	25	03506480K	TORX ALLEN KEY WRENCH T10 (3 pcs.)	5,90
9	93001700	AIR VALVE SPRING	13,60	26	W2COM6163	BRUSHES (5 pcs.)	12,80
10	93008840	FLUID ADJ. GUIDE SET	38,50	27	W2COM6162	TWISTED BRUSH Ø 10 mm (5 pcs.)	15,20
11	93002820	FLUID NEEDLE SPRING SET	21,50	28	930113A0	DIGITAL PRESSURE GAUGE DPG-1 (Includes BATTERY HOLDER and BATTERY Spares)	205,40
12	93505823	FLUID ADJ. SCREW	18,70	28-1	930325A0	DPG-1 BATTERY HOLDER	7,00
13	93009130	FLUID ADJUSTMENT KNOB CLEAR (Grey)	23,50	28-2	930083A0	DPG-1 BATTERY	9,60
14	93001790	AIR VALVE SHAFT	20,90	29	930357A0	TRIGGER CLIP	6,40
15	93008872	AIR ADJUSTMENT SET	56,70	30	930366A0	PROTECTIVE PIN CAP (5 pcs.)	4,80
				32	960024A0	SCREWDRIVER	4,40

OPTION AND ACCESSORIES

REF.	CODE	DESCRIPTION	€
		REPAIRING KIT Includes: air valve seat set (7), air valve (8), air valve spring (9), fluid needle spring set (11), air valve shaft (14), fluid adj. guide set (10), trigger stud (17), e stopper (18), needle packing set (3).	112,40
-	W2KIT55UK	CLEANING KIT	77,10
3	93001410	SELF ADJUSTING NEEDLE PACKING (Opt.)	24,50
31	94011240	FILTER 60 Mesh (250µ)	2,80



WS-400 SERIES2 CLEAR

FEATURES



Split Nozzle™ 2.0
Compliant Clear



Designed by
Pininfarina



Lower
Noise Level



Optimized
Setting

- The Anest Iwata WS-400 Series 2 CLEAR Superior range is perfectly placed for the application of clearcoats.
- Optimize setups available which cover a wide range application requirements, a variety of options available for different styles and speeds.
- HVC inline manometer is recommended and available for accurate performance and colour reproduction.



TECHNICAL DATA

• HD (High Delivery) • Air Nipple: G1/4" • Fluid Nipple: G1/4"

setup	type	application speed	model name - non digital	cap	bar*	NL/min	mm**
HD SETUP	1.2 HD	CONTROL	WS-400-SR2-12HD	WS-400-03	2.0	370	245
	1.3 HD	STANDARD	WS-400-SR2-13HD				250
	1.4 HD	SPEED	WS-400-SR2-14HD				255
	1.5 HD	HIGH SPEED	WS-400-SR2-15HD				260

*Suggested gun inlet pressure during spraying. **Fan width at a Spray distance of 150 mm.

ORDER INFORMATION

	HD SET UP				€
	1.2 HD	1.3 HD	1.4 HD	1.5 HD	
WS-400 CLEAR					
PRO SET	130615A0	130616A0	130617A0	130618A0	710,00
ECO SET	130261A0	130262A0	130263A0	130264A0	650,00
SUPERIOR SET	Please refer to the table on page 22 to see the full range of available combinations and pricing.				
AIR CAP SET	93009030				123,10
FLUID NOZZLE & NEEDLE	93009140	93009060	93009160	93009180	137,10

SET OPTIONS & CONTENTS

★★★
SUPERIOR SET*



Two Series 2 Spray Guns - Two 600 ml Gravity Cup - Cleaning Brushes
Universal Spanner. On Digital version: Trigger Clip/Pin Cap.
On Non-Digital Version: HVC Air Pressure Regulator.

*Please refer to the table on page 22 to see the full range of available combinations.

★★
PRO SET



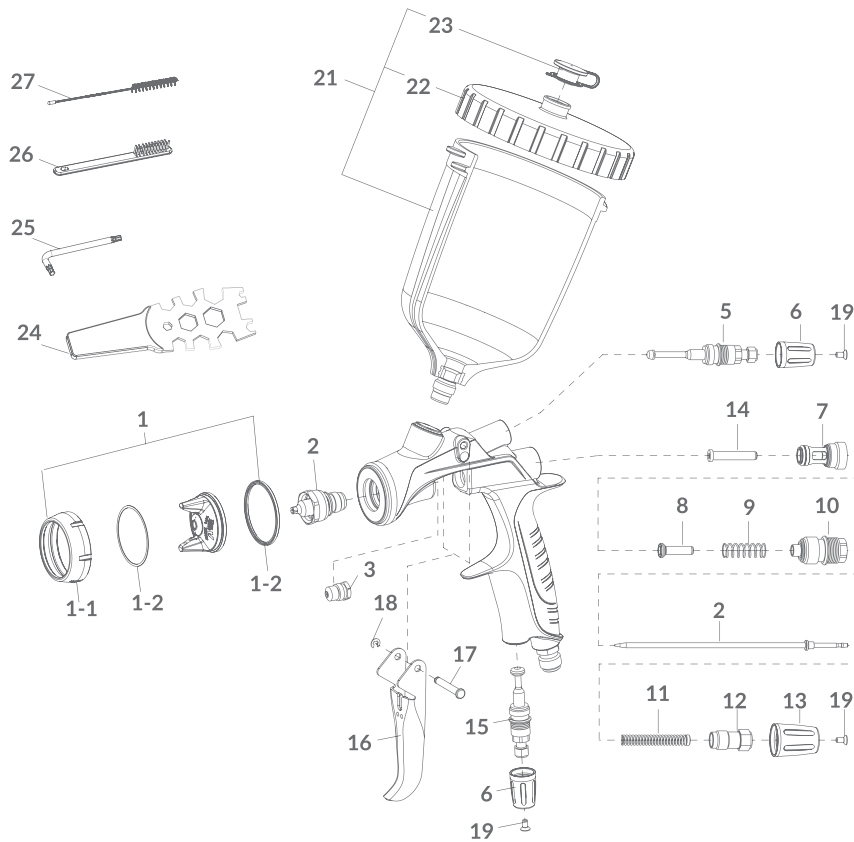
WS-400 Series 2 Clear Spray Gun
600 ml Gravity Cup - HVC Air Pressure Regulator
Cleaning Brushes - Universal Spanner.

★
ECO SET



WS-400 Series 2 Clear Spray Gun
600 ml Gravity Cup
Cleaning Brushes - Universal Spanner.

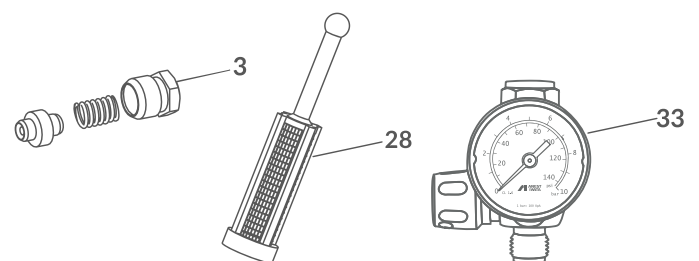
SPARE PARTS



REF.	CODE	DESCRIPTION	€	REF.	CODE	DESCRIPTION	€
1	see table on left page	AIR CAP SET	123,10	14	93001790	AIR VALVE SHAFT	20,90
1-1	93009050	AIR CAP RING CLEAR (Grey)	56,70	15	93008872	AIR ADJUSTMENT SET	56,70
1-2	93018310	AIR CAP PACKING SET (2 pcs.)	15,00	16	93008890	TRIGGER	33,20
2	see table on left page	FLUID NOZZLE + FLUID NEEDLE SET	137,10	17	93505860	TRIGGER STUD	7,20
3	03810620	NEEDLE PACKING SET	32,30	18	96612025	E STOPPER	2,90
5	93008420	PATTERN ADJ. SET	53,50	19	93512741	TORX SOCKET COUNTERSUNK HEAD SCREWS (3 pcs./1 pk.)	16,10
6	93009120	PATTERN ADJUSTMENT KNOB CLEAR (Grey)	23,50	21	14019100	PC-G600P-2 GRAVITY CUP	65,90
7	93001640	AIR VALVE SEAT SET	35,00	22	94011220	LID	36,10
8	93001690	AIR VALVE	23,90	23	94011230	NON DRIP	1,90
9	93001700	AIR VALVE SPRING	13,60	24	930171A0	UNIVERSAL SPANNER	8,80
10	93008840	FLUID ADJ. GUIDE SET	38,50	25	03506480K	TORX ALLEN KEY WRENCH T10 (3 pcs.)	5,90
11	93002820	FLUID NEEDLE SPRING SET	21,50	26	W2COM6163	BRUSHES (5 pcs.)	12,80
12	93505823	FLUID ADJ. SCREW	18,70	27	W2COM6162	TWISTED BRUSH Ø 10 mm (5 pcs.)	15,20
13	93009130	FLUID ADJUSTMENT KNOB CLEAR (Grey)	23,50				

OPTION AND ACCESSORIES

REF.	CODE	DESCRIPTION	€
	930443A0	REPAIRING KIT Includes: air valve seat set (7), air valve (8), air valve spring (9), fluid needle spring set (11), air valve shaft (14), fluid adj. guide set (10), trigger stud (17), e stopper (18), needle packing set (3).	112,40
-	W2KIT55UK	CLEANING KIT	77,10
3	93001410	SELF ADJUSTING NEEDLE PACKING (Opt.)	24,50
28	94011240	FILTER 60 Mesh (250µ)	2,80
33	150003A0	HVC AIR PRESSURE REGULATOR	73,30



W-400 WBX CLASSIC PLUS - HIGH QUALITY

FEATURES



Split Nozzle™
Technology



High Transfer
Efficiency



Lower Noise Level



Easy
Maintenance



Ergonomic
Design



Lightweight



High Quality VOC-Compliant Professional Spray Gun for Car Refinish Clearcoat applications. Equipped with the exclusive Split Nozzle™ Technology. Fine atomization.

TECHNICAL DATA

• Air Nipple: G1/4" • Fluid nipple: M16 x 1.5mm

model name	ø mm	cap	bar*	ml/min	NI/min	mm (in)*
W-400 WBX-124G	1.2	WBX	2.0	150	370	360
W-400 WBX-134G	1.3			195		390
W-400 WBX-144G	1.4			200		

*Suggested gun inlet pressure during spraying.



ORDER INFORMATION

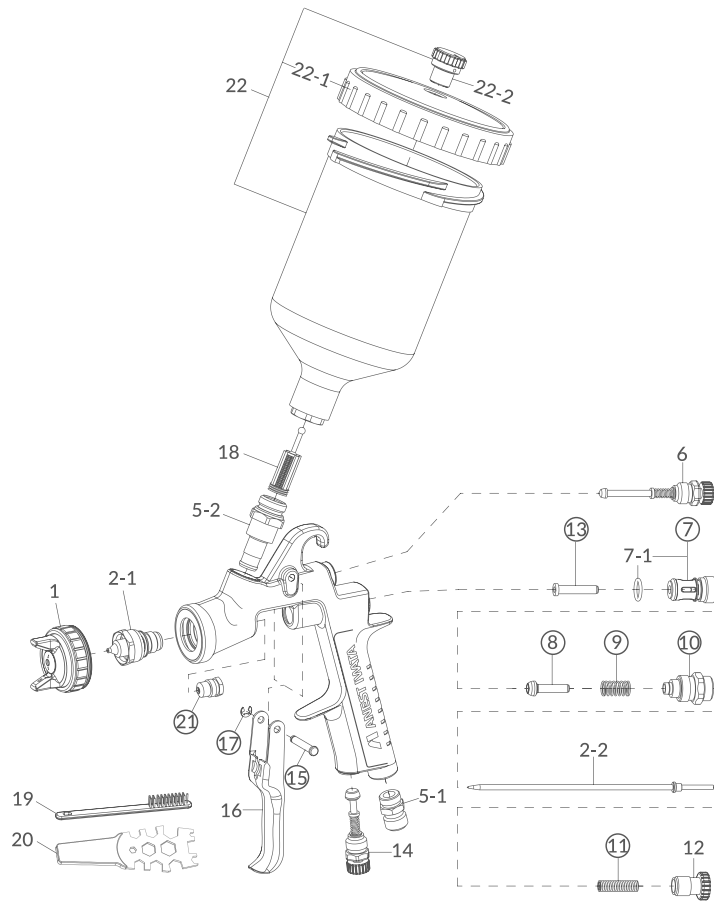
	ø 1,2	ø 1,3	ø 1,4	€
W-400 WBX - PRO KIT (CARTON BOX)	13241422P	13241423P	13241424P	487,30
AIR CAP SET (WBX)		93622630		110,70
FLUID NOZZLE & NEEDLE SET	93627610	93634610	93628610	141,70

SET OPTIONS & CONTENTS

PRO KIT CARTON BOX



W-400 WBX Spray Gun
PCG 6 PE CUP - 600 ml
Cleaning Brushes - Universal Spanner



REF.	CODE	DESCRIPTION	€	REF.	CODE	DESCRIPTION	€
1	see table on left page	AIR CAP SET	110,70	19	W2COM6163	BRUSHES (5 pcs./1 pk.)	12,80
2-1+ 2-2	see table on left page	FLUID NOZZLE + FLUID NEEDLE SET	141,70	20	930171A0	UNIVERSAL SPANNER	8,80
5-1	03660300	AIR NIPPLE	11,10	22	14011001	PCG-6-PE GRAVITY CUP 600 ml	60,00
5-2	93650531	FLUID NIPPLE	75,80	22-1	04002300	LID	10,50
6	93842601	PATTERN ADJ. SET	40,80	22-2	04003320	NON DRIP	2,30
7	03843530	AIR VALVE SEAT SET	28,00				
7-1	06638008	'O' RING	2,90				
8	03591530	AIR VALVE	19,30				
9	03719530	AIR VALVE SPRING	8,20				
10	93844532	FLUID ADJ. GUIDE SET	42,50				
11	03593530	FLUID NEEDLE SPRING	8,20				
12	93594532	FLUID ADJ. KNOB	16,90				
13	93935430	AIR VALVE SHAFT	15,20				
14	93845531	AIR ADJ. SET	42,50				
15	03667360	TRIGGER STUD	4,60				
16	03517600	TRIGGER	21,50				
17	03912030	E STOPPER (2 pcs./1 pk.)	4,50				
18	03515500	FILTER 60 Mesh (250µ)	2,20				
21	03810620	NEEDLE PACKING SET	32,30				

OPTION AND ACCESSORIES		
CODE	DESCRIPTION	€
03708240	AIR CAP PACKING (WHITE)	3,20
03512600	AIR CAP "L" PACKING (BLACK)	5,60
W2KIT55UK	CLEANING KIT	77,10
W2COM6190	REPAIRING KIT 2 (includes: air valve seat set, air valve, air valve spring, fluid needle spring, fluid adj. guide set, air valve shaft, trigger stud, e stopper, needle packing cartridge).	107,50



WS-400 SERIES2 BASE - DIGITAL

FEATURES

- 

Split Nozzle™ 2.0
Compliant Base
- 

Designed by
Pininfarina
- 

Lower
Noise Level
- 

DPG-1
Digital Pressure Gauge
- 

Optimized
Setting

- The Anest Iwata WS-400 Series 2 BASE superior range is ideal for wet on wet basecoat applications.
- Wide range of optimized nozzle configurations available for a variety of paint brands and different climates and conditions.
- Integrated quick detachable compact digital manometer DPG-1 system.
- Special black chrome body



TECHNICAL DATA

• Air Nipple: G1/4" • Fluid Nipple: G1/4"

setup	type	description/climate	model name - digital	cap	bar**	NI/min	mm***
OBS SETUP	1.3 OBS-0	HUMID	WS-400-SR2D-OBS-0	WS-400-02-OBS	2.0	370	255
	1.3 OBS	STANDARD*	WS-400-SR2D-OBS				255
	1.3 OBS+1	DRY	WS-400-SR2D-OBS+1				260
BF SETUP	BF-S	STANDARD*	WS-400-SR2D-BF-S	WS-400-03-BF			250
	BF-40	DRY	WS-400-SR2D-BF-40				390

• OBS series: for type A wet on wet application • BF series: for type B wet on wet application
 *Standard climate range: 15-30°C with a humidity of 30% - 75% RH **Suggested gun inlet pressure during spraying. ***Fan width at a Spray distance of 150 mm.

ORDER INFORMATION

	OBS SET UP			BF SET UP		
	1.3 OBS-0	1.3 OBS	1.3 OBS+1	BF-S	BF-40	€

WS-400 BASE DIGITAL

PRO SET	130189A0	130190A0	130191A0	130250A0	130644A0	810,00
SUPERIOR SET	Please refer to the table on page 22 to see the full range of available combinations and pricing.					
AIR CAP SET	93008310			93018140		123,10
FLUID NOZZLE & NEEDLE	93008930	93008340	93008990	93018150	93021390	137,00

SET OPTIONS & CONTENTS

★★★★ SUPERIOR SET*



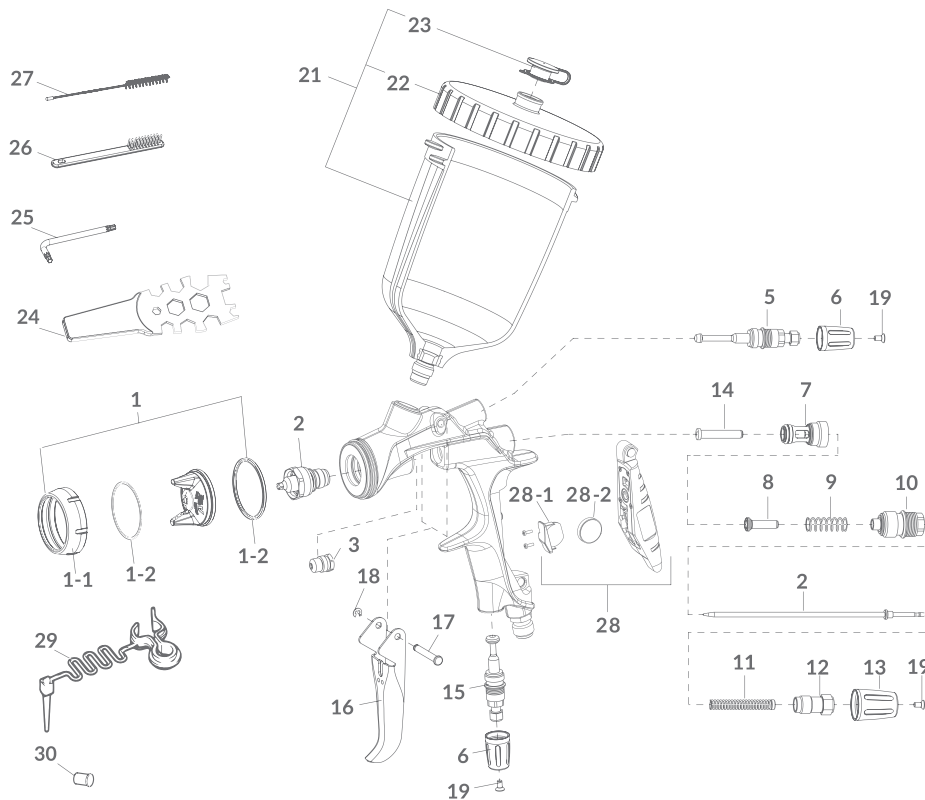
Two Series 2 Spray Guns - Two 600 ml Gravity Cup - Cleaning Brushes - Universal Spanner.
 On Digital version: Trigger Clip/Pin Cap. On Non-Digital Version: HVC Air Pressure Regulator.
 *Please refer to the table on page 22 to see the full range of available combinations.

★★ PRO SET



WS-400 Series 2 Base Digital Spray Gun
 600 ml Gravity Cup - DPG-1 Module - Cleaning Brushes
 Universal Spanner - Trigger Clip/Pin Cap.

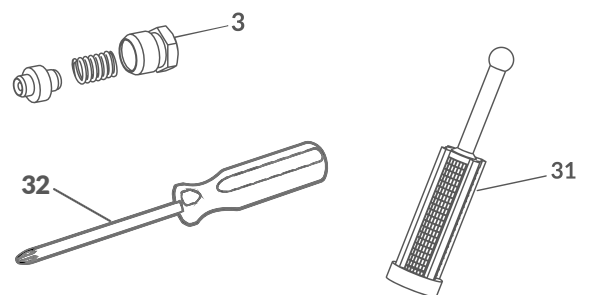
SPARE PARTS



REF.	CODE	DESCRIPTION	€	REF.	CODE	DESCRIPTION	€
1	see table on left page	AIR CAP SET	123,10	16	93008890	TRIGGER	33,20
1-1	93008060	AIR CAP RING BASE (Blue)	56,70	17	93505860	TRIGGER STUD	7,20
1-2	93018310	AIR CAP PACKING SET (2 pcs.)	15,00	18	96612025	E STOPPER	2,90
2	see table on left page	FLUID NOZZLE + FLUID NEEDLE SET	137,00	19	93512741	TORX SOCKET COUNTERSUNK HEAD SCREWS (3 pcs./1 pk.)	16,10
3	03810620	NEEDLE PACKING SET	32,30	21	14019100	PC-G600P-2 GRAVITY CUP	65,90
5	93008420	PATTERN ADJ. SET	53,50	22	94011220	LID	36,10
6	93008140	PATTERN ADJUSTMENT KNOB BASE (Blue)	23,50	23	94011230	NON DRIP	1,90
7	93001640	AIR VALVE SEAT SET	35,00	24	930171A0	UNIVERSAL SPANNER	8,80
8	93001690	AIR VALVE	23,90	25	03506480K	TORX ALLEN KEY WRENCH T10 (3 pcs.)	5,90
9	93001700	AIR VALVE SPRING	13,60	26	W2COM6163	BRUSHES (5 pcs.)	12,80
10	93008840	FLUID ADJ. GUIDE SET	38,50	27	W2COM6162	TWISTED BRUSH Ø 10 mm (5 pcs.)	15,20
11	93002820	FLUID NEEDLE SPRING SET	21,50	28	930113A0	DIGITAL PRESSURE GAUGE DPG-1 (Includes BATTERY HOLDER and BATTERY Spares)	205,40
12	93505823	FLUID ADJ. SCREW	18,70	28-1	930325A0	DPG-1 BATTERY HOLDER	7,00
13	93008150	FLUID ADJUSTMENT KNOB BASE (Blue)	23,50	28-2	930083A0	DPG-1 BATTERY	9,60
14	93001790	AIR VALVE SHAFT	20,90	29	930357A0	TRIGGER CLIP	6,40
15	93008872	AIR ADJUSTMENT SET	56,70	30	930366A0	PROTECTIVE PIN CAP (5 pcs.)	4,80
				32	960024A0	SCREWDRIVER	4,40

OPTION AND ACCESSORIES

REF.	CODE	DESCRIPTION	€
	930443A0	REPAIRING KIT Includes: air valve seat set (7), air valve (8), air valve spring (9), fluid needle spring set (11), air valve shaft (14), fluid adj. guide set (10), trigger stud (17), e stopper (18), needle packing set (3).	112,40
-	W2KIT55UK	CLEANING KIT	77,10
3	93001410	SELF ADJUSTING NEEDLE PACKING (Opt.)	24,50
31	94011240	FILTER 60 Mesh (250µ)	2,80



WS-400 SERIES2 BASE

FEATURES

- 
 Split Nozzle™ 2.0
Compliant Base
- 
 Designed by
Pininfarina
- 
 Lower
Noise Level
- 
 Optimized
Setting

- The Anest Iwata WS-400 Series2 BASE superior range is ideal for wet on wet basecoat applications.
- Wide range of optimized nozzle configurations available for a variety of paint brands and different climates and conditions.
- HVC inline manometer is recommended and available for accurate performance and colour reproduction.



TECHNICAL DATA

• Air Nipple: G1/4" • Fluid Nipple: G1/4"

setup	type	description/climate	model name - non digital	cap	bar**	NL/min	mm***
OBS SETUP	1.3 OBS-0	HUMID	WS-400-SR2-OBS-0	WS-400-02-OBS	2.0	370	255
	1.3 OBS	STANDARD*	WS-400-SR2-OBS				255
	1.3 OBS+1	DRY	WS-400-SR2-OBS+1				260
BF SETUP	BF-S	STANDARD*	WS-400-SR2-BF-S	WS-400-03-BF			250
	BF-40	DRY	WS-400-SR2-BF-40				390

• OBS series: for type A wet on wet application • BF series: for type B wet on wet application
 *Standard climate range: 15-30°C with a humidity of 30% - 75% RH **Suggested gun inlet pressure during spraying. ***Fan width at a Spray distance of 150 mm.

ORDER INFORMATION

	OBS SET UP			BF SET UP		
	1.3 OBS-0	1.3 OBS	1.3 OBS+1	BF-S	BF-40	€

WS-400 BASE

PRO SET	130611A0	130612A0	130613A0	130614A0	130643A0	720,00
ECO SET	130256A0	130257A0	130258A0	130259A0	130260A0	650,00
SUPERIOR SET	Please refer to the table on page 22 to see the full range of available combinations and pricing.					

AIR CAP SET	93008310			93018140		123,10
FLUID NOZZLE & NEEDLE	93008930	93008340	93008990	93018150	93021390	137,00

SET OPTIONS & CONTENTS

★★★ SUPERIOR SET*



Two Series 2 Spray Guns - Two 600 ml Gravity Cup - Cleaning Brushes
 Universal Spanner. On Digital version: Trigger Clip/Pin Cap.
 On Non-Digital Version: HVC Air Pressure Regulator.

*Please refer to the table on page 22 to see the full range of available combinations.

★★ PRO SET



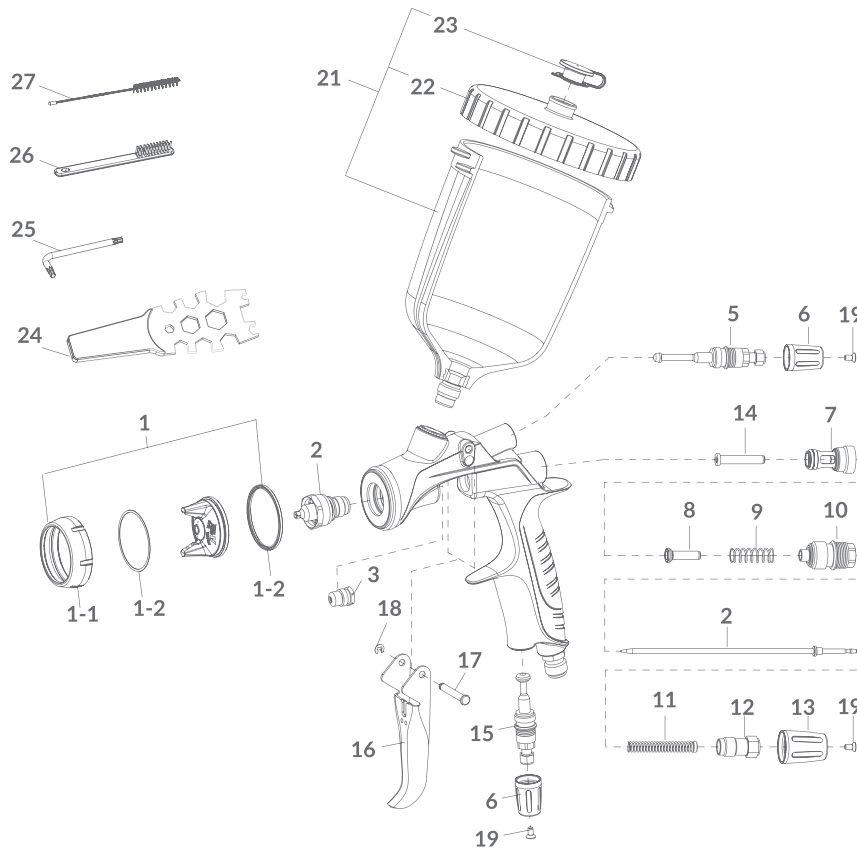
WS-400 Series 2 Base Spray Gun
 600 ml Gravity Cup - HVC Air Pressure Regulator
 Cleaning Brushes - Universal Spanner.

★ ECO SET



WS-400 Series 2 Base Spray Gun
 600 ml Gravity Cup
 Cleaning Brushes - Universal Spanner.

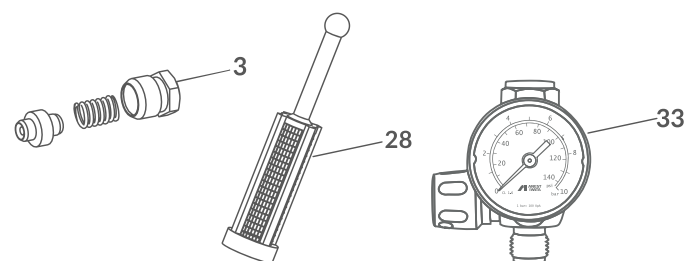
SPARE PARTS



REF.	CODE	DESCRIPTION	€	REF.	CODE	DESCRIPTION	€
1	see table on left page	AIR CAP SET	123,10	14	93001790	AIR VALVE SHAFT	20,90
1-1	93008060	AIR CAP RING BASE (Blue)	56,70	15	93008872	AIR ADJUSTMENT SET	56,70
1-2	93018310	AIR CAP PACKING SET (2 pcs.)	15,00	16	93008890	TRIGGER	33,20
2	see table on left page	FLUID NOZZLE + FLUID NEEDLE SET	137,00	17	93505860	TRIGGER STUD	7,20
3	03810620	NEEDLE PACKING SET	32,30	18	96612025	E STOPPER	2,90
5	93008420	PATTERN ADJ. SET	53,50	19	93512741	TORX SOCKET COUNTERSUNK HEAD SCREWS (3 pcs./1 pk.)	16,10
6	93008140	PATTERN ADJUSTMENT KNOB BASE (Blue)	23,50	21	14019100	PC-G600P-2 GRAVITY CUP	65,90
7	93001640	AIR VALVE SEAT SET	35,00	22	94011220	LID	36,10
8	93001690	AIR VALVE	23,90	23	94011230	NON DRIP	1,90
9	93001700	AIR VALVE SPRING	13,60	24	930171A0	UNIVERSAL SPANNER	8,80
10	93008840	FLUID ADJ. GUIDE SET	38,50	25	03506480K	TORX ALLEN KEY WRENCH T10 (3 pcs.)	5,90
11	93002820	FLUID NEEDLE SPRING SET	21,50	26	W2COM6163	BRUSHES (5 pcs.)	12,80
12	93505823	FLUID ADJ. SCREW	18,70	27	W2COM6162	TWISTED BRUSH Ø 10 mm (5 pcs.)	15,20
13	93008150	FLUID ADJUSTMENT KNOB BASE (Blue)	23,50				

OPTION AND ACCESSORIES

REF.	CODE	DESCRIPTION	€
		REPAIRING KIT Includes: air valve seat set (7), air valve (8), air valve spring (9), fluid needle spring set (11), air valve shaft (14), fluid adj. guide set (10), trigger stud (17), e stopper (18), needle packing set (3).	112,40
-	W2KIT55UK	CLEANING KIT	77,10
3	93001410	SELF ADJUSTING NEEDLE PACKING (Opt.)	24,50
28	94011240	FILTER 60 Mesh (250µ)	2,80
33	150003A0	HVC AIR PRESSURE REGULATOR	73,30



LS-400 SERIES2 BASE - DIGITAL

FEATURES

- 
Split Nozzle™ 2.0
HVLP Base
- 
Designed by
Pininfarina
- 
Lower
Noise Level
- 
DPG-1
Digital Pressure Gauge
- 
Optimized
Setting

- The Anest Iwata LS-400 Series 2 Base superior range is ideal for a wide range of basecoat applications.
- Wide range of optimized nozzle configurations available for a variety of paint brands and different climates and conditions.
- Integrated quick detachable compact DPG-1 digital manometer system.
- Special black chrome body



TECHNICAL DATA

• Air Nipple: G1/4" • Fluid Nipple: G1/4"

setup	type	application speed	model name - digital	cap	bar*	NL/min	mm**
ET SETUP STANDARD	1.2 ET	CONTROL	LS-400-SR2D-1206	LS-400-06	1.8	400	230
	1.3 ET	STANDARD	LS-400-SR2D-1306				235
	1.4 ET	SPEED	LS-400-SR2D-1406				240
	1.5 ET	HIGH SPEED	LS-400-SR2D-1506				245
ETS SETUP DRY	1.2 ETS	CONTROL	LS-400-SR2D-12S06			420	200
	1.3 ETS	STANDARD	LS-400-SR2D-13S06				205
	1.4 ETS	SPEED	LS-400-SR2D-14S06				210
	1.5 ETS	HIGH SPEED	LS-400-SR2D-15S06				215

• ET series: for standard climate application • ETS series: for dry climate application
*Suggested gun inlet pressure during spraying. **Fan width at a Spray distance of 150 mm.

ORDER INFORMATION

	ET SET UP				ETS SET UP				€
	1.2 ET	1.3 ET	1.4 ET	1.5 ET	1.2 ETS	1.3 ETS	1.4 ETS	1.5 ETS	
LS-400 BASE DIGITAL									
PRO SET	130213A0	130214A0	130215A0	130216A0	130217A0	130218A0	130219A0	130220A0	820,00
SUPERIOR SET	Please refer to the table on page 22 to see the full range of available combinations and pricing.								
AIR CAP SET	93008030								123,10
FLUID NOZZLE & NEEDLE	93008160	93008070	93008180	93008200	93008230	93008250	93008270	93008290	137,00

SET OPTIONS & CONTENTS

★★★ SUPERIOR SET*



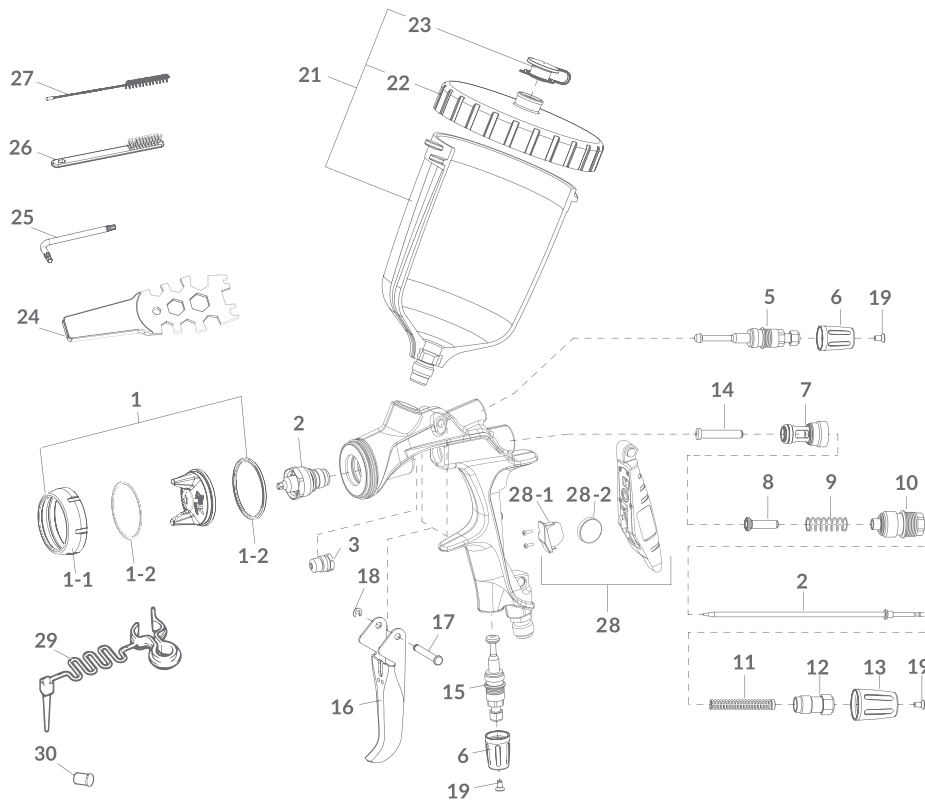
★★ PRO SET



Two Series 2 Spray Guns - Two 600 ml Gravity Cup - Cleaning Brushes - Universal Spanner.
On Digital version: Trigger Clip/Pin Cap. On Non-Digital Version: HVC Air Pressure Regulator.
*Please refer to the table on page 22 to see the full range of available combinations.

LS-400 Series 2 Base Digital Spray Gun
600 ml Gravity Cup - DPG-1 Module - Cleaning Brushes
Universal Spanner - Trigger Clip/Pin Cap.

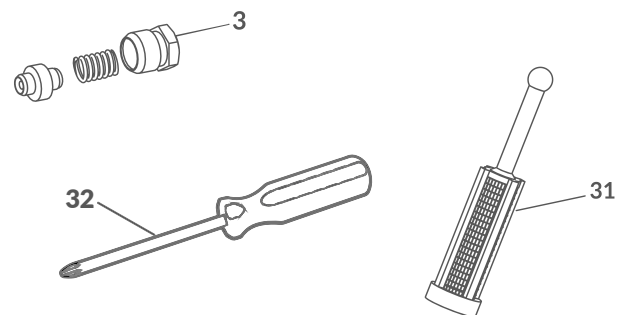
SPARE PARTS



REF.	CODE	DESCRIPTION	€	REF.	CODE	DESCRIPTION	€
1	see table on left page	AIR CAP SET	123,10	16	93008890	TRIGGER	33,20
1-1	93008330	AIR CAP RING LS (Green)	56,70	17	93505860	TRIGGER STUD	7,20
1-2	93018310	AIR CAP PACKING SET (2 pcs.)	15,00	18	96612025	E STOPPER	2,90
2	see table on left page	FLUID NOZZLE + FLUID NEEDLE SET	137,00	19	93512741	TORX SOCKET COUNTERSUNK HEAD SCREWS (3 pcs./1 pk.)	16,10
3	03810620	NEEDLE PACKING SET	32,30	21	14019100	PC-G600P-2 GRAVITY CUP	65,90
5	93008420	PATTERN ADJ. SET	53,50	22	94011220	LID	36,10
6	93008820	PATTERN ADJUSTMENT KNOB LS (Green)	23,50	23	94011230	NON DRIP	1,90
7	93001640	AIR VALVE SEAT SET	35,00	24	930171A0	UNIVERSAL SPANNER	8,80
8	93001690	AIR VALVE	23,90	25	03506480K	TORX ALLEN KEY WRENCH T10 (3 pcs.)	5,90
9	93001700	AIR VALVE SPRING	13,60	26	W2COM6163	BRUSHES (5 pcs.)	12,80
10	93008840	FLUID ADJ. GUIDE SET	38,50	27	W2COM6162	TWISTED BRUSH Ø 10 mm (5 pcs.)	15,20
11	93002820	FLUID NEEDLE SPRING SET	21,50	28	930113A0	DIGITAL PRESSURE GAUGE DPG-1 (Includes BATTERY HOLDER and BATTERY Spares)	205,40
12	93505823	FLUID ADJ. SCREW	18,70	28-1	930325A0	DPG-1 BATTERY HOLDER	7,00
13	93008860	FLUID ADJUSTMENT KNOB LS (Green)	23,50	28-2	930083A0	DPG-1 BATTERY	9,60
14	93001790	AIR VALVE SHAFT	20,90	29	930357A0	TRIGGER CLIP	6,40
15	93008872	AIR ADJUSTMENT SET	56,70	30	930366A0	PROTECTIVE PIN CAP (5 pcs.)	4,80
				32	960024A0	SCREWDRIVER	4,40

OPTION AND ACCESSORIES

REF.	CODE	DESCRIPTION	€
		REPAIRING KIT Includes: air valve seat set (7), air valve (8), air valve spring (9), fluid needle spring set (11), air valve shaft (14), fluid adj. guide set (10), trigger stud (17), e stopper (18), needle packing set (3).	112,40
-	W2KIT55UK	CLEANING KIT	77,10
3	93001410	SELF ADJUSTING NEEDLE PACKING (Opt.)	24,50
31	94011240	FILTER 60 Mesh (250µ)	2,80



LS-400 SERIES2 BASE

FEATURES

- 
 Split Nozzle™ 2.0
 HVLP Base
- 
 Designed by
 Pininfarina
- 
 Lower
 Noise Level
- 
 Optimized
 Setting

- The Anest Iwata LS-400 Series 2 BASE superior range is ideal for a wide range of basecoat applications.
- Wide range of optimized nozzle configurations available for a variety of paint brands and different climates and conditions.
- HVC inline manometer is recommended and available for accurate performance and colour reproduction.

TECHNICAL DATA

• Air Nipple: G1/4" • Fluid Nipple: G1/4"

setup	type	application speed	model name - non digital	cap	bar*	NL/min	mm**
ET SETUP STANDARD	1.2 ET	CONTROL	LS-400-SR2-1206	LS-400-06	1.8	400	230
	1.3 ET	STANDARD	LS-400-SR2-1306				235
	1.4 ET	SPEED	LS-400-SR2-1406				240
	1.5 ET	HIGH SPEED	LS-400-SR2-1506				245
ETS SETUP DRY	1.2 ETS	CONTROL	LS-400-SR2-12S06			420	200
	1.3 ETS	STANDARD	LS-400-SR2-13S06				205
	1.4 ETS	SPEED	LS-400-SR2-14S06				210
	1.5 ETS	HIGH SPEED	LS-400-SR2-15S06				215

• ET series: for standard climate application • ETS series: for dry climate application
 *Suggested gun inlet pressure during spraying. **Fan width at a Spray distance of 150 mm.

ORDER INFORMATION

	ET SET UP				ETS SET UP				€
	1.2 ET	1.3 ET	1.4 ET	1.5 ET	1.2 ETS	1.3 ETS	1.4 ETS	1.5 ETS	
LS-400 BASE									
PRO SET	130619A0	130620A0	130621A0	130622A0	130623A0	130624A0	130625A0	130626A0	730,00
ECO SET	130265A0	130266A0	130267A0	130268A0	130269A0	130270A0	130271A0	130272A0	660,00
SUPERIOR SET	Please refer to the table on page 22 to see the full range of available combinations and pricing.								
AIR CAP SET	93008030								123,10
FLUID NOZZLE & NEEDLE	93008160	93008070	93008180	93008200	93008230	93008250	93008270	93008290	137,00

SET OPTIONS & CONTENTS

★★★
SUPERIOR SET*



★★
PRO SET



★
ECO SET



Two Series 2 Spray Guns - Two 600 ml Gravity Cup - Cleaning Brushes
 Universal Spanner. On Digital version: Trigger Clip/Pin Cap.
 On Non-Digital Version: HVC Air Pressure Regulator.

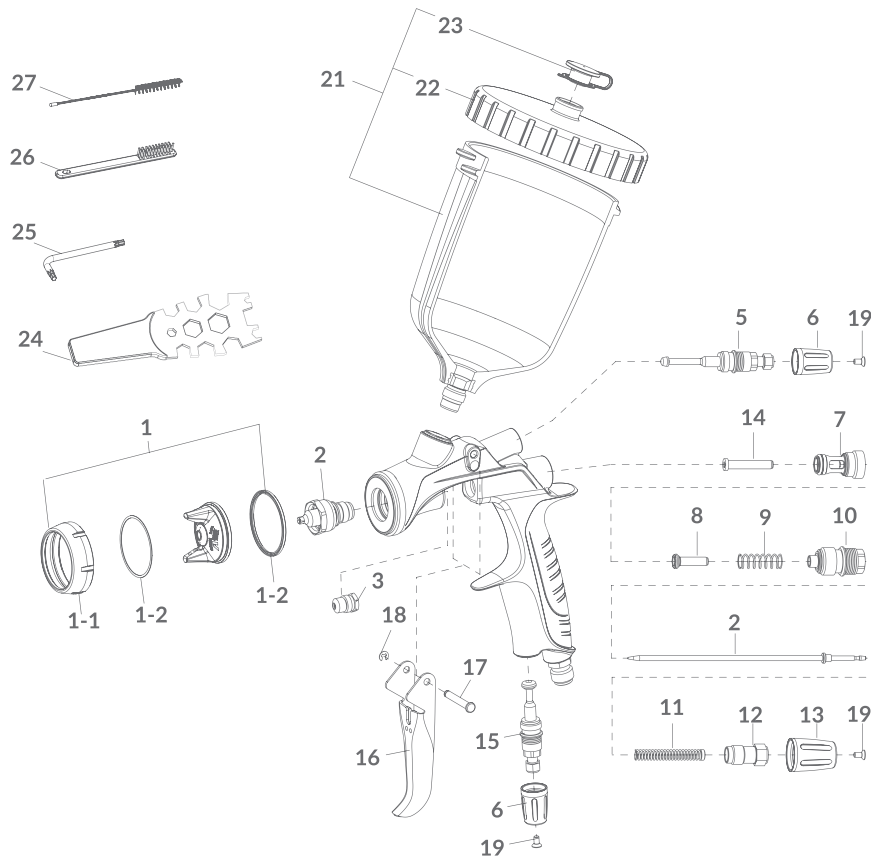
*Please refer to the table on page 22 to see the full range of available combinations.

LS-400 Series 2 Base Spray Gun
 600 ml Gravity Cup - HVC Air Pressure Regulator
 Cleaning Brushes - Universal Spanner.

LS-400 Series 2 Base Spray Gun
 600 ml Gravity Cup
 Cleaning Brushes - Universal Spanner.



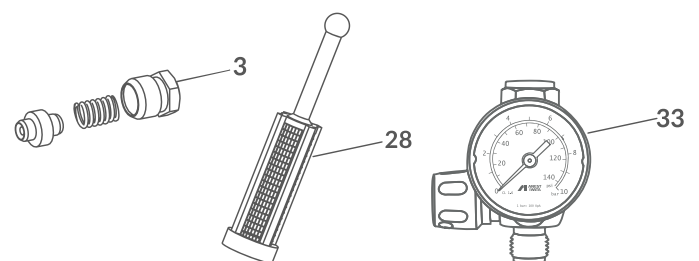
SPARE PARTS



REF.	CODE	DESCRIPTION	€	REF.	CODE	DESCRIPTION	€
1	see table on left page	AIR CAP SET	123,10	14	93001790	AIR VALVE SHAFT	20,90
1-1	93008060	AIR CAP RING LS (Green)	56,70	15	93008872	AIR ADJUSTMENT SET	56,70
1-2	93018310	AIR CAP PACKING SET (2 pcs.)	15,00	16	93008890	TRIGGER	33,20
2	see table on left page	FLUID NOZZLE + FLUID NEEDLE SET	137,00	17	93505860	TRIGGER STUD	7,20
3	03810620	NEEDLE PACKING SET	32,30	18	96612025	E STOPPER	2,90
5	93008420	PATTERN ADJ. SET	53,50	19	93512741	TORX SOCKET COUNTERSUNK HEAD SCREWS (3 pcs./1 pk.)	16,10
6	93008820	PATTERN ADJUSTMENT KNOB LS (Green)	23,50	21	14019100	PC-G600P-2 GRAVITY CUP	65,90
7	93001640	AIR VALVE SEAT SET	35,00	22	94011220	LID	36,10
8	93001690	AIR VALVE	23,90	23	94011230	NON DRIP	1,90
9	93001700	AIR VALVE SPRING	13,60	24	930171A0	UNIVERSAL SPANNER	8,80
10	93008840	FLUID ADJ. GUIDE SET	38,50	25	03506480K	TORX ALLEN KEY WRENCH T10 (3 pcs.)	5,90
11	93002820	FLUID NEEDLE SPRING SET	21,50	26	W2COM6163	BRUSHES (5 pcs.)	12,80
12	93505823	FLUID ADJ. SCREW	18,70	27	W2COM6162	TWISTED BRUSH Ø 10 mm (5 pcs.)	15,20
13	93008860	FLUID ADJUSTMENT KNOB LS (Green)	23,50				

OPTION AND ACCESSORIES

REF.	CODE	DESCRIPTION	€
	930443A0	REPAIRING KIT Includes: air valve seat set (7), air valve (8), air valve spring (9), fluid needle spring set (11), air valve shaft (14), fluid adj. guide set (10), trigger stud (17), e stopper (18), needle packing set (3).	112,40
-	W2KIT55UK	CLEANING KIT	77,10
3	93001410	SELF ADJUSTING NEEDLE PACKING (Opt.)	24,50
28	94011240	FILTER 60 Mesh (250µ)	2,80
33	150003A0	HVC AIR PRESSURE REGULATOR	73,30



WS/LS-400 SERIES2 - SUPERIOR SET

The Superior Set is any spray painter's ultimate toolset. It contains two fully-equipped sets of the Series 2 spray guns. Choose your desired combination from our wide range of digital spray guns, which include the DPG-1 module, or standard spray guns, which include the HVC-1 controller. These sets include everything you need and come in a high-quality case, so you can safely carry your tools with you wherever you go.

PICK YOUR CLEARCOAT GUN

		WS-400 1.2 HD		WS-400 1.3 HD	
		STANDARD	DIGITAL	STANDARD	DIGITAL
WS-400 BASE 1.3 OBS	STANDARD	130283A0SS	130283A0SD	130284A0SS	130284A0SD
	DIGITAL	130283A0DS	130283A0DD	130284A0DS	130284A0DD
WS-400 BASE 1.3 OBS-0	STANDARD	130274A0SS	130274A0SD	130275A0SS	130275A0SD
	DIGITAL	130274A0DS	130274A0DD	130275A0DS	130275A0DD
WS-400 BASE 1.3 OBS+1	STANDARD	130291A0SS	130291A0SD	130292A0SS	130292A0SD
	DIGITAL	130291A0DS	130291A0DD	130292A0DS	130292A0DD
WS-400 BASE BF-S	STANDARD	130300A0SS	130300A0SD	130301A0SS	130301A0SD
	DIGITAL	130300A0DS	130300A0DD	130301A0DS	130301A0DD
WS-400 BASE BF-40	STANDARD	130312A0SS	130312A0SD	130313A0SS	130313A0SD
	DIGITAL	130312A0DS	130312A0DD	130313A0DS	130313A0DD

PICK YOUR BASECOAT GUN

LS-400 BASE 1.2 ET	STANDARD	130327A0SS	130327A0SD	130337A0SS	130337A0SD
	DIGITAL	130327A0DS	130327A0DD	130337A0DS	130337A0DD
LS-400 BASE 1.3 ET	STANDARD	130328A0SS	130328A0SD	130338A0SS	130338A0SD
	DIGITAL	130328A0DS	130328A0DD	130338A0DS	130338A0DD
LS-400 BASE 1.4 ET	STANDARD	130329A0SS	130329A0SD	130339A0SS	130339A0SD
	DIGITAL	130329A0DS	130329A0DD	130339A0DS	130339A0DD
LS-400 BASE 1.5 ET	STANDARD	130330A0SS	130330A0SD	130340A0SS	130340A0SD
	DIGITAL	130330A0DS	130330A0DD	130340A0DS	130340A0DD
LS-400 BASE 1.2 ETS	STANDARD	130331A0SS	130331A0SD	130341A0SS	130341A0SD
	DIGITAL	130331A0DS	130331A0DD	130341A0DS	130341A0DD
LS-400 BASE 1.3 ETS	STANDARD	130332A0SS	130332A0SD	130342A0SS	130342A0SD
	DIGITAL	130332A0DS	130332A0DD	130342A0DS	130342A0DD
LS-400 BASE 1.4 ETS	STANDARD	130333A0SS	130333A0SD	130343A0SS	130343A0SD
	DIGITAL	130333A0DS	130333A0DD	130343A0DS	130343A0DD
LS-400 BASE 1.5 ETS	STANDARD	130334A0SS	130334A0SD	130344A0SS	130344A0SD
	DIGITAL	130334A0DS	130334A0DD	130344A0DS	130344A0DD

COMBINATION CHART



ORDER INFORMATION

DIGITAL SPRAY GUN + DIGITAL SPRAY GUN	DIGITAL SPRAY GUN + NON DIGITAL SPRAY GUN	NON DIGITAL SPRAY GUN + NON DIGITAL SPRAY GUN
WS+LS 1680,00 €	WS+LS 1580,00 €	WS+LS 1420,00 €
WS+WS 1670,00 €	WS+WS 1570,00 €	WS+WS 1410,00 €



PICK YOUR CLEARCOAT GUN

WS-400 1.4 HD		WS-400 1.5 HD	
STANDARD	DIGITAL	STANDARD	DIGITAL
130285A0SS	130285A0SD	130286A0SS	130286A0SD
130285A0DS	130285A0DD	130286A0DS	130286A0DD
130276A0SS	130276A0SD	130277A0SS	130277A0SD
130276A0DS	130276A0DD	130277A0DS	130277A0DD
130293A0SS	130293A0SD	130294A0SS	130294A0SD
130293A0DS	130293A0DD	130294A0DS	130294A0DD
130302A0SS	130302A0SD	130303A0SS	130303A0SD
130302A0DS	130302A0DD	130303A0DS	130303A0DD
130314A0SS	130314A0SD	130315A0SS	130315A0SD
130314A0DS	130314A0DD	130315A0DS	130315A0DD
130346A0SS	130346A0SD	130354A0SS	130354A0SD
130346A0DS	130346A0DD	130354A0DS	130354A0DD
130347A0SS	130347A0SD	130355A0SS	130355A0SD
130347A0DS	130347A0DD	130355A0DS	130355A0DD
130348A0SS	130348A0SD	130356A0SS	130356A0SD
130348A0DS	130348A0DD	130356A0DS	130356A0DD
130349A0SS	130349A0SD	130357A0SS	130357A0SD
130349A0DS	130349A0DD	130357A0DS	130357A0DD
130350A0SS	130350A0SD	130358A0SS	130358A0SD
130350A0DS	130350A0DD	130358A0DS	130358A0DD
130351A0SS	130351A0SD	130359A0SS	130359A0SD
130351A0DS	130351A0DD	130359A0DS	130359A0DD
130352A0SS	130352A0SD	130360A0SS	130360A0SD
130352A0DS	130352A0DD	130360A0DS	130360A0DD
130353A0SS	130353A0SD	130361A0SS	130361A0SD
130353A0DS	130353A0DD	130361A0DS	130361A0DD



W-400 WB1 & WB2 CLASSIC PLUS - HIGH QUALITY

FEATURES



High Quality VOC-Compliant Professional Spray Gun for Car Refinish Basecoat applications. Equipped with the exclusive Split Nozzle™ Technology. Fine atomization. Special for water base paints.

TECHNICAL DATA

• Air nipple: G1/4" • Fluid nipple: M16 x 1.5 mm

model name	ø mm	cap	bar*	ml/min	NI/min	mm (in)
W-400 WB-101G	1.0	WB1	1.8	90	230	230
W-400 WB-121G	1.2			120		260
W-400 WB-131G	1.3			140		280
W-400 WB-141G	1.4			WB2		390
W-400 WB-122G	1.2	160			300	
W-400 WB-132G	1.3	310				
W-400 WB-142G	1.4	340				
W-400 WB-162G	1.6			250		

*Suggested gun inlet pressure during spraying.

ORDER INFORMATION

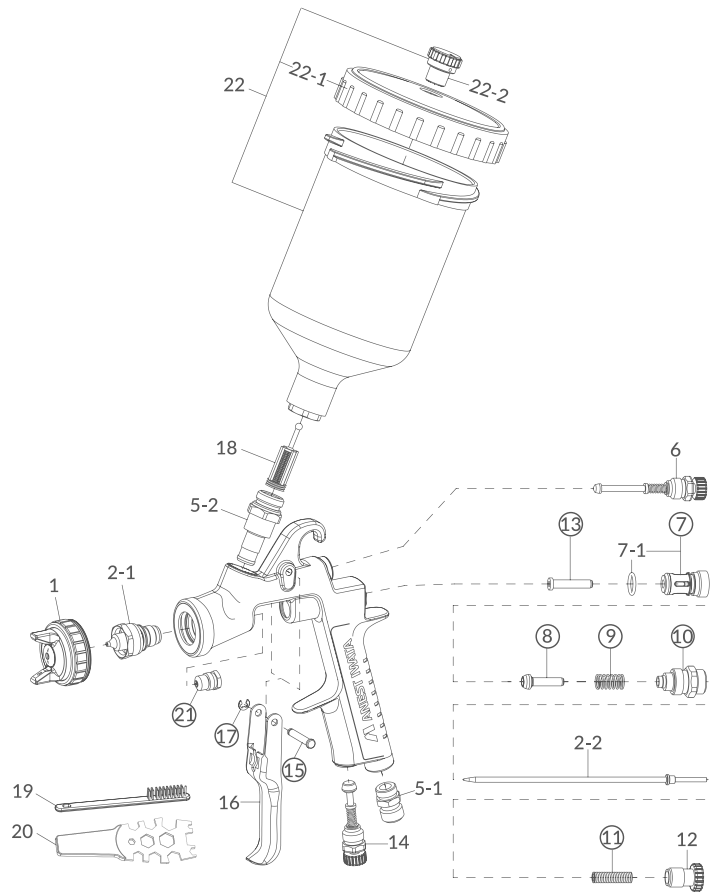
	ø 1,0	ø 1,2	ø 1,3	ø 1,4	ø 1,2	ø 1,3	ø 1,4	ø 1,6	€
W-400 WB1 - PRO KIT	13241411P	13241412P	13241413P	13241414P	-	-	-	-	487,30
W-400 WB2 - PRO KIT					13241415P	13241416P	13241417P	13241418P	487,30
AIR CAP SET (WB1)	93896610				-				
AIR CAP SET (WB2)	-				93624620				110,70
FLUID NOZZLE & NEEDLE	93626610	93627610	93634610	93628610	93627610	93634610	93628610	93622620	147,70

SET OPTIONS & CONTENTS

PRO KIT CARTON BOX



W-400 WB Spray Gun
PCG 6 PE CUP - 600 ml
Cleaning Brushes - Universal Spanner



REF.	CODE	DESCRIPTION	€	REF.	CODE	DESCRIPTION	€
1	see table on left page	AIR CAP SET	110,70	19	W2COM6163	BRUSHES (5 pcs./1 pk.)	12,80
2-1+ 2-2	see table on left page	FLUID NOZZLE + FLUID NEEDLE SET	147,70	20	930171A0	UNIVERSAL SPANNER	8,80
5-1	03660300	AIR NIPPLE	11,10	22	14011001	PCG-6-PE GRAVITY CUP 600 ml	60,00
5-2	93650531	FLUID NIPPLE	75,80	22-1	04002300	LID	10,50
6	93842601	PATTERN ADJ. SET	40,80	22-2	04003320	NON DRIP	2,30
7	03843530	AIR VALVE SEAT SET	28,00				
7-1	06638008	'O' RING	2,90				
8	03591530	AIR VALVE	19,30				
9	03719530	AIR VALVE SPRING	8,20				
10	93844532	FLUID ADJ. GUIDE SET	42,50				
11	03593530	FLUID NEEDLE SPRING	8,20				
12	93594532	FLUID ADJ. KNOB	16,90				
13	93935430	AIR VALVE SHAFT	15,20				
14	93845531	AIR ADJ. SET	42,50				
15	03667360	TRIGGER STUD	4,60				
16	03517600	TRIGGER	21,50				
17	03912030	E STOPPER (2 pcs./1 pk.)	4,50				
18	03515500	FILTER 60 Mesh (250µ)	2,20				
21	03810620	NEEDLE PACKING SET	32,30				

OPTION AND ACCESSORIES		
CODE	DESCRIPTION	€
03708240	AIR CAP PACKING (WHITE)	3,20
03512600	AIR CAP "L" PACKING (BLACK)	5,60
W2KIT55UK	CLEANING KIT	77,10
W2COM6190	REPAIRING KIT 2 (includes: air valve seat set, air valve, air valve spring, fluid needle spring, fluid adj. guide set, air valve shaft, trigger stud, e stopper, needle packing cartridge).	107,50



LPH-300 (LVLP) - PREMIUM QUALITY

FEATURES



Premium Quality VOC-Compliant Professional Spray Gun for Car Refinish Primer-coat applications. Equipped with the exclusive Split Nozzle™ Technology. Very low overspray & air consumption, suitable for wet on wet applications.



TECHNICAL DATA

• Air Nipple: G1/4" • Fluid Nipple: G1/4"

model name	ø mm	cap	bar*	ml/min	NI/min	mm (in)
LPH-300 - 104LV	1.0	LV4	1.3	50	240	200
LPH-300 - 124LV	1.2			70		210
LPH-300 - 144LV	1.4			90		250
LPH-300 - 164LV	1.6			110		230
LPH-300 - 184LV	1.8			130		
LPH-300 - 204LV	2.0			150		

*Suggested gun inlet pressure during spraying.

ORDER INFORMATION

	ø 1,0	ø 1,2	ø 1,4	ø 1,6	ø 1,8	ø 2,0	€
LPH-300 - PRO KIT (600 ml CUP)	13189063P	13189003P	13189034P	13189023P	13189033P	13189035P	387,70
LPH-300 - PRO KIT (200 ml CUP)	13189061P	13189001P	13189011P	13189021P	-	-	387,70
AIR CAP SET (LV4)	93875602						137,00
FLUID NOZZLE & NEEDLE SET	93518650	93867600	93862600	93869600	93871600	93621600	163,30

SET OPTIONS & CONTENTS

PRO KIT CARTON BOX - A



LPH-300 Spray Gun
PC-G600P-2 CUP - 600 ml
Cleaning Brushes - Universal Spanner

PRO KIT CARTON BOX - B



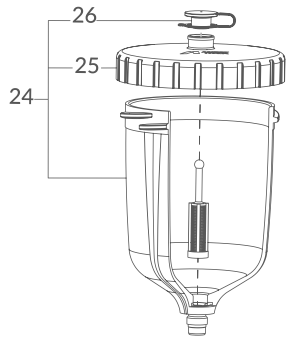
LPH-300 Spray Gun
PCG 2P-2 CUP - 200 ml
Cleaning Brushes - Universal Spanner

SPARE PARTS

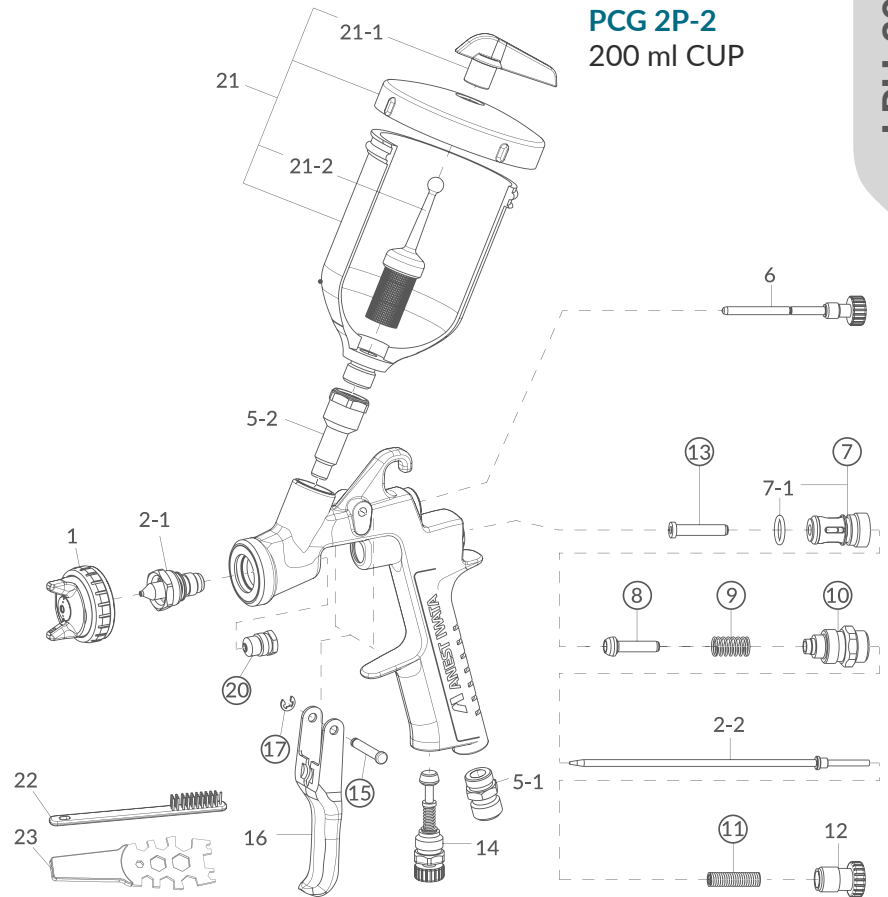


LPH-300 (LVL/LP)

PC-G600P-2 600 ml CUP



PCG 2P-2 200 ml CUP



REF.	CODE	DESCRIPTION	€	REF.	CODE	DESCRIPTION	€
1	see table on left page	AIR CAP SET	137,00	21-1	W2KIT07	NON DRIP SET (5 pcs./1pk.)	7,00
2-1+ 2-2	see table on left page	FLUID NOZZLE + FLUID NEEDLE SET	163,30	21-2	W2KIT06	FILTER 50 Mesh (297µ) (5 pcs./1pk.)	22,10
5-1	03660300	AIR NIPPLE	11,10	22	W2COM6163	BRUSHES (5 pcs./1 pk.)	12,80
5-2	03575620	FLUID NIPPLE	121,10	23	930171A0	UNIVERSAL SPANNER	8,80
6	03577620	PATTERN ADJ. SET	62,00	24	14019100	PC-G600P-2 GRAVITY CUP 600 ml	65,90
7	03843530	AIR VALVE SEAT SET	28,00	25	94011220	LID (for 600 ml cup)	36,10
7-1	06638008	'O' RING	2,90	26	94011230	NON DRIP (for 600 ml cup)	1,90
8	03591530	AIR VALVE	19,30				
9	03719530	AIR VALVE SPRING	8,20				
10	93844532	FLUID ADJ. GUIDE SET	42,50				
11	03593530	FLUID NEEDLE SPRING	8,20				
12	93594532	FLUID ADJ. KNOB	16,90				
13	93935430	AIR VALVE SHAFT	15,20				
14	93845531	AIR ADJ. SET	42,50				
15	03667360	TRIGGER STUD	4,60				
16	03597530	TRIGGER	18,20				
17	03912030	E STOPPER (2 pcs./1 pk.)	4,50				
20	03810620	NEEDLE PACKING SET	32,30				
21	W0CUPAZ40IN	PCG-2P-2 GRAVITY CUP 200 ml	40,80				

OPTION AND ACCESSORIES		
CODE	DESCRIPTION	€
03608320	AIR CAP PACKING (WHITE)	4,90
03576530	AIR CAP "L" PACKING (BLACK)	4,90
W2KIT55UK	CLEANING KIT	77,10
W2COM6190	REPAIRING KIT 2 (includes: air valve seat set, air valve, air valve spring, fluid needle spring, air valve shaft, fluid adj. guide set, trigger stud, e stopper, needle packing cartridge).	107,50
94011240	FILTER 60 Mesh (250µ)	2,80



W-400 BELLARIA CLASSIC PLUS - HIGH QUALITY

FEATURES



Standard Technology



High Transfer Efficiency



Lower Noise Level



Easy Maintenance



Ergonomic Design



Lightweight

Classic plus
Bellaria



High Quality VOC-Compliant Professional Spray Gun for Car Refinish Primer-coat applications. Maximum performance thanks to the Flat & Thin air caps Technology.

TECHNICAL DATA

• Air nipple: G1/4" • Fluid nipple: M16 x 1.5 mm

model name	ø mm	cap	bar*	ml/min	NI/min	mm (in)
W-400-104G	1.0	BA4-1		130	250	200
W-400-124G	1.2			180		220
W-400-134G	1.3	BA4-2	2.0	220	270	280
W-400-144G	1.4			250		300
W-400-164G	1.6			285		330
W-400-184G	1.8			360		375
W-400-204G	2.0			375		390

*Suggested gun inlet pressure during spraying.

ORDER INFORMATION

	ø 1,0	ø 1,2	ø 1,3	ø 1,4	ø 1,6	ø 1,8	ø 2,0	€
W-400 BELLARIA - PRO KIT	13328511P	13328512P	13328513P	13328514P	13328516P	13328518P	13328519P	421,90
AIR CAP SET (BA4-1)	93611700		-					110,70
AIR CAP SET (BA4-2)	-		93611710					110,70
FLUID NOZZLE & NEEDLE SET	93611720	93611730	93611740	93611750	93611760	93611770	93611780	113,60

SET OPTIONS & CONTENTS

PRO KIT CARTON BOX

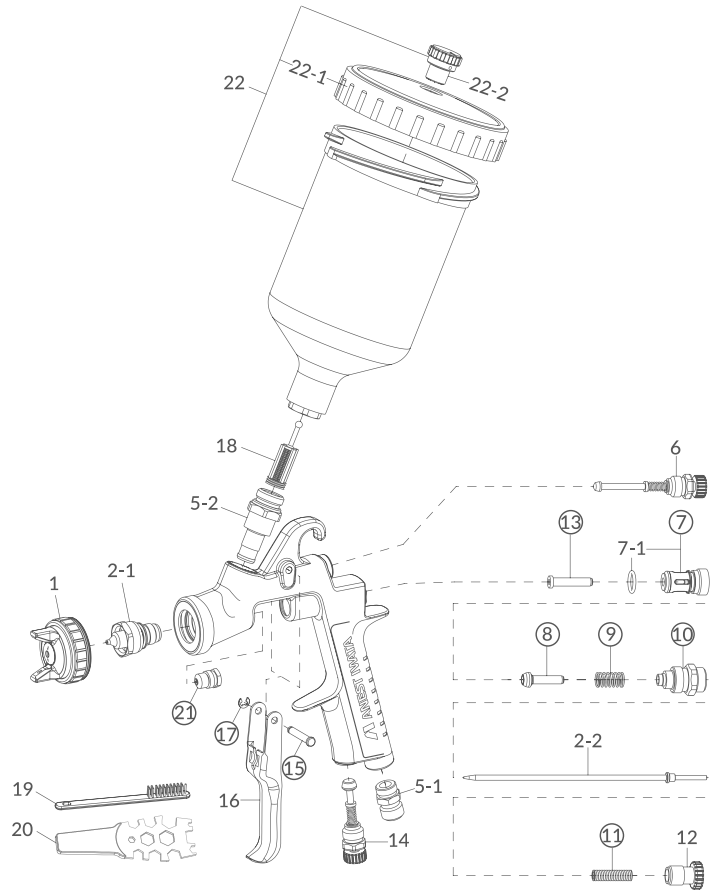


WS-400 Bellaria Spray Gun
PCG 6 PE CUP - 600 ml
Cleaning Brushes - Universal Spanner

SPARE PARTS



PCG-6 PE
GRAVITY CUP
600 ml



REF.	CODE	DESCRIPTION	€	REF.	CODE	DESCRIPTION	€
1	see table on left page	AIR CAP SET	110,70	19	W2COM6163	BRUSHES (5 pcs./1 pk.)	12,80
2-1+ 2-2	see table on left page	FLUID NOZZLE + FLUID NEEDLE SET	113,60	20	930171A0	UNIVERSAL SPANNER	8,80
5-1	03660300	AIR NIPPLE	11,10	22	14011001	PCG-6-PE GRAVITY CUP 600 ml	60,00
5-2	93650531	FLUID NIPPLE	75,80	22-1	04002300	LID	10,50
6	93611930	PATTERN ADJ. SET	45,50	22-2	04003320	NON DRIP	2,30
7	03843530	AIR VALVE SEAT SET	28,00				
7-1	06638008	'O' RING	2,90				
8	03591530	AIR VALVE	19,30				
9	03719530	AIR VALVE SPRING	8,20				
10	93844532	FLUID ADJ. GUIDE SET	42,50				
11	03593530	FLUID NEEDLE SPRING	8,20				
12	93611900	FLUID ADJ. KNOB	16,90				
13	93935430	AIR VALVE SHAFT	15,20				
14	93611940	AIR ADJ. SET	42,50				
15	03667360	TRIGGER STUD	4,60				
16	03517600	TRIGGER	21,50				
17	03912030	E STOPPER (2 pcs./1 pk.)	4,50				
18	03515500	FILTER 60 Mesh (250µ)	2,20				
21	03810620	NEEDLE PACKING SET	32,30				

OPTION AND ACCESSORIES		
CODE	DESCRIPTION	€
03708240	AIR CAP PACKING (WHITE)	3,20
03512600	AIR CAP "L" PACKING (BLACK)	5,60
W2KIT55UK	CLEANING KIT	77,10
W2COM6190	REPAIRING KIT 2 (includes: air valve seat set, air valve, air valve spring, fluid needle spring, fluid adj. guide set, air valve shaft, trigger stud, e stopper, needle packing cartridge).	107,50



AZ3 HTE-S IMPACT - STANDARD QUALITY

FEATURES



Standard Technology



High Transfer Efficiency



Easy Maintenance



Reliable



Made in Italy

Impact
AZ3 HTE-S

BLACK VERSION

HTE
HIGH TRANSFER EFFICIENCY



CHROMED VERSION

Standard Quality Spray Gun for Car Refinish Primer-coat applications. Equipped with the HTE air caps Technology, which leads to guarantee maximum performance with homogeneous and fine atomization.

TECHNICAL DATA

• Air Nipple: G1/4" • Fluid Nipple: G1/4"

model name	ø mm	cap	bar*	ml/min	NI/min	mm (in)
AZ3 HTE-S IMPACT	1.2	HTE-S1	2.5	250	375	190
	1.3			275		210
	1.4			290		230
	1.6	HTE-S2		300	362	250
	1.8			335		270
	2.0			375		

*Suggested gun inlet pressure during spraying.

ORDER INFORMATION

	ø 1,2	ø 1,3	ø 1,4	ø 1,6	ø 1,8	ø 2,0	€
AZ3 HTE-S IMPACT BLACK VERSION with 600 ml cup	W0SPG90AG12C	W0SPG90AG13C	W0SPG90AG14C	W0SPG90AG16C	W0SPG90AG18C	W0SPG90AG20C	195,00
AZ3 HTE-S IMPACT CHROME VERSION with 600 ml cup	W0SPG91AG12C	W0SPG91AG13C	W0SPG91AG14C	W0SPG91AG16C	W0SPG91AG18C	W0SPG91AG20C	195,00
AIR CAP SET (HTE-S1)	W2CAP90AG12			-			60,00
AIR CAP SET (HTE-S2)	-			W2CAP90AG16			60,00
FLUID NOZZLE & NEEDLE	W2ADU90AG12	W2ADU90AG13	W2ADU90AG14	W2ADU90AG16	W2ADU90AG18	W2ADU90AG20	40,80

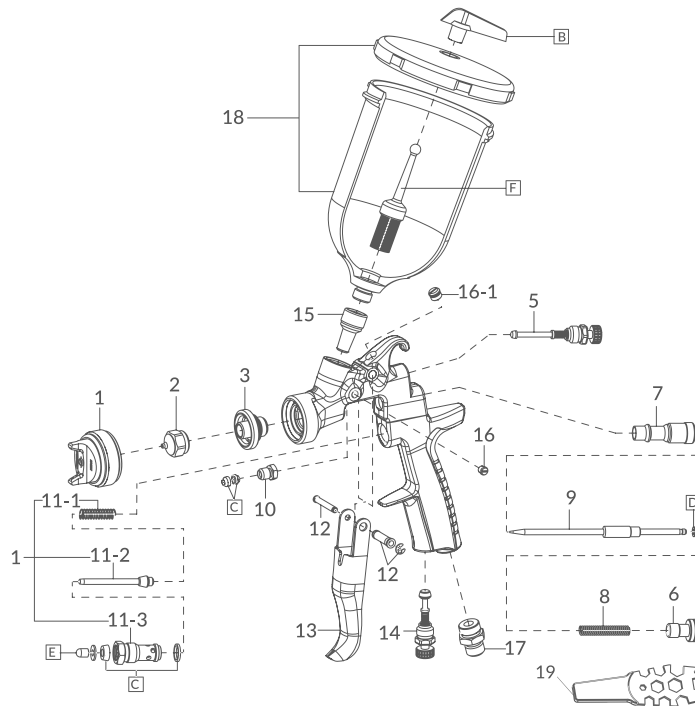
SET OPTIONS & CONTENTS

CARTON BOX



AZ3 HTE-S Impact Spray Gun
PCG-6P-2 AZ CUP - 600 ml
Universal Spanner

SPARE PARTS



REF.	CODE	DESCRIPTION	€	REF.	CODE	DESCRIPTION	€
1	see table on left page	AIR CAP SET	60,00	D	W2KIT33	SLIDE RING SET (10 pcs./1 pk.)	11,70
2+9	see table on left page	FLUID NOZZLE + FLUID NEEDLE SET	40,80	E	W2KIT37	AIR VALVE SHAFT TIP SET (3 pcs./1 pk.)	4,60
3	W3COM3050	NOZZLE HOLDER	28,60	18	W0CUPAZ90	PCG-6P-2-AZ GRAVITY CUP 600 ml	43,90
5	93842601	PATTERN ADJ. SET	40,80	B	W2KIT07	NON DRIP SET (5 pcs./1 pk.)	7,00
6	W2COM6077	FLUID NEEDLE ADJ. KNOB	3,50	F	W2KIT06	FILTER SET 50 MESH (297µ) (5 pcs./1 pk.)	22,10
7	W2010140900	FLUID NEEDLE GUIDE	3,50	19	930171A0	UNIVERSAL SPANNER	8,80
8	W2010140800	FLUID NEEDLE SPRING	2,50				
10	W2010140600	FLUID NEEDLE PACKING NUT	2,40				
11	W2COM6080	AIR VALVE SET	11,10				
11-1	W2010141700	AIR VALVE SPRING	1,80				
11-2	W2010130600	AIR VALVE	2,90				
11-3	W2010130500	AIR VALVE SEAT	5,20				
12	W2COM4041	TRIGGER STUD	4,60				
13	W2COM6051	TRIGGER	6,40				
14	93845531	AIR ADJ. SET	42,50				
15	W3COM5038	THREADED BUSHING	14,70				
16	W2COM5004	SCREW	0,60				
16-1	W2COM6050	PLUG	1,80				
17	W2COM5039	AIR NIPPLE	4,60				
C	W2KIT56	PACKING SET (3 pcs./1 pk.)	5,20				

OPTION AND ACCESSORIES

CODE	DESCRIPTION	€
W2KIT55UK	CLEANING KIT	77,10



AZ3 HTE2 HVLP - STANDARD QUALITY

FEATURES



Standard Technology



High Volume Low Pressure



High Transfer Efficiency



Easy Maintenance



Reliable










Made in Italy

Standard Quality Spray Gun for Car Refinish Spray Putty applications. With High Volume & Low Pressure Technology, is ideal for spraying filler and other high viscosity coatings

TECHNICAL DATA

• Air Nipple: G1/4" • Fluid Nipple: G1/4"

 model name	 ø mm	 cap	 bar*	 ml/min	 NI/min	 mm (in)
AZ3 HTE2 AV HVLP	2.0	HVLP	2.0	240	340	360

*Suggested gun inlet pressure during spraying.

HTE
HIGH TRANSFER EFFICIENCY



SPECIAL WRENCH ACCESSORIES



ORDER INFORMATION

	ø 2,0	€
AZ3 HTE2 HVLP with 600 ml CUP	W0SPG85AG20C	180,50
AIR CAP SET (HVLP)	W2CAP84AG	52,60
FLUID NOZZLE & NEEDLE SET	W2013031300	25,00

SET OPTIONS & CONTENTS

CARTON BOX

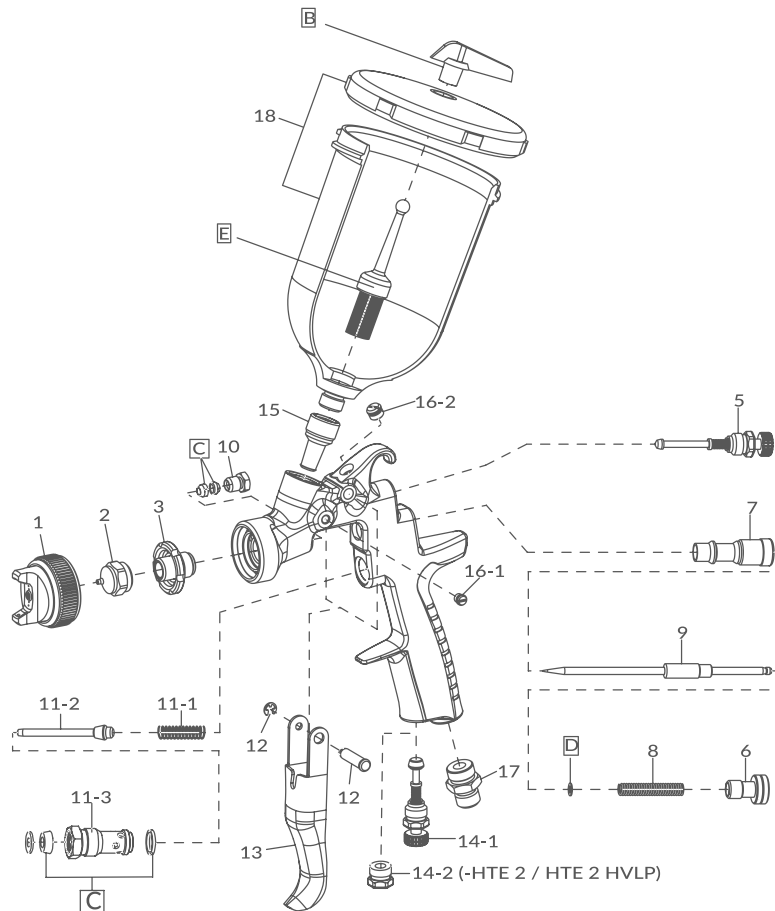


AZ3 HTE2 HVLP Spray Gun
PCG-6P-2B AZ CUP - 600 ml

SPARE PARTS



PCG-6B 2B-AZ
GRAVITY CUP
600 ml



REF.	CODE	DESCRIPTION	€	REF.	CODE	DESCRIPTION	€
1	see table on left page	AIR CAP SET	52,60	C	W2KIT56	PACKING SET (3 pcs./1 pk.)	5,20
2+9	see table on left page	FLUID NOZZLE + FLUID NEEDLE SET	25,00	D	W2KIT33	SLIDE RING SET (10 pcs./1 pk.)	11,70
3	W2010140200	NOZZLE HOLDER	8,20	18	W0012820100	PCG-6P-2B-AZ GRAVITY CUP 600 ml	15,70
5	93842601	PATTERN ADJ. SET	40,80	B	W2KIT07	NON DRIP SET (5 pcs./1 pk.)	7,00
6	W2010141000	FLUID NEEDLE ADJ. KNOB	2,40	E	W2KIT06	FILTER SET 50 Mesh (297µ) (5 pcs./1 pk.)	22,10
7	W2010140900	FLUID NEEDLE GUIDE	3,50				
8	W2010140800	FLUID NEEDLE SPRING	2,50				
10	W2010140600	FLUID NEEDLE PACKING NUT	2,40				
11	W2010120100	AIR VALVE SET	9,30				
11-1	W2010141700	AIR VALVE SPRING	1,80				
11-2	W2010130600	AIR VALVE	2,90				
11-3	W2010130500	AIR VALVE SEAT	5,20				
12	W2COM4001	TRIGGER STUD	4,10				
13	W2COM6051	TRIGGER	6,40				
14-1	93845531	AIR ADJ. SET	42,50				
14-2	93625370	PLUG	26,80				
15	W2013040100	THREADED BUSHING	2,40				
16-1	W2COM5004	SCREW	0,60				
16-2	W2COM6050	PLUG	1,80				
17	W2COM5000	AIR NIPPLE	3,50				

OPTION AND ACCESSORIES		
CODE	DESCRIPTION	€
W2KIT55UK	CLEANING KIT	77,10
VPACAZ3H2	BLACK PLASTIC CASE (for 1 SPRAY GUN and 1 CUP)	35,00
W2503500100	SPECIAL WRENCH	48,40



AZ3 HTE P.A.S. CONCEPT - STANDARD QUALITY

FEATURES



Standard Technology



Pressure Assisted Technology



High Transfer Efficiency



Easy Maintenance



Reliable



Made in Italy



High Viscosity



Standard Quality Spray Gun for Car Refinish Spray Putty coatings. Pressure Assisted System (P.A.S.) with special pressurized cup for the atomization of high viscosity materials such as thixotropic WB paints. High atomization performance. Mini pressure regulator for high precision cup pressurization.

HTE P1
HIGH TRANSFER EFFICIENCY

TECHNICAL DATA

• Air Nipple: G1/4" • Fluid Nipple: G1/4"

model name	ø mm	cap	bar*	ml/min	NI/min	mm (in)
AZ3 HTE P.A.S. CONCEPT	1.3	HTE-P1 CONCEPT	2.5	190	286	270
	1.5			260		320
	1.8			396		380
	2.0			410		400

METAL LID
STURDY & RESISTANT
for HEAVY DUTY USE

*Suggested gun inlet pressure during spraying.

ORDER INFORMATION

	ø 1,3	ø 1,5	ø 1,8	ø 2,0	€
AZ3 HTE P.A.S. with 600 ml. cup	W0SPG88AG13C	W0SPG88AG15C	W0SPG88AG18C	W0SPG88AG20C	328,90
AIR CAP SET (HTE-P1 CONCEPT)	W2CAP83AG13				60,00
FLUID NOZZLE & NEEDLE SET	W2ADU83AG13	W2ADU83AG15	W2ADU83AG18	W2ADU83AG20	40,80

SET OPTIONS & CONTENTS

CARTON BOX

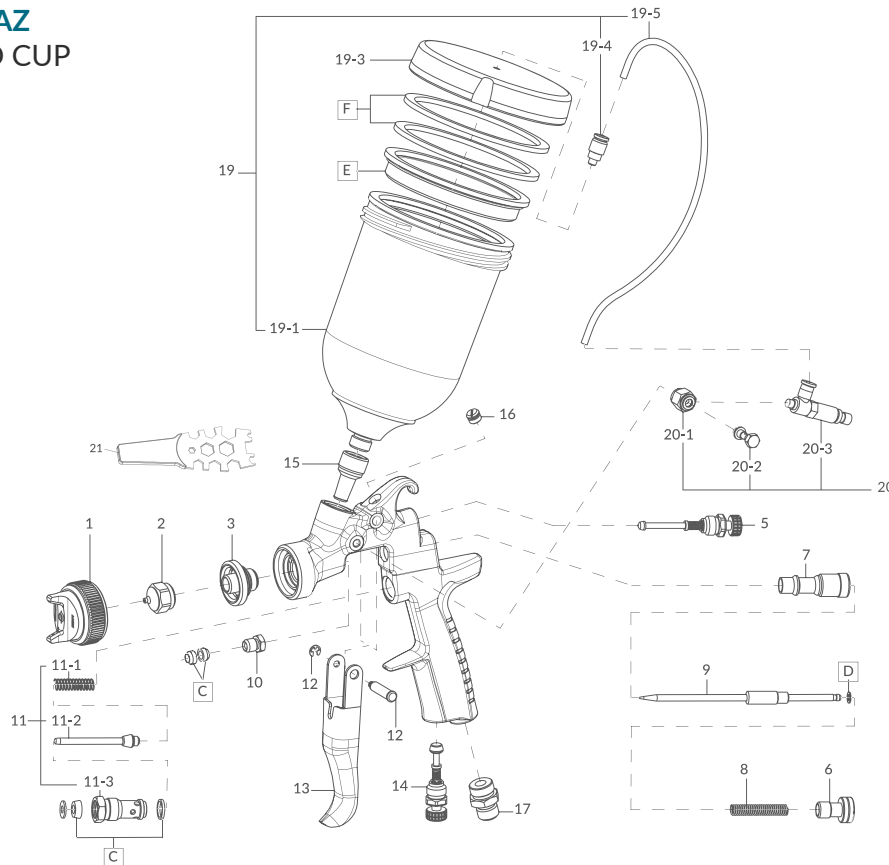


AZ3 HTE P.A.S. Concept Spray Gun
PCGP-6P-2P-AZ PRESSURIZED CUP 600 ml
Universal Spanner

SPARE PARTS



PCGP-6P 2B-AZ
PRESSURIZED CUP
600 ml



AZ3 HTE P.A.S. CONCEPT

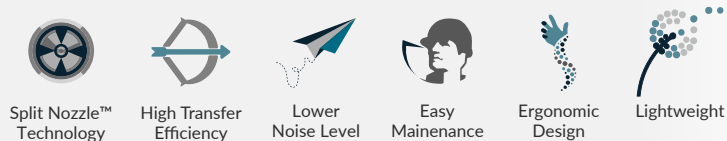
REF.	CODE	DESCRIPTION	€	REF.	CODE	DESCRIPTION	€
1	see table on left page	AIR CAP SET	60,00	19	W0CUPAZ85	PCGP-6P-2B-AZ PRESSURIZED CUP 600 ml	110,20
2+9	see table on left page	FLUID NOZZLE + FLUID NEEDLE SET	40,80	19-1	W3COM1037	PRESSURE CUP	46,70
3	W3COM3050	NOZZLE HOLDER	28,60	19-3	W3COM1031	LID	53,60
5	93842601	PATTERN ADJ. SET	40,80	19-4	W3COM5041	STRAIGHT MALE ADAPTOR	5,20
6	W2010141000	FLUID NEEDLE ADJ. KNOB	2,40	19-5	0010002700	AIR HOSE	2,90
7	W2010140900	FLUID NEEDLE GUIDE	3,50	E	W2KIT38	NON DRIP SET (3 pcs.)	5,90
8	W2010140800	FLUID NEEDLE SPRING	2,50	F	W2KIT39	LID PACKING SET (4 pcs.)	7,50
10	W2010140600	FLUID NEEDLE PACKING NUT	2,40	20	W2SUB6066	PRESSURE REGULATOR SET	57,10
11	W2010120100	AIR VALVE SET	9,30	20-1	W3COM4030	ORIENTING RING	2,90
11-1	W2010141700	AIR VALVE SPRING	1,80	20-2	W3COM4033	BANJO STEM SINGLE	2,40
11-2	W2010130600	AIR VALVE	2,90	20-3	W3COM5032	PRESSURE REGULATOR	47,80
11-3	W2010130500	AIR VALVE SEAT	5,20	21	930171A0	UNIVERSAL SPANNER	8,80
12	W2COM4001	TRIGGER STUD	4,10				
13	W2COM6051	TRIGGER	6,40				
14	93845531	AIR ADJ. SET	42,50				
15	W3COM5038	THREADED BUSHING	14,70				
16	W2COM6050	PLUG	1,80				
17	W2COM5000	AIR NIPPLE	3,50				
C	W2KIT56	PACKING SET (3 pcs./1 pk.)	5,20				
D	W2KIT33	SLIDE RING SET (10 pcs./1 pk.)	11,70				

OPTION AND ACCESSORIES		
CODE	DESCRIPTION	€
W2KIT55UK	CLEANING KIT	77,10



W-300 WB - PREMIUM QUALITY

FEATURES



Premium Quality VOC-Compliant Professional Spray Gun for Car Refinish Smart Repair applications. Equipped with the exclusive Split Nozzle™ Technology. Very Fine atomization specific for Water Base coatings.

TECHNICAL DATA

• Air Nipple: G1/4" • Fluid Nipple: G1/4"

model name	ø mm	cap	bar*	ml/min	NI/min	mm (in)
W-300 WB - 101G	1.0	WB1	1.5	65	190	230
W-300 WB - 121G	1.2			100		240
W-300 WB - 141G	1.4			125		250

*Suggested gun inlet pressure during spraying.



ORDER INFORMATION

	ø 1,0	ø 1,2	ø 1,4	€
W-300 WB - PRO KIT (600 ml CUP)	13241518P	13241528P	13241508P	412,00
W-300 WB - PRO KIT (200 ml CUP)	13241515P	13241525P	13241505P	409,80
AIR CAP SET (WB1)		93592621		112,60
FLUID NOZZLE & NEEDLE SET	93602620	93591620	93595620	142,70

SET OPTIONS & CONTENTS

PRO KIT CARTON BOX - A



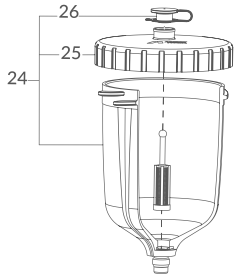
W-300 WB Spray Gun
PC-G600P-2 CUP - 600 ml
Cleaning Brushes - Universal Spanner

PRO KIT CARTON BOX - B

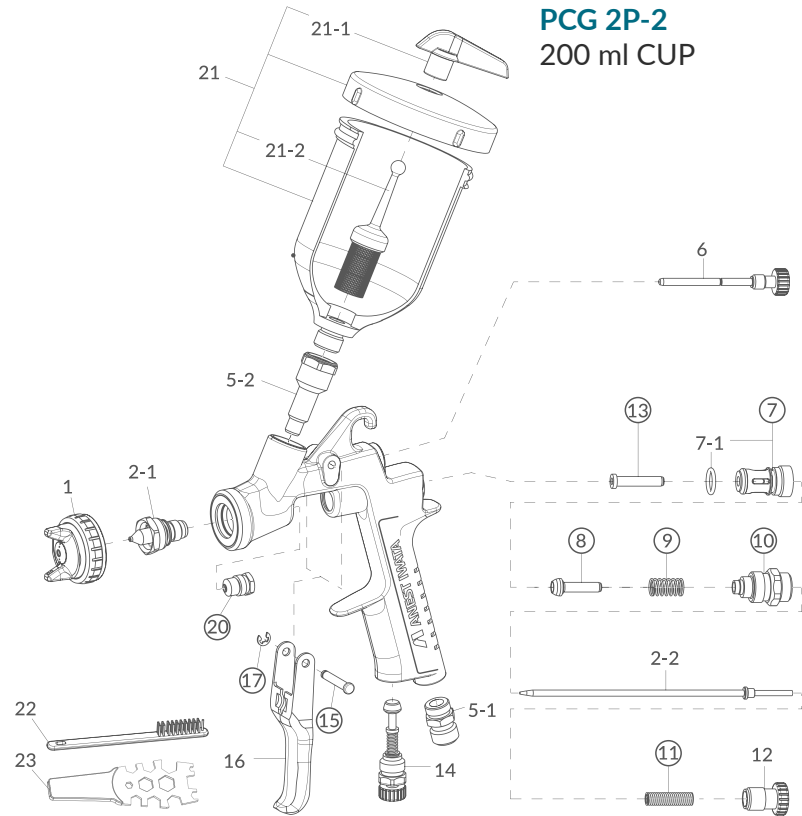


W-300 WB Spray Gun
PCG 2P-2 CUP - 200 ml
Cleaning Brushes - Universal Spanner

PC-G600P-2 600 ml CUP



PCG 2P-2 200 ml CUP



REF.	CODE	DESCRIPTION	€	REF.	CODE	DESCRIPTION	€
1	see table on left page	AIR CAP SET WB1	112,60	21	W0CUPAZ40IN	PCG-2P-2 GRAVITY CUP 200 ml	40,80
2-1 + 2-2	see table on left page	FLUID NOZZLE + FLUID NEEDLE SET	142,70	21-1	W2KIT07	NON DRIP SET (5 pcs./1pk.)	7,00
5-1	03660300	AIR NIPPLE	11,10	21-2	W2KIT06	FILTER 50 Mesh (297µ) (5 pcs./1pk.)	22,10
5-2	03575620	FLUID NIPPLE	121,10	22	W2COM6163	BRUSHES (5 pcs./1 pk.)	12,80
6	03577620	PATTERN ADJ. SET	62,00	23	930171A0	UNIVERSAL SPANNER	8,80
7	03843530	AIR VALVE SEAT SET	28,00	24	14019100	PC-G600P-2 GRAVITY CUP 600 ml	65,90
7-1	06638008	'O'RING	2,90	25	94011220	LID (for 600 ml cup)	36,10
8	03591530	AIR VALVE	19,30	26	94011230	NON DRIP (for 600 ml cup)	1,90
9	03719530	AIR VALVE SPRING	8,20				
10	93844532	FLUID ADJ. GUIDE SET	42,50				
11	03593530	FLUID NEEDLE SPRING	8,20				
12	93594532	FLUID ADJ. KNOB	16,90				
13	93935430	AIR VALVE SHAFT	15,20				
14	93845531	AIR ADJ. SET	42,50				
15	03667360	TRIGGER STUD	4,60				
16	03597530	TRIGGER	18,20				
17	03912030	E STOPPER (2 pcs./1 pk.)	4,50				
20	03810620	NEEDLE PACKING SET	32,30				

OPTION AND ACCESSORIES		
CODE	DESCRIPTION	€
03608320	AIR CAP PACKING (WHITE)	4,90
03576530	AIR CAP "L" PACKING (BLACK)	4,90
W2KIT55UK	CLEANING KIT	77,10
W2COM6190	REPAIRING KIT 2 (includes: air valve seat set, air valve, air valve spring, fluid needle spring, air valve shaft, fluid adj. guide set, trigger stud, e stopper, needle packing cartridge).	107,50
94011240	FILTER 60 Mesh (250µ)	2,80



W-300 - STANDARD QUALITY

FEATURES



Standard Technology



High Transfer Efficiency



Lower Noise Level



Easy Maintenance



Ergonomic Design



Lightweight

Standard Quality VOC-Compliant Professional Spray Gun for Car Refinish Smart Repair applications. Equipped with conventional Standard Nozzle Technology. Fine atomization.

TECHNICAL DATA

• Air Nipple: G1/4" • Fluid Nipple: G1/4"

model name	ø mm	cap	bar*	ml/min	NI/min	mm (in)
W-300-081G	0.8	E1	2.5	60	80	100
W-300-101G	1.0	K1		100	145	130
W-300-132G	1.3	H2		160	225	175

*Suggested gun inlet pressure during spraying.



ORDER INFORMATION

	ø 0,8	ø 1,0	ø 1,3	€
W-300 PRO KIT (600 ml CUP)	13241828P	13241818P	13241808P	332,20
AIR CAP SET	E1 93689610	-	-	99,10
AIR CAP SET	-	-	H2 93696610	99,10
AIR CAP SET	-	K1 93735610	-	99,10
FLUID NOZZLE & NEEDLE SET	93590621	93600621	-	130,50
FLUID NOZZLE & NEEDLE SET	-	-	93666610P	130,50

SET OPTIONS & CONTENTS

PRO KIT CARTON BOX - A



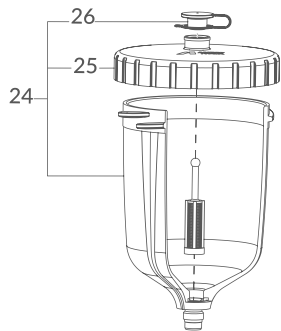
W-300 Spray Gun
PC-G600P-2 CUP - 600 ml
Cleaning Brushes - Universal Spanner

PRO KIT CARTON BOX - B

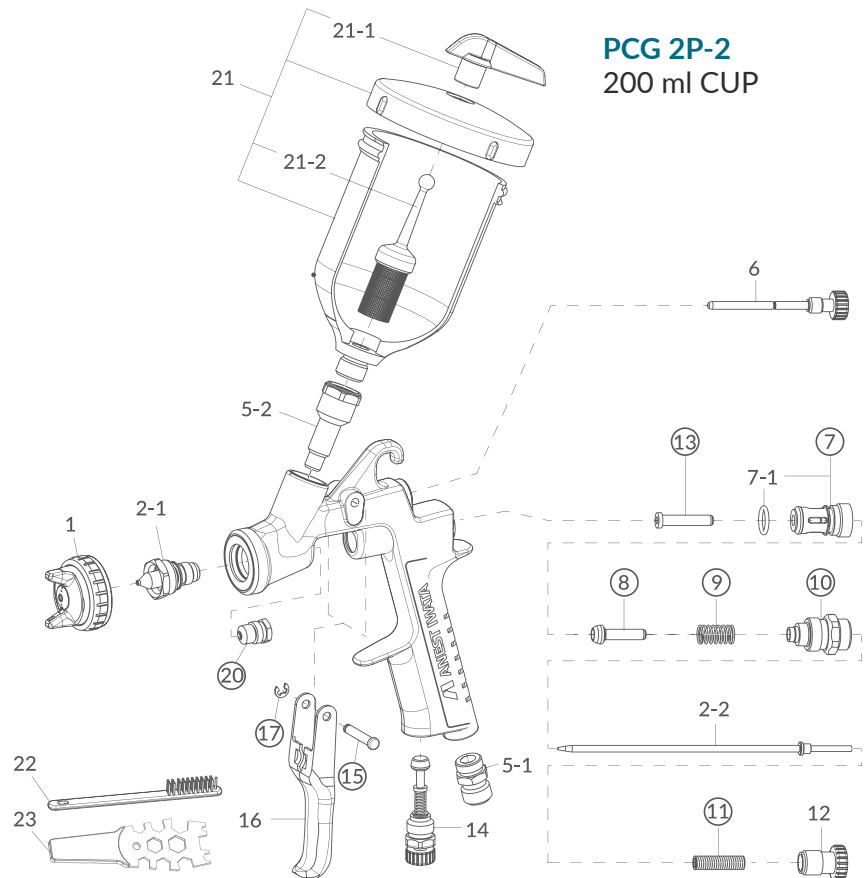


W-300 Spray Gun
PCG 2P-2 CUP - 200 ml
Cleaning Brushes - Universal Spanner

PC-G600P-2 600 ml CUP



PCG 2P-2 200 ml CUP



REF.	CODE	DESCRIPTION	€
1	see table on left page	AIR CAP SET E1	99,10
1	see table on left page	AIR CAP SET H2	99,10
1	see table on left page	AIR CAP SET K1/ H4	99,10
2-1 + 2-2	see table on left page	FLUID NOZZLE + FLUID NEEDLE SET	130,50
2-1 + 2-2	see table on left page	FLUID NOZZLE + FLUID NEEDLE SET	130,50
5-1	03660300	AIR NIPPLE	11,10
5-2	03575620	FLUID NIPPLE	121,10
6	03577620	PATTERN ADJ. SET	62,00
7	03843530	AIR VALVE SEAT SET	28,00
7-1	06638008	'O'RING	2,90
8	03591530	AIR VALVE	19,30
9	03719530	AIR VALVE SPRING	8,20
10	93844532	FLUID ADJ. GUIDE SET	42,50
11	03593530	FLUID NEEDLE SPRING	8,20
12	93594532	FLUID ADJ. KNOB	16,90
13	93935430	AIR VALVE SHAFT	15,20
14	93845531	AIR ADJ. SET	42,50
15	03667360	TRIGGER STUD	4,60
16	03597530	TRIGGER	18,20
17	03912030	E STOPPER (2 pcs./1 pk.)	4,50

REF.	CODE	DESCRIPTION	€
20	03810620	NEEDLE PACKING SET	32,30
21	W0CUPAZ40IN	PCG-2P-2 GRAVITY CUP 200 ml	40,80
21-1	W2KIT07	NON DRIP SET (5 pcs./1pk.)	7,00
21-2	W2KIT06	FILTER 50 Mesh (297µ) (5 pcs./1pk.)	22,10
22	W2COM6163	BRUSHES (5 pcs./1 pk.)	12,80
23	930171A0	UNIVERSAL SPANNER	8,80
24	14019100	PC-G600P-2 GRAVITY CUP 600 ml	65,90
25	94011220	LID (for 600 ml cup)	36,10
26	94011230	NON DRIP (for 600 ml cup)	1,90

OPTION AND ACCESSORIES

CODE	DESCRIPTION	€
03608320	AIR CAP PACKING (WHITE)	4,90
03576530	AIR CAP "L" PACKING (BLACK)	4,90
W2KIT55UK	CLEANING KIT	77,10
W2COM6190	REPAIRING KIT 2 (includes: air valve seat set, air valve, air valve spring, fluid needle spring, air valve shaft, fluid adj. guide set, trigger stud, e stopper, needle packing cartridge).	107,50
94011240	FILTER 60 Mesh (250µ)	2,80



W-300 WB UV CURED PAINTS - PREMIUM QUALITY

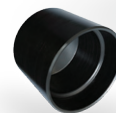
FEATURES



Premium Quality Professional Spray Gun, specific for UV cured paints applications, equipped with the exclusive Split Nozzle™ Technology and with a Black cup and an anti-UV air cap cover to prevent paint exposure to UV rays. Very fine atomization.



AIR CAP PROTECTION



TECHNICAL DATA

• Air Nipple: G1/4" • Fluid Nipple: G1/4"

nome modello	ø mm	ugello aria	bar*	ml/min	NI/min	mm (in)
W-300 WB - 101G	1.0	WB1	1.5	65	190	230
W-300 WB - 121G	1.2			100		240

*Suggested gun inlet pressure during spraying.

ORDER INFORMATION

	ø 1,0	ø 1,2	€
W-300 WB UV - PRO KIT (200 ml CUP)	130709A0	130068A0	412,00
FLUID NOZZLE + FLUID NEEDLE SET	93592621	930149A0	112,60
AIR CAP SET (WB1)	93591620		142,70

SET OPTIONS & CONTENTS

PRO KIT CARTON BOX

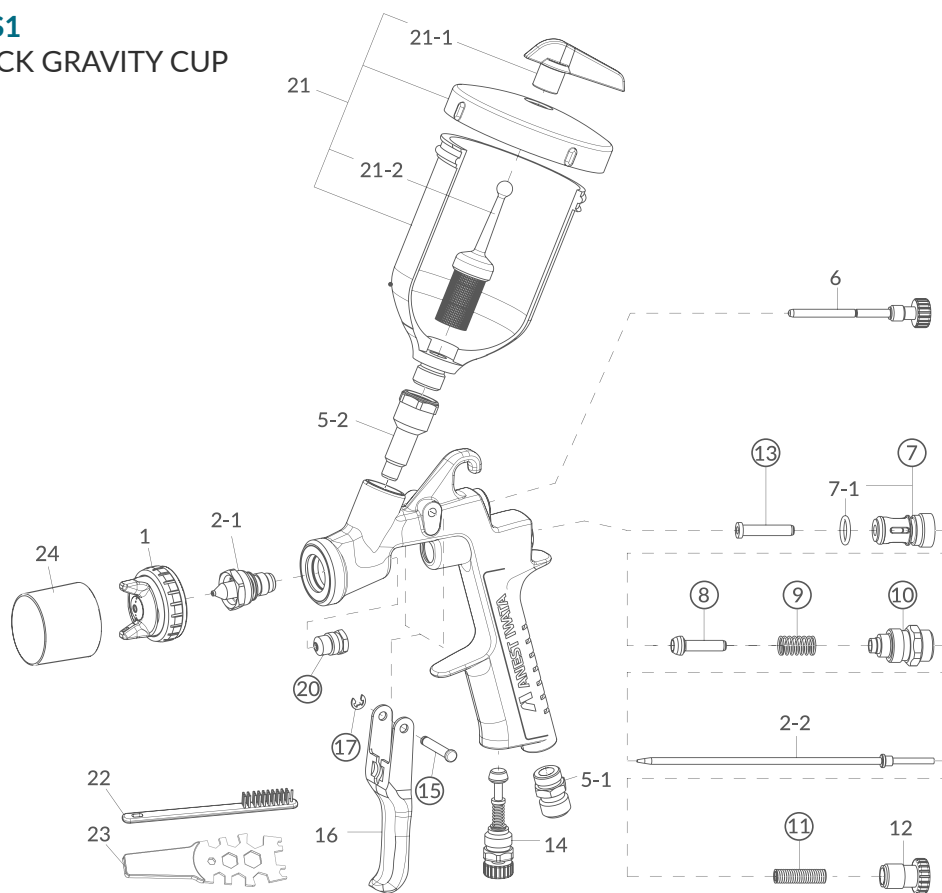


W-300 WB UV Spray Gun
PCG-2P-2-S1 CUP - 200 ml Black Gravity Cup
Cleaning Brushes - Universal Spanner

SPARE PARTS



PCG-2P-2-S1 200 ml BLACK GRAVITY CUP



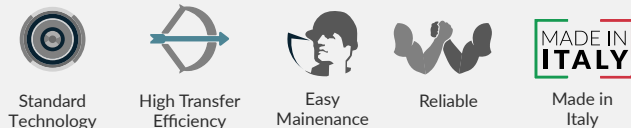
REF.	CODE	DESCRIPTION	€	REF.	CODE	DESCRIPTION	€
1	see table on left page	AIR CAP SET	112,60	21	140025A0	PCG-2P-2-S1 BLACK GRAVITY CUP 200 ml with Fluid Joint in INOX	37,30
2-1 + 2-2	see table on left page	FLUID NOZZLE + FLUID NEEDLE SET	142,70	21-1	W2KIT07	NON DRIP SET (5 pcs./1pk.)	7,00
5-1	03660300	AIR NIPPLE	11,10	21-2	W2KIT06	FILTER 50 Mesh (297µ) (5 pcs./1pk.)	22,10
5-2	03575620	FLUID NIPPLE	121,10	22	W2COM6163	BRUSHES (5 pcs./1 pk.)	12,80
6	930151A0	PATTERN ADJ. SET	53,50	23	930171A0	UNIVERSAL SPANNER	8,80
7	03843530	AIR VALVE SEAT SET	28,00	24	930147A0	AIR CAP PROTECTION	18,10
7-1	06638008	O'RING	2,90				
8	03591530	AIR VALVE	19,30				
9	03719530	AIR VALVE SPRING	8,20				
10	93844532	FLUID ADJ. GUIDE SET	42,50				
11	03593530	FLUID NEEDLE SPRING	8,20				
12	930150A0	FLUID ADJ. KNOB	18,00				
13	93935430	AIR VALVE SHAFT	15,20				
14	930152A0	AIR ADJ. SET	42,30				
15	03667360	TRIGGER STUD	4,60				
16	930197A0	TRIGGER	17,50				
17	03912030	E STOPPER (2 pcs./1 pk.)	4,50				
20	03810620	NEEDLE PACKING SET	32,30				

OPTION AND ACCESSORIES		
CODE	DESCRIPTION	€
03608320	AIR CAP PACKING (WHITE)	4,90
03576530	AIR CAP "L" PACKING (BLACK)	4,90
W2KIT55UK	CLEANING KIT	77,10
W2COM6190	REPAIRING KIT 2 (includes: air valve seat set, air valve, air valve spring, fluid needle spring, air valve shaft, fluid adj. guide set, trigger stud, e stopper, needle packing cartridge).	107,50
94011240	FILTER 60 Mesh (250µ)	2,80



AZ4 HTE-S IMPACT JUNIOR - STANDARD QUALITY

FEATURES



Standard Quality Spray Gun, ideal for both water and solvent base paints. Designed for Car Refinish application to achieve small and medium repairs on a vehicle body. Fine atomization.

TECHNICAL DATA

• Air Nipple: G1/4" • Fluid Nipple: G1/4"

model name	ø mm	cap	bar*	ml/min	NI/min	mm (in)
AZ4 HTE-S	0.8	AZ4-1	1.0	50	105	120
	1.0			65		150
	1.2			80		160
	1.3	AZ4-2	2.5	140	235	150

*Suggested gun inlet pressure during spraying.

Impact Junior
AZ4 HTE-S

200 ml
GRAVITY CUP



70 ml
GRAVITY CUP

ORDER INFORMATION

	ø 0,8	ø 1,0	ø 1,2	ø 1,3	€
AZ4 HTE-S with 200 ml CUP	13000710	13000720	13000730	13000740	127,90
AZ4 HTE-S with 70 ml CUP	13001130	13001140	13001150	-	127,90
AIR CAP SET (AZ4-1)		93003740		93003750	36,80
FLUID NOZZLE & NEEDLE SET	93004580	93004590	93004600	93004610	25,00

SET OPTIONS & CONTENTS

CARTON BOX - A



AZ4 HTE-S Spray Gun
PCG-2P-2 CUP - 200 ml

CARTON BOX - B

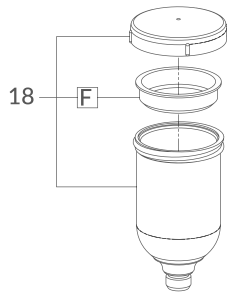


AZ4 HTE-S Spray Gun
PCG-1P-2 - 70 ml

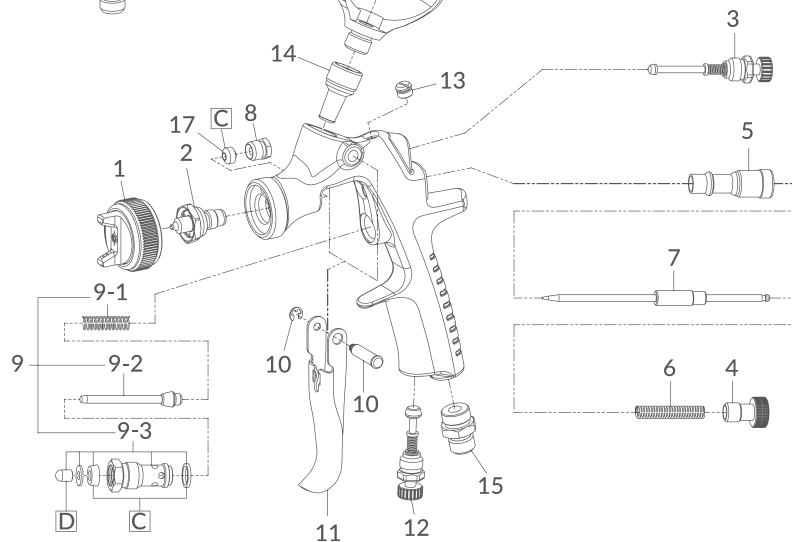
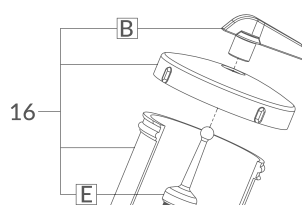
SPARE PARTS



PCG-1P-2
GRAVITY CUP
70 ml



PCG-2P-2
GRAVITY CUP
200 ml



REF.	CODE	DESCRIPTION	€	REF.	CODE	DESCRIPTION	€
1	see table on left page	AIR CAP SET	36,80	16	W0CUPAZ40IN	PCG-2P-2 GRAVITY CUP 200 ml	40,80
2+7	see table on left page	FLUID NOZZLE + FLUID NEEDLE SET	25,00	B	W2KIT07	NON DRIP SET (5pcs./1 pk.)	7,00
3	93842601	PATTERN ADJUSTMENT SET	40,80	E	W2KIT06	FILTER SET 50 Mesh (297µ) (5pcs./1 pk.)	22,10
4	W2010141000	FLUID NEEDLE ADJ. KNOB	2,40	18	13001200	PCG-1P-2 GRAVITY CUP 70 ml	22,70
5	W2010140900	FLUID NEEDLE GUIDE	3,50	F	W2KIT52	NON DRIP SET (3 pcs./1 pk.)	7,50
6	W2010140800	FLUID NEEDLE SPRING	2,50				
8	W2COM3011	NEEDLE PACKING NUT	2,40				
9	W2COM6080	AIR VALVE SET	11,10				
9-1	W2010141700	AIR VALVE SPRING	1,80				
9-2	W2010130600	AIR VALVE	2,90				
9-3	W2010130500	AIR VALVE SEAT	5,20				
10	W2COM4001	TRIGGER STUD	4,10				
11	93003810	TRIGGER	6,40				
12	93845531	AIR ADJUSTMENT SET	42,50				
13	W2COM6050	PLUG	1,80				
14	W3COM5038	THREADED BUSHING	14,70				
15	W2COM5000	AIR NIPPLE	3,50				
17	W2COM2006	NEEDLE PACKING	5,20				
C	93005550	PACKING SET (3 pcs./1 pk.)	5,20	OPTION AND ACCESSORIES			
D	W2KIT37	AIR VALVE SHAFT TIP SET (5 pcs./1 pk.)	4,60	CODE	DESCRIPTION	€	
				W2KIT55UK	CLEANING KIT	77,10	



LPH-80 (LVLP) - PREMIUM QUALITY

FEATURES



Low Volume
Low Pressure



Spot
Repair



Lower
Noise Level



Easy
Maintenance



Lightweight

Premium Quality Spray Gun for Spot Repair applications. Specially designed for small repair jobs and hard-to-reach areas.

TECHNICAL DATA

• Air Nipple: G1/4" • Fluid Nipple: G1/8"

model name	ø mm	cap	bar*	ml/min	NI/min	mm (in)
LPH-80 - 044G	0.4	E4	1.0	10	60	55
LPH-80 - 064G	0.6			30		80
LPH-80 - 084G	0.8			45		100
LPH-80 - 104G	1.0			60		130
LPH-80 - 124G	1.2			75		140

*Suggested gun inlet pressure during spraying.

250 ml
GRAVITY CUP



70 ml
GRAVITY CUP

ORDER INFORMATION

	ø 0,4	ø 0,6	ø 0,8	ø 1,0	ø 1,2	€
LPH-80 - (with 250 ml CUP)	13180707P	13180717P	13180747P	13180727P	13180737P	310,00
LPH-80 - (with 70 ml CUP)	131807072P	131807172P	131807472P	131807272P	131807372P	310,00
LPH-80 - (with 250 ml +70 ml CUPS)	131807071	131807171	131807471	131807271	131807371	320,00
AIR CAP SET (E4)	93662600					79,30
FLUID NOZZLE SET	93570600	93568600	93761530	93560600	93760530	76,90
FLUID NEEDLE SET	93891600	93890600		93886600		32,00

SET OPTIONS & CONTENTS

CARTON BOX



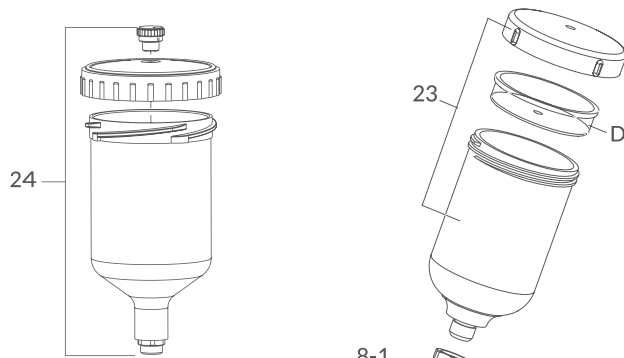
LPH-80 Spray Gun
PCG-3P-1 CUP - 250 ml or PCG-1P-1 CUP 70 ml
Cleaning Brushes

SPARE PARTS

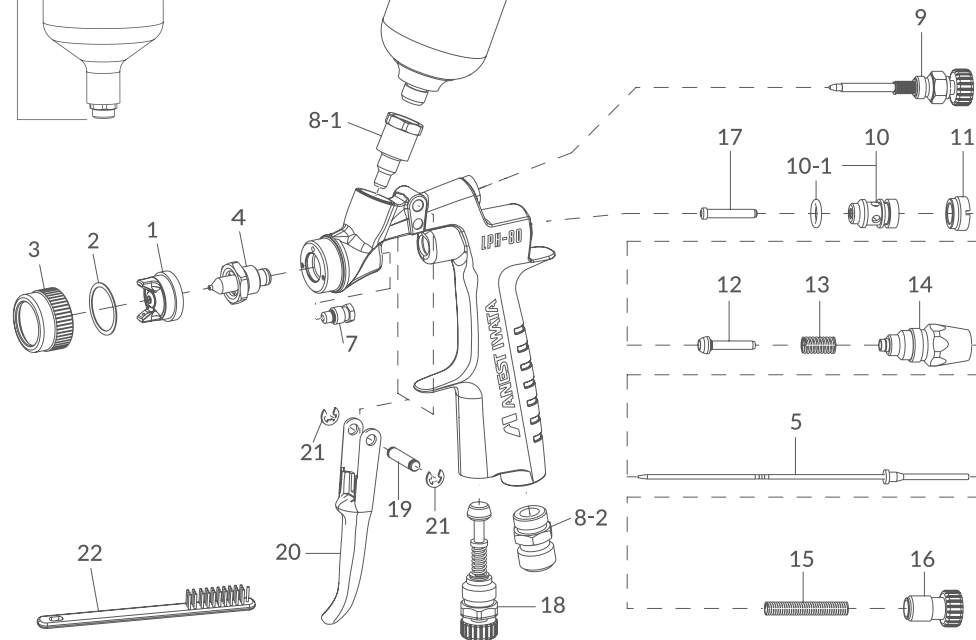


LPH-80 (LVL/P)

PCG-3P-1
250 ml
GRAVITY CUP



PCG-1P-1
70 ml
GRAVITY CUP



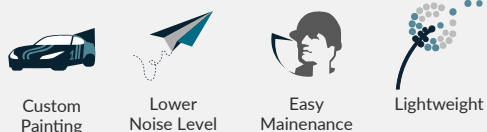
REF.	CODE	DESCRIPTION	€	REF.	CODE	DESCRIPTION	€
1	see table on left page	AIR CAP SET	79,30	20	03162890	TRIGGER	14,70
4	see table on left page	FLUID NOZZLE SET	76,90	21	03912030	E STOPPER (2 pcs./1 pk.)	4,50
5	see table on left page	FLUID NEEDLE SET	32,00	22	W2COM6163	BRUSHES (5 pcs./1 pk.)	12,80
2	03558600	AIR CAP PACKING	3,40	23	13678980	PCG-1P-1 GRAVITY CUP 70 ml + NON DRIP SET	22,70
3	03559600	AIR CAP COVER	18,60	D	W2KIT52	NON DRIP SET (3 pcs./1 pk.)	7,50
7	93940890	NEEDLE PACKING SET	28,00	24	VPE250	PCG-3P-1 GRAVITY CUP 250 ml	16,90
8-1	93753530	FLUID NIPPLE	50,70				
8-2	03660300	AIR NIPPLE	11,10				
9	93748530	PATTERN ADJ. SET	45,50				
10	03912880	AIR VALVE SEAT SET	44,80				
10-1	06638005	'O'RING	1,80				
11	03011880	AIR VALVE SEAT SCREW	5,90				
12	03013880	AIR VALVE	20,40				
13	03012880	AIR VALVE SPRING	4,50				
14	03936880	FLUID ADJ. GUIDE SET	41,40				
15	03015880	FLUID NEEDLE SPRING	8,80				
16	93754530	FLUID ADJ. KNOB	10,50				
17	03006880	AIR VALVE SHAFT	15,70				
18	93845531	AIR ADJ. SET	42,50				
19	03167890	TRIGGER STUD	7,00				

OPTION AND ACCESSORIES		
CODE	DESCRIPTION	€
W2KIT55UK	CLEANING KIT	77,10
W2COM6191	REPAIRING KIT 3 (includes: air valve seat set, air valve, air valve spring, fluid needle spring, air valve shaft, fluid adj. guide set, trigger stud, e stopper, needle packing cartridge).	104,50
93280881	SPANNER for LPH-80	15,70



RG-3L - ROUND PATTERN - HIGH QUALITY

FEATURES



High Quality Round Pattern Spray Gun for Custom Painting applications. Specially designed for decorative painting. Ideal for modeling, contours painting and graphics.

TECHNICAL DATA

• Air Nipple: G1/4" • Fluid Nipple: G1/4"

model name	ø mm	cap	bar*	ml/min	NI/min	mm (in)
RG-3L 1	0.4	1	2.5	15	30	25
RG-3L 2	0.6	2		35		35
RG-3L 3	1.0	3		80		35

*Suggested gun inlet pressure during spraying.

200 ml GRAVITY CUP



130 ml GRAVITY CUP

ORDER INFORMATION

	ø 0,4	ø 0,6	ø 1,0	€
RG-3L SPRAY GUN	13058600	13058610	13058620	300,00
RG-3L SPRAY GUN with 200 ml CUP	13058606	13058616	13058626	336,60
RG-3L SPRAY GUN with 130 ml CUP	13058605	13058615	13058625	352,50
AIR CAP SET	93022890	93025880	93026880	44,80
FLUID NOZZLE SET	93042880	93041880	93040890	43,80
FLUID NEEDLE SET	93910880	93937880	93938880	39,70

ORDER INFORMATION

	ø 0,6	-	-	€
RG-3LS3 SPRAY GUN	13058650	-	-	342,00
AIR CAP SET	93023881	-	-	102,65
FLUID NOZZLE SET	93041880	-	-	43,80
FLUID NEEDLE SET	93937880	-	-	39,70

SET OPTIONS & CONTENTS

CARTON BOX

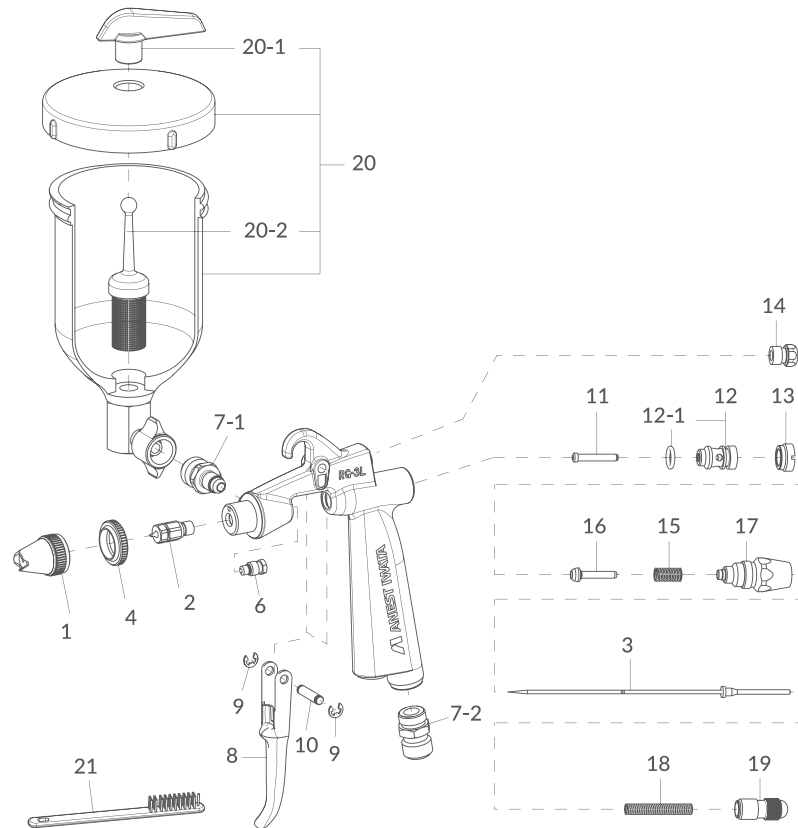


RG-3L Spray Gun
PC-52 AG CUP - 200 ml or PC-61 CUP - 130 ml
Cleaning Brushes

SPARE PARTS



PC-52 AG
200 ml
SIDE GRAVITY
CUP



REF.	CODE	DESCRIPTION	€	REF.	CODE	DESCRIPTION	€
1	see table on left page	AIR CAP SET RG-3L	102,65	21	W2COM6163	BRUSHES (5 pcs./1 pk.)	12,80
1	see table on left page	AIR CAP SET RG-3L-S3	102,65	20	14018186F	PC-52 AG SIDE GRAVITY CUP 200 ml	38,40
2	see table on left page	FLUID NOZZLE SET	43,80		14018190	PC 61 SIDE GRAVITY CUP 130 ml	73,90
3	see table on left page	FLUID NEEDLE SET	39,70				
4	03028890	JAM NUT	18,60				
6	93940890	NEEDLE PACKING SET	28,00				
7-1	93005891	FLUID NIPPLE	19,30				
8	03162890	TRIGGER	14,70				
9	03912030	E STOPPER	4,50				
10	03167890	TRIGGER STUD	7,00				
11	03006880	AIR VALVE SHAFT	15,70				
12	03912880	AIR VALVE SEAT SET	44,80				
12-1	06638005	O'RING	1,80				
13	03011880	AIR VALVE SEAT SCREW	5,90				
14	93027880	PLUG	15,70				
15	03012880	AIR VALVE SPRING	4,50				
16	03013880	AIR VALVE	20,40				
17	03936880	FLUID ADJ. GUIDE SET	41,40				
18	03015880	FLUID NEEDLE SPRING	8,80				
19	03017880	FLUID ADJ. KNOB	11,10				
OPTION AND ACCESSORIES							
	CODE	DESCRIPTION		CODE	DESCRIPTION		€
	W2KIT55UK	CLEANING KIT					77,10
	93280881	SPANNER FOR RG-3L					15,70



CUSTOM MICRON - PREMIUM QUALITY

FEATURES

Iwata Custom Micron Series airbrushes is specific for extreme detail spraying; each Custom Micron Head System is custom matched and hand-tuned to meet Iwata's rigorous performance standards for superior atomization.

ORDER INFORMATION

	C1	C2
CUSTOM MICRON CM-C2 Plus (9 ml cup)	-	ICM 4502
CUSTOM MICRON CM-C2 (9 ml cup)	-	ICM 4002
CUSTOM MICRON CM-B2 (1.8 ml cup)	ICM 2002	-
CUSTOM MICRON TAKUMI (3.8 ml cup)	ICM350T	-

Custom Micron

AIRBRUSH SERIES



ECLIPSE SERIES - HIGH QUALITY

FEATURES

High flow Iwata Eclipse Series airbrushes are designed to easily atomize heavier sprayable medium from a controlled fine line to controlled wide spray. This makes Eclipse Series highly versatile and suited to almost any project.

ORDER INFORMATION

	E3	E5
ECLIPSE HP-CS	ECL 4500	-
ECLIPSE TAKUMI	ECL350T	-
ECLIPSE HP-BS	ECL 2500	-
ECLIPSE HP-BCS	-	ECL 2000

Eclipse

AIRBRUSH SERIES



NEO SERIES - STANDARD QUALITY

FEATURES

Iwata Revolution Series and NEO for Iwata Series airbrushes deliver soft, effortless coverage and quality atomization at low air pressures. Fine atomization is achieved using the smallest air compressors, making these airbrushes a simple choice for medium spray applications and for anyone wanting to start airbrushing for the first time.

ORDER INFORMATION

	N3	N5
NEO HP-CN	N 4500	-
NEO HP-BCN	-	N 2000

neo

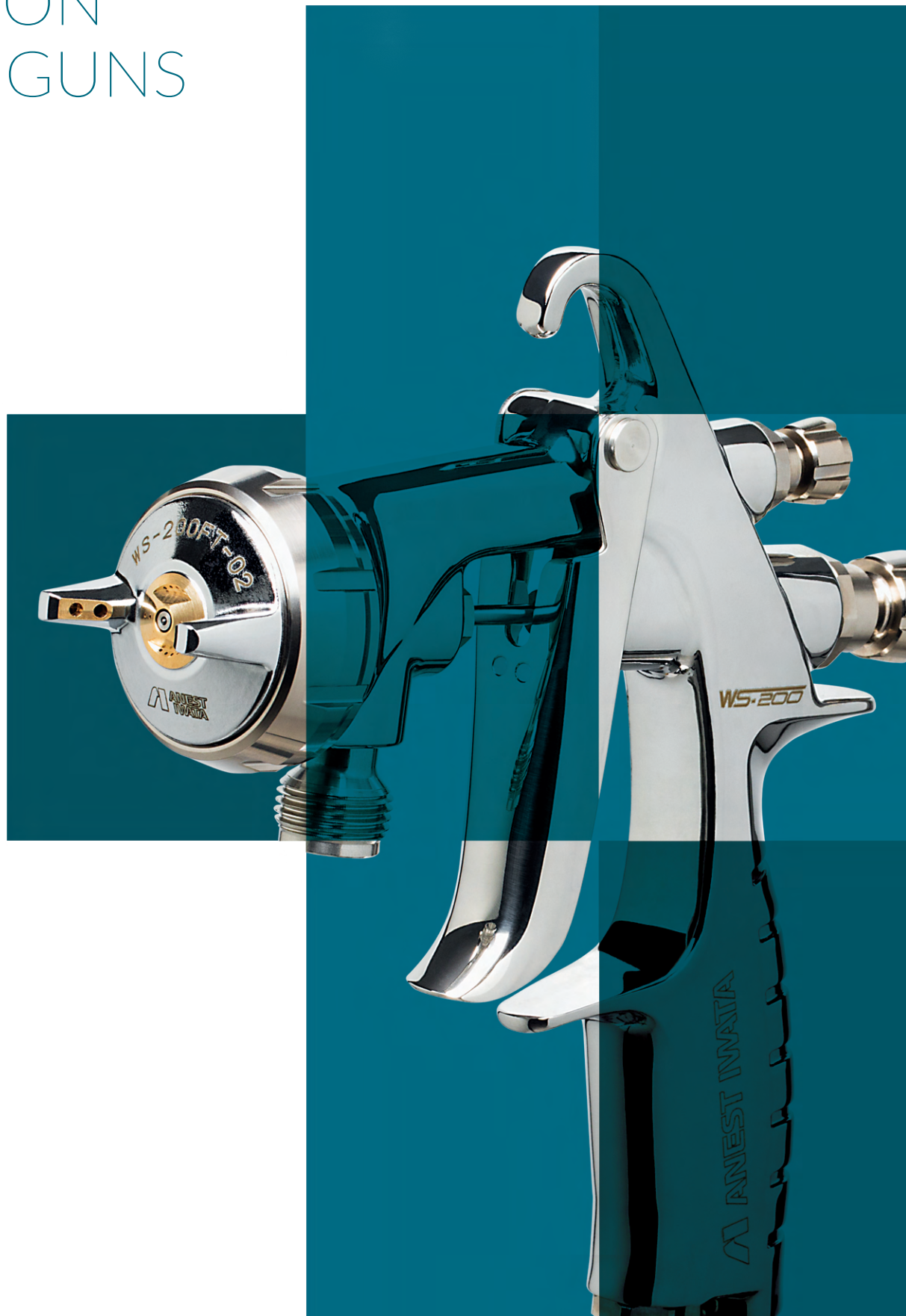
for iwata

AIRBRUSH SERIES



2

PRESSION
SPRAY GUNS



WS-200 SP - PREMIUM QUALITY

FEATURES








						
Split Nozzle™ Technology	Designed by Pininfarina	High Transfer Efficiency	Lower Noise Level	Easy Maintenance	Ergonomic Design	Lightweight



Premium Quality New Generation Pressure Spray Gun, special for industrial applications, is equipped with the exclusive Split Nozzle™ Technology.

TECHNICAL DATA

• Air Nipple: G1/4" • Fluid Nipple: G3/8"

 model name	 ø mm	 cap	 bar*	 ml/min	 NI/min	 mm (in)
WS-200SP-0801	0.8	WS-200SP-01	2.5	200	435	210
WS-200SP-1001	1.0			250		230
WS-200SP-1201	1.2			300		240
WS-200SP-1401	1.4			350		255
WS-200SP-1601	1.6			400		265
WS-200SP-1801	1.8					

*Suggested gun inlet pressure during spraying.

ORDER INFORMATION

	ø 0,8	ø 1,0	ø 1,2	ø 1,4	ø 1,6	ø 1,8	€
WS-200 SP SPRAY GUN	13000120	13000130	13000140	13000680	13000690	13000700	631,30
AIR CAP SET (WS-200 SP-01)	93001300						117,20
FLUID NOZZLE & NEEDLE SET	93007240	93007490	93007550	93007620	93007650	93007660	226,70

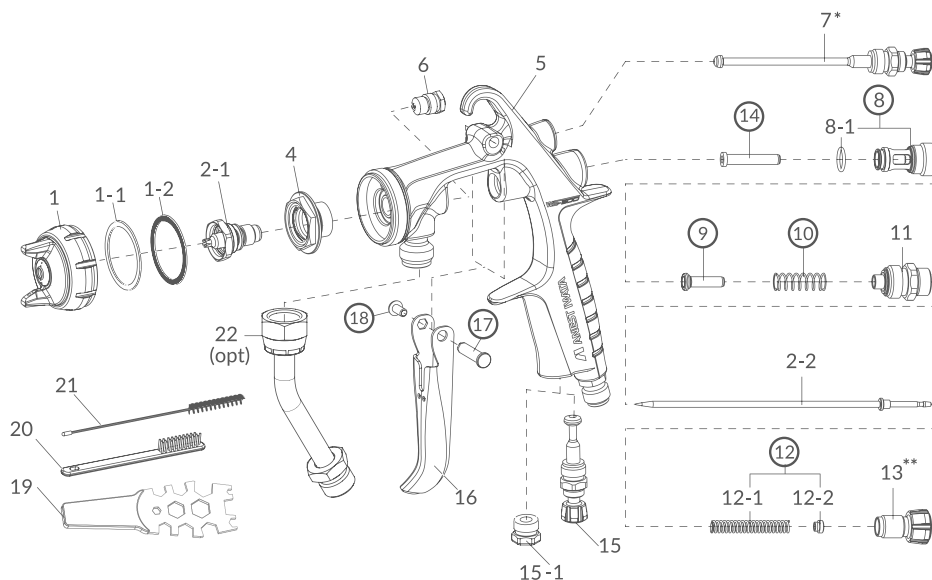
SET OPTIONS & CONTENTS

CARTON BOX



WS-200 SP Spray Gun
Universal Spanner
Cleaning Brushes

SPARE PARTS



1-1
Air Cap
Packing White
Seals air cap to
tightening nut

1-2
Air Cap Packing Transparent
Seals air cap to gun body
(transparent seal must be visible
from the inside of the air cap)

TIPP
Change always
both air cap
packings
as a couple

13.1
Lock
Fluid
Adjustment*

7.1
Quick
Fan Pattern
Control*

7.2
Push Pull
Pattern
Adjustment Set*

7.3
Lock
Pattern
Adjustment*

19.1 Spanner
For Lock Pattern
Adjustment and
Lock Fluid
Adjustment



REF.	CODE	DESCRIPTION	€	REF.	CODE	DESCRIPTION	€
1	see table on left page	AIR CAP SET WS-200SP-01	117,20	15	93001801	AIR ADJUSTMENT SET	37,90
1-1	93505330	AIR CAP PACKING (WHITE)	5,50	15-1	93625370	PLUG	26,80
1-2	93001330	AIR CAP PACKING (TRANSPARENT)	5,60	16	93001820	TRIGGER SET	23,30
2-1 + 2-2	see table on left page	FLUID NOZZLE + FLUID NEEDLE SET WS-200SP	226,70	17	93001870	TRIGGER STUD	8,80
2-2	93001380	SPECIAL NEEDLE with TIP in DELRIN ϕ 0.8; 1.0; 1.2	107,90	18	93001960	HEX. SOCKET BUTTON BOLT	2,90
2-2	93005700	SPECIAL NEEDLE with TIP in DELRIN ϕ 1.4; 1.6; 1.8	107,90	19	930171A0	UNIVERSAL SPANNER	8,80
4	93007750	BAFFLE RING SET (BAFFLE RING + PACKING)	154,10	19-1	93003340	SPANNER for LOCK PATTERN ADJUSTMENT and for LOCK FLUID ADJUSTMENT	16,30
6	03810620	NEEDLE PACKING SET	32,30	20	W2COM6163	BRUSHES (5 pcs.)	12,80
7	93001561	PATTERN ADJUSTMENT	44,80		93005690	REPAIRING KIT WS-200 includes: Needle packing set ref. 6; Air valve seat set ref.8; Air valve ref.9; Air valve spring ref.10; Fluid adj. guide set ref.11; Needle spring ref. 12; Air valve shaft ref.14; Trigger stud ref.17; Hex. socket button bolt ref.18	138,00
7-1	93003300	QUICK PATTERN ADJUSTMENT (opt.)*	174,30				
7-2	93003270	PUSH PATTERN ADJUSTMENT (opt.)*	155,00	21	W2COM6162	TWISTED BRUSHES ϕ 10 mm (5 pcs.)	15,20
7-3	93003240	LOCK PATTERN ADJUSTMENT (opt.)*	125,90	22	W2COM5052	FLUID TUBE 3/8" Stainless Steel (opt.)	57,70
8	93001640	AIR VALVE SEAT SET	35,00	23	93001540	AIR NIPPLE G1/4"	9,80
8-1	93001680	O RING	4,10	OPTION AND ACCESSORIES			
9	93001690	AIR VALVE	23,90	REF.	CODE	DESCRIPTION	€
10	93001700	AIR VALVE SPRING	13,60		PJQ-03P	QUICK JOINT NIPPLE 3/8" IG	162,00
11	93001710	FLUID ADJUSTMENT GUIDE SET	41,40		PJQ-03S	QUICK JOINT 3/8" AG	249,50
12	93002820	NEEDLE SPRING SET	21,50		14375800	"L" ROTATING AIR HOSE JOINT	25,00
12-1	93593530	NEEDLE SPRING	7,50		001004050	TWIN HOSE (Air & Fluid) 1/4"-1/4" mt. 5	89,60
12-2	93001760	NEEDLE SPRING PACKING	3,50		001004075	TWIN HOSE (Air & Fluid) 1/4"-1/4" mt. 7,5	109,80
13	93001780	FLUID ADJUSTMENT KNOB	16,90		001004100	TWIN HOSE (Air & Fluid) 1/4"-1/4" mt. 10	134,10
13-1	93003200	LOCK FLUID ADJUSTMENT (opt.)*	65,90				
14	93001790	AIR VALVE SHAFT	20,90				



WS-200 FT - PREMIUM QUALITY

FEATURES



Premium Quality New Generation Pressure Spray Gun, special for industrial applications, is equipped with traditional Flat Tip Nozzle (Round nozzle) delivering high quality result.

TECHNICAL DATA

• Air Nipple: G1/4" • Fluid Nipple: G3/8"

model name	ø mm	cap	bar*	ml/min	NI/min	mm (in)	
WS-200FT-0801	0.8	WS-200FT-01	2.5	200	380	240	
WS-200FT-1001	1.0					210	
WS-200FT-1201	1.2					240	
WS-200FT-1401	1.4			300		475	215
WS-200FT-1601	1.6						250
WS-200FT-1801	1.8						255
WS-200FT-0802	0.8	WS-200FT-02	3.0	200	475		215
WS-200FT-1002	1.0						250
WS-200FT-1202	1.2						255
WS-200FT-1402	1.4			350		285	270
WS-200FT-1601	1.6						285
WS-200FT-1802	1.8						285

*Suggested gun inlet pressure during spraying.

ORDER INFORMATION

	ø 0,8	ø 1,0	ø 1,2	ø 1,4	ø 1,6	ø 1,8	€
WS-200FT-01 SPRAY GUN	13000150	13000160	13000170	13000600	13000610	13000620	487,30
WS-200FT-02 SPRAY GUN	13000180	13000190	13000200	13000630	13000640	13000650	487,30
AIR CAP SET (WS-20FT-01)	93002070						110,70
AIR CAP SET (WS-20FT-02)	93002190						110,70
FLUID NOZZLE & NEEDLE SET	93002180	93002150	93002130	93003420	93003480	93003500	113,60

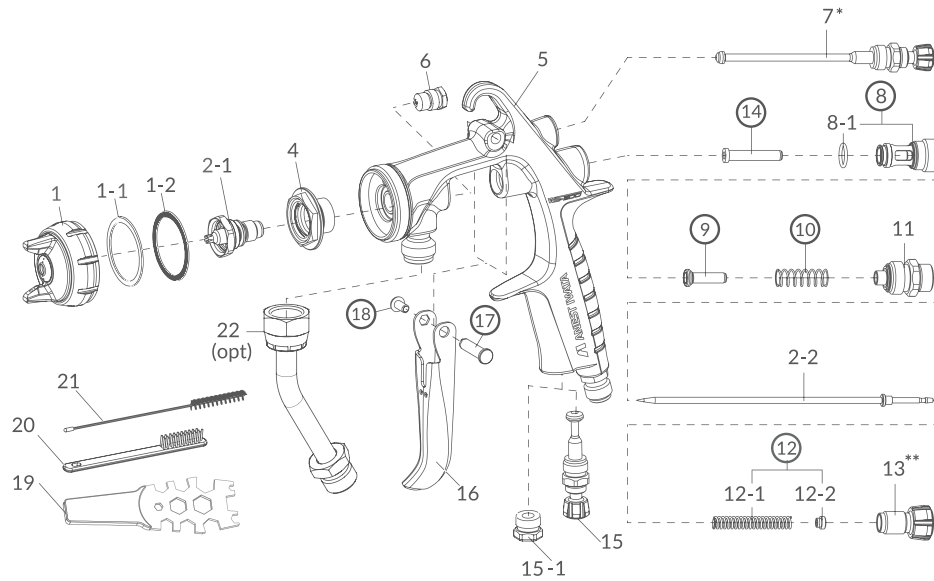
SET OPTIONS & CONTENTS

CARTON BOX



WS-200 FT Spray Gun
Universal Spanner
Cleaning Brushes

SPARE PARTS



1-1
Air Cap
Packing White
Seals air cap to
tightening nut

1-2
Air Cap Packing Transparent
Seals air cap to gun body
(transparent seal must be visible
from the inside of the air cap)

TIPP
Change always
both air cap
packings as a couple

13.1
Lock
Fluid
Adjustment*





7.1
Quick
Fan Pattern
Control*

7.2
Push Pull
Pattern
Adjustment Set*

7.3
Lock
Pattern
Adjustment*

19.1 Spanner
For Lock Pattern
Adjustment and
Lock Fluid
Adjustment

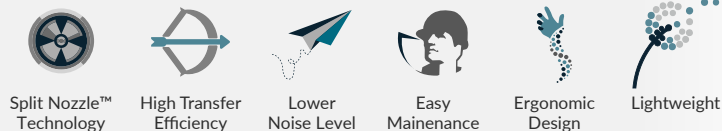


REF.	CODE	DESCRIPTION	€	REF.	CODE	DESCRIPTION	€	
1	see table on left page	AIR CAP SET WS-200FT-01 and WS-200FT-02	110,70	15	93001801	AIR ADJUSTMENT SET	37,90	
1-1	93505330	AIR CAP PACKING (WHITE)	5,50	15-1	93625370	PLUG	26,80	
1-2	93001330	AIR CAP PACKING (TRANSPARENT)	5,60	16	93001820	TRIGGER SET	23,30	
2-1 + 2-2	see table on left page	FLUID NOZZLE + FLUID NEEDLE SET WS-200FT	113,60	17	93001870	TRIGGER STUD	8,80	
2-2	93001380	SPECIAL NEEDLE with TIP in DELRIN \varnothing 0.8; 1.0; 1.2	107,90	18	93001960	HEX. SOCKET BUTTON BOLT	2,90	
2-2	93005700	SPECIAL NEEDLE with TIP in DELRIN \varnothing 1.4; 1.6; 1.8	107,90	19	930171A0	UNIVERSAL SPANNER	8,80	
4	93007750	BAFFLE RING SET (BAFFLE RING + PACKING)	154,10	19-1	93003340	SPANNER for LOCK PATTERN ADJUSTMENT and for LOCK FLUID ADJUSTMENT	16,30	
6	03810620	NEEDLE PACKING SET	32,30	20	W2COM6163	BRUSHES (5 pcs.)	12,80	
7	93001561	PATTERN ADJUSTMENT	44,80	 93005690 REPAIRING KIT WS-200 includes: Needle packing set ref. 6; Air valve seat set ref.8; Air valve ref.9; Air valve spring ref.10; Fluid adj. guide set ref.11; Needle spring ref. 12; Air valve shaft ref.14; Trigger stud ref.17; Hex. socket button bolt ref.18	21	W2COM6162	TWISTED BRUSHES \varnothing 10 mm (5 pcs.)	15,20
7-1	93003300	QUICK PATTERN ADJUSTMENT (opt.)*	174,30		22	W2COM5052	FLUID TUBE 3/8" Stainless Steel (opt.)	57,70
7-2	93003270	PUSH PATTERN ADJUSTMENT (opt.)*	155,00	23	93001540	AIR NIPPLE G1/4"	9,80	
7-3	93003240	LOCK PATTERN ADJUSTMENT (opt.)*	125,90	OPTION AND ACCESSORIES				
8	93001640	AIR VALVE SEAT SET	35,00	REF.	CODE	DESCRIPTION	€	
8-1	93001680	O RING	4,10		PJQ-03P	QUICK JOINT NIPPLE 3/8" IG	162,00	
9	93001690	AIR VALVE	23,90		PJQ-03S	QUICK JOINT 3/8" AG	249,50	
10	93001700	AIR VALVE SPRING	13,60		14375800	"L" ROTATING AIR HOSE JOINT	25,00	
11	93001710	FLUID ADJUSTMENT GUIDE SET	41,40		001004050	TWIN HOSE (Air & Fluid) 1/4"-1/4" mt. 5	89,60	
12	93002820	NEEDLE SPRING SET	21,50		001004075	TWIN HOSE (Air & Fluid) 1/4"-1/4" mt. 7,5	108,90	
12-1	93593530	NEEDLE SPRING	7,50		001004100	TWIN HOSE (Air & Fluid) 1/4"-1/4" mt. 10	134,10	
12-2	93001760	NEEDLE SPRING PACKING	3,50					
13	93001780	FLUID ADJUSTMENT KNOB	16,90					
13-1	93003200	LOCK FLUID ADJUSTMENT (opt.)*	65,90					
14	93001790	AIR VALVE SHAFT	20,90					



W-200 INTEGRA SP - HIGH QUALITY

FEATURES



W-200 INTEGRA



High Quality New Generation Pressure Spray Gun, born from the renewed design of previous W-200 version, it's the result of a perfect harmony between experience and technology, equipped with the exclusive Split Nozzle™ Technology is special for industrial applications.

TECHNICAL DATA

• Air Nipple: G1/4" • Fluid Nipple: G3/8"

model name	ø mm	cap	bar*	ml/min	NI/min	mm (in)
W-200SP-08WB1P	0.8	WB1	2.0 ~ 2.5	200	425 ~ 531	360
W-200SP-10WB1P	1.0			250		
W-200SP-12WB1P	1.2			300		
W-200SP-14WB1P	1.4			350		
W-200SP-08WBSP	0.8	WBS	2.0 ~ 2.5	200	463 ~ 578	310
W-200SP-10WBSP	1.0			250		
W-200SP-12WBSP	1.2			300		
W-200SP-14WBSP	1.4			350		

*Suggested gun inlet pressure during spraying.

ORDER INFORMATION

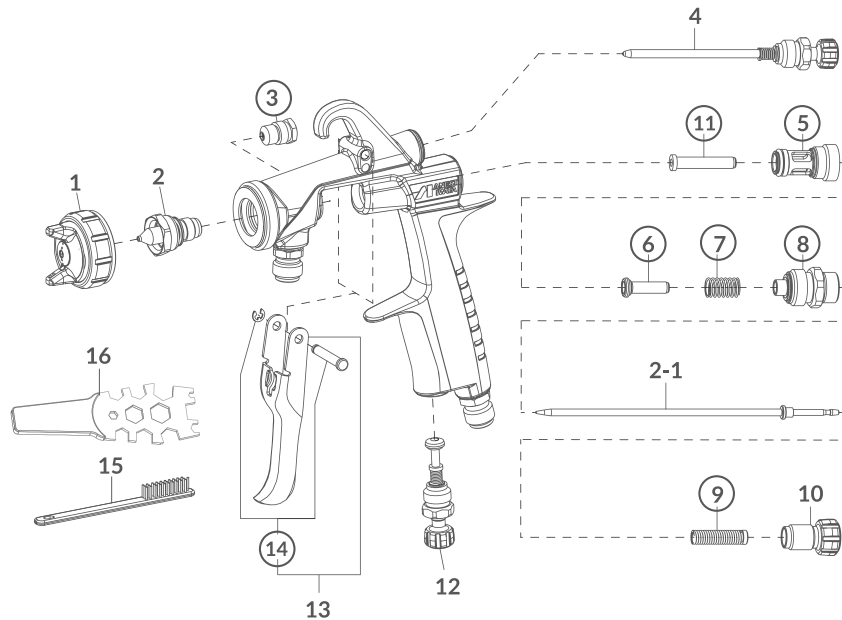
	ø 0,8	ø 1,0	ø 1,2	ø 1,4	€
W-200 INTEGRA SPRAY GUN - WB1	130451A0	130452A0	130453A0	130454A0	550,40
W-200 INTEGRA SPRAY GUN - WBS	130455A0	130456A0	130457A0	130458A0	550,40
AIR CAP SET - WB1	93017310				129,50
AIR CAP SET - WBS	93017430				129,50
FLUID NOZZLE & NEEDLE SET	93012030	93012020	93012010	93017330	217,00

SET OPTIONS & CONTENTS

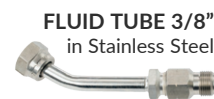
CARTON BOX



W-200 INTEGRA SP Pressure Spray Gun
Universal Spanner
Cleaning Brushes



OPTIONS & ACCESSORIES:



REF.	CODE	DESCRIPTION	€
1	see table on left page	AIR CAP SET	129,50
1-1	93017700	CAP COVER PACKING SET	11,10
1-2	93016870	AIR CAP RING Blue	48,60
2 + 2-1	see table on left page	FLUID NOZZLE + FLUID NEEDLE SET	217,00
3	03810620	NEEDLE PACKING SET	32,30
4	93011630	PATTERN ADJUSTMENT	47,80
5	93001640	AIR VALVE SEAT SET	35,00
6	93001690	AIR VALVE	23,90
7	93001700	AIR VALVE SPRING	13,60
8	93012630	FLUID ADJUSTMENT GUIDE SET	38,80
9	93002820	NEEDLE SPRING SET	21,50
10	93001790	AIR VALVE SHAFT	20,90
11	93001790	AIR VALVE SHAFT	20,90
12	93012660	AIR ADJUSTMENT SET	39,60
13	93014500	TRIGGER SET	27,40
14	93013810	TRIGGER STUD	8,10

OPTION AND ACCESSORIES

CODE	DESCRIPTION	REF.	€
W2COM6163	BRUSHES (5 PCS/1PK)	15	12,80
930171A0	UNIVERSAL SPANNER	16	8,80
930356A0	REPAIRING KIT includes: needle packing set (3), air valve seat set (5), air valve (6), air valve spring (7), fluid adj. guide set (8), needle spring set (9), air valve shaft (11), trigger stud set (14).		155,00
14375800	"L" ROTATING AIR HOSE JOINT		25,00
W-200-X1	QUICK FAN PATTERN ADJUSTMENT		174,30
93895611	PUSH-PULL PATTERN ADJUSTMENT SET		174,30
93605600	LOCK FLUID ADJUSTMENT		54,80
03841601	LOCK PATTERN ADJUSTMENT		116,00
93280082	SPANNER for Lock Fluid Adj. & Lock Pattern Adj.		6,30
W2COM5052	FLUID TUBE 3/8" Stainless Steel		57,70
001004050	TWIN HOSE (Air and Fluid) 1/4"-1/4" - 5 m		89,60
001004075	TWIN HOSE (Air and Fluid) 1/4"-1/4" - 7.5 m		109,80
001004100	TWIN HOSE (Air and Fluid) 1/4"-1/4" - 10 m		134,10



W-200 INTEGRA FT - HIGH QUALITY

FEATURES



Standard Technology



High Transfer Efficiency



Lower Noise Level



Easy Maintenance



Ergonomic Design



Lightweight

W-200 INTEGRA



High Quality New Generation Pressure Spray Gun, born from the renewed design of previous W-200 version, it's the result of a perfect harmony between experience and technology, equipped with traditional Flat Tip Nozzle, is special for industrial applications.

TECHNICAL DATA

• Air Nipple: G1/4" • Fluid Nipple: G3/8"

model name	ø mm	cap	bar*	ml/min	NI/min	mm (in)
W-200FT-08LV2P	0.8	LV2	2.0 ~ 2.5	70	240 ~ 300	140
W-200FT-10LV2P	1.0			110		170
W-200FT-12LV2P	1.2			150		220
W-200FT-15LV2P	1.5			250		270
W-200FT-16LV2P	1.6			300		280
W-200FT-18LV2P	1.8			400		290
W-200FT-08G2P	0.8	G2P	3.0 ~ 3.5	500	500 ~ 583	400
W-200FT-10G2P	1.0					
W-200FT-12G2P	1.2					

*Suggested gun inlet pressure during spraying.

ORDER INFORMATION

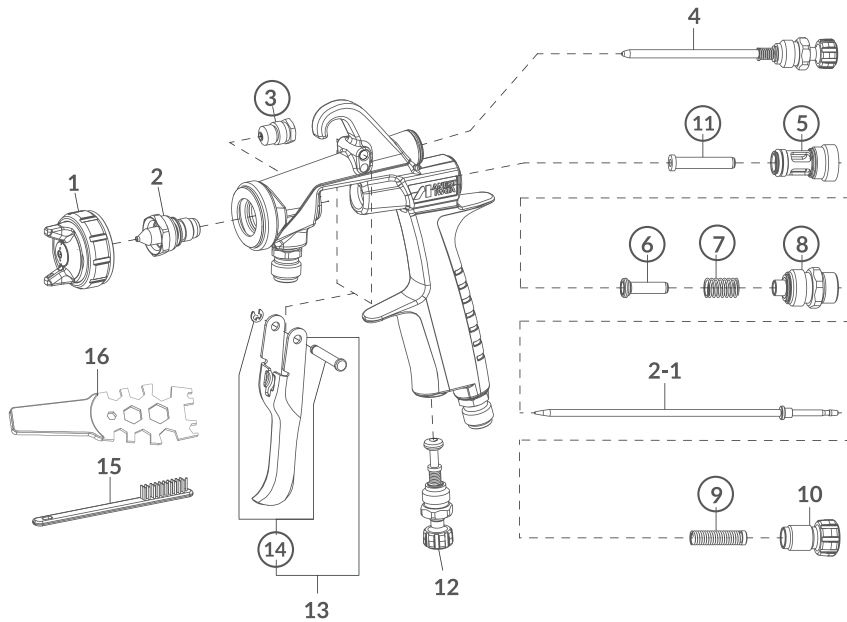
	ø 0,8	ø 1,0	ø 1,2	ø 1,5	ø 1,6	ø 1,8	€
W-200 INTEGRA SPRAY GUN - LV2	130459A0	130460A0	130461A0	130463A0	130506A0	130507A0	394,30
W-200 INTEGRA SPRAY GUN - G2P	130464A0	130465A0	130466A0	-	-	-	404,20
AIR CAP SET - LV2	93017360						110,10
AIR CAP SET - G2P	93011670			-	-	-	116,60
FLUID NOZZLE & NEEDLE SET	93017270	93017280	93011570	93011680	93018270	93011730	111,60

SET OPTIONS & CONTENTS

CARTON BOX



W-200 INTEGRA FT Pressure Spray Gun
Universal Spanner
Cleaning Brushes



OPTIONS & ACCESSORIES:

LOCK PATTERN ADJUSTMENT



LOCK FLUID ADJUSTMENT



FLUID TUBE 3/8"
in Stainless Steel



QUICK FAN PATTERN ADJUSTMENT



SPANNER for
Lock Fluid Adjustment &
Lock Pattern Adjustment



"L" ROTATING AIR HOSE JOINT



PUSH-PULL PATTERN ADJUSTMENT SET



REF.	CODE	DESCRIPTION	€
1	see table on left page	AIR CAP SET (LV2)	110,10
1	see table on left page	AIR CAP SET (G2P)	116,60
1-1	93017700	CAP COVER PACKING SET	11,10
1-2	93011560	AIR CAP RING Silver	43,80
2 + 2-1	see table on left page	FLUID NOZZLE + FLUID NEEDLE SET	111,60
3	03810620	NEEDLE PACKING SET	32,30
4	93011630	PATTERN ADJUSTMENT	47,80
5	93001640	AIR VALVE SEAT SET	35,00
6	93001690	AIR VALVE	23,90
7	93001700	AIR VALVE SPRING	13,60
8	93012630	FLUID ADJUSTMENT GUIDE SET	38,80
9	93002820	NEEDLE SPRING SET	21,50
10	93012650	FLUID ADJUSTMENT KNOB	15,50
11	93001790	AIR VALVE SHAFT	20,90
12	93012660	AIR ADJUSTMENT SET	39,60
13	93014500	TRIGGER SET	27,40
14	93013810	TRIGGER STUD	8,10

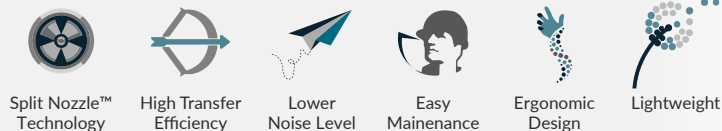
OPTION AND ACCESSORIES

CODE	DESCRIPTION	REF.	€
W2COM6163	BRUSHES (5 PCS/1PK)	15	12,80
930171A0	UNIVERSAL SPANNER	16	8,80
930356A0	REPAIRING KIT includes: needle packing set (3), air valve seat set (5), air valve (6), air valve spring (7), fluid adj. guide set (8), needle spring set (9), air valve shaft (11), trigger stud set (14).		155,00
14375800	"L" ROTATING AIR HOSE JOINT		25,00
W-200-X1	QUICK FAN PATTERN ADJUSTMENT		174,30
93895611	PUSH-PULL PATTERN ADJUSTMENT SET		174,30
93605600	LOCK FLUID ADJUSTMENT		54,80
03841601	LOCK PATTERN ADJUSTMENT		116,00
93280082	SPANNER for Lock Fluid Adj. & Lock Pattern Adj.		6,30
W2COM5052	FLUID TUBE 3/8" Stainless Steel		57,70
001004050	TWIN HOSE (Air and Fluid) 1/4"-1/4" - 5 m		89,60
001004075	TWIN HOSE (Air and Fluid) 1/4"-1/4" - 7.5 m		109,80
001004100	TWIN HOSE (Air and Fluid) 1/4"-1/4" - 10 m		134,10



W-200 INTEGRA SP - HIGH QUALITY

FEATURES



W-200 INTEGRA

High Quality New Generation Suction Spray Gun, born from the renewed design of previous W-200 version, it's the result of a perfect harmony between experience and technology, equipped with the exclusive Split Nozzle™ Technology is special for industrial applications.

TECHNICAL DATA

• Air Nipple: G1/4" • Fluid Nipple: G3/8"

model name	ø mm	cap	bar*	ml/min	NI/min	mm (in)
W-200SP-16WB2S	1.6	WB2	2.0 ~ 2.5	170	480	315
W-200SP-18WB2S	1.8			200	~ 538	330

*Suggested gun inlet pressure during spraying.



ORDER INFORMATION

	ø 1,6	ø 1,8	€
W-200 INTEGRA - Spray Gun Only	130471A0	130472A0	540,50
W-200 INTEGRA - With PCL-10B3 Cup	130478A0	130479A0	604,70
W-200 INTEGRA - With PC-12 Cup	130485A0	130486A0	592,50
AIR CAP SET - WB2	93017460		129,50
FLUID NOZZLE & NEEDLE SET	93017480	93017490	217,00

SET OPTIONS & CONTENTS

CARTON BOX - A

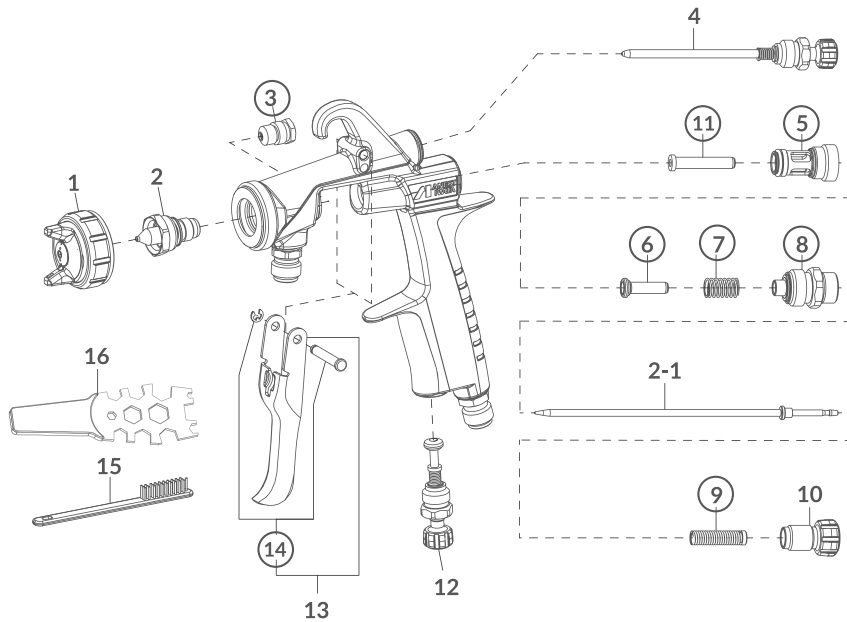


W-200 INTEGRA SP
PCL-10B3 CUP - 1L
Universal Spanner

CARTON BOX - B



W-200 INTEGRA SP
PC-12 - 1L
Universal Spanner



OPTIONS & ACCESSORIES:

LOCK PATTERN ADJUSTMENT



LOCK FLUID ADJUSTMENT



FLUID TUBE 3/8"
in Stainless Steel



QUICK FAN PATTERN ADJUSTMENT



SPANNER for
Lock Fluid Adjustment &
Lock Pattern Adjustment



"L" ROTATING AIR HOSE JOINT



PUSH-PULL PATTERN ADJUSTMENT SET



OPTION AND ACCESSORIES

REF.	CODE	DESCRIPTION	€	CODE	DESCRIPTION	REF.	€
1	see table on left page	AIR CAP SET	129,50	W2COM6163	BRUSHES (5 PCS/1PK)	15	12,80
1-1	93017700	CAP COVER PACKING SET	11,10	930171A0	UNIVERSAL SPANNER	16	8,80
1-2	93016870	AIR CAP RING Blue	48,60	14018621	PCL 10 B3 SUCTION CONTAINER 1 lt.		79,20
2 + 2-1	see table on left page	FLUID NOZZLE + FLUID NEEDLE SET	217,00	14018200	PC 12 SUCTION CONTAINER 1 lt.		97,50
3	03810620	NEEDLE PACKING SET	32,30	930356A0	REPAIRING KIT includes: needle packing set (3), air valve seat set (5), air valve (6), air valve spring (7), fluid adj. guide set (8), needle spring set (9), air valve shaft (11), trigger stud set (14).		155,00
4	93011630	PATTERN ADJUSTMENT	47,80	14375800	"L" ROTATING AIR HOSE JOINT		25,00
5	93001640	AIR VALVE SEAT SET	35,00	W-200-X1	QUICK FAN PATTERN ADJUSTMENT		174,30
6	93001690	AIR VALVE	23,90	93895611	PUSH-PULL PATTERN ADJUSTMENT SET		174,30
7	93001700	AIR VALVE SPRING	13,60	93605600	LOCK FLUID ADJUSTMENT		54,80
8	93012630	FLUID ADJUSTMENT GUIDE SET	38,80	03841601	LOCK PATTERN ADJUSTMENT		116,00
9	93002820	NEEDLE SPRING SET	21,50	93280082	SPANNER for Lock Fluid Adj. & Lock Pattern Adj.		6,30
10	93012650	FLUID ADJUSTMENT KNOB	15,50	W2COM5052	FLUID TUBE 3/8" Stainless Steel		57,70
11	93001790	AIR VALVE SHAFT	20,90	001004050	TWIN HOSE (Air and Fluid) 1/4"-1/4" - 5 m		89,60
12	93012660	AIR ADJUSTMENT SET	39,60	001004075	TWIN HOSE (Air and Fluid) 1/4"-1/4" - 7.5 m		109,80
13	93014500	TRIGGER SET	27,40	001004100	TWIN HOSE (Air and Fluid) 1/4"-1/4" - 10 m		134,10
14	93013810	TRIGGER STUD	8,10				



W-200 INTEGRA FT - HIGH QUALITY

FEATURES



Standard Technology



High Transfer Efficiency



Lower Noise Level



Easy Maintenance



Ergonomic Design



Lightweight

W-200 INTEGRA



High Quality New Generation Suction Spray Gun, born from the renewed design of previous W-200 version, it's the result of a perfect harmony between experience and technology, equipped with traditional Flat Tip Nozzle, is special for industrial applications.

TECHNICAL DATA

• Air Nipple: G1/4" • Fluid Nipple: G3/8"

model name	ø mm	cap	bar*	ml/min	NI/min	mm (in)
W-200FT-14S	1.4	LV2	2.0 ~ 2.5	240	240 ~ 300	260
W-200FT-15S	1.5	K2			290	220 ~ 275
W-200FT-18S	1.8			R2		350
W-200FT-20S	2.0	W1			440	
W-200FT-25S	2.5					

*Suggested gun inlet pressure during spraying.

ORDER INFORMATION

	ø 1,4	ø 1,5	ø 1,8	ø 2,0	ø 2,5	€
W-200 INTEGRA - Spray Gun Only	130473A0	130474A0	130475A0	130476A0	130477A0	394,30
W-200 INTEGRA - With PCL-10B3 Cup	130480A0	130481A0	130482A0	130483A0	130484A0	459,60
W-200 INTEGRA - With PC-12 Cup	130487A0	130488A0	130489A0	130490A0	130491A0	446,30
AIR CAP SET	LV2 93017360	K2 93011710		R2 93011790	W1 93011820	110,10
FLUID NOZZLE & NEEDLE SET	93017370	93011680	93011730	93011740	93011810	111,60

SET OPTIONS & CONTENTS

CARTON BOX - A

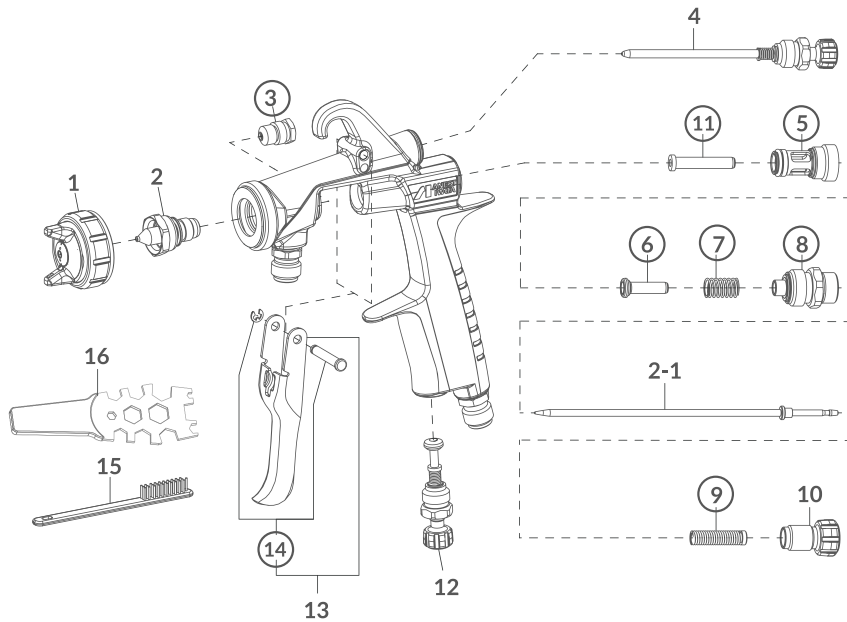


W-200 INTEGRA FT
PCL-10B3 CUP - 1L
Universal Spanner

CARTON BOX - B



W-200 INTEGRA FT
PC-12 - 1L
Universal Spanner



OPTIONS & ACCESSORIES:

LOCK PATTERN ADJUSTMENT



LOCK FLUID ADJUSTMENT



FLUID TUBE 3/8"
in Stainless Steel



QUICK FAN PATTERN ADJUSTMENT



SPANNER for
Lock Fluid Adjustment &
Lock Pattern Adjustment



"L" ROTATING AIR HOSE JOINT



PUSH-PULL PATTERN ADJUSTMENT SET



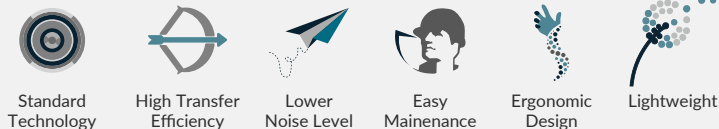
OPTION AND ACCESSORIES

REF.	CODE	DESCRIPTION	€	CODE	DESCRIPTION	REF.	€
1	see table on left page	AIR CAP SET	110,10	W2COM6163	BRUSHES (5 PCS/1PK)	15	12,80
1-1	93017700	CAP COVER PACKING SET	11,10	930171A0	UNIVERSAL SPANNER	16	8,80
1-2	93011560	AIR CAP RING Silver	43,80	14018621	PCL 10 B3 SUCTION CONTAINER 1 lt.		79,20
2 + 2-1	see table on left page	FLUID NOZZLE + FLUID NEEDLE SET	111,60	14018200	PC 12 SUCTION CONTAINER 1 lt.		97,50
3	03810620	NEEDLE PACKING SET	32,30	930356A0	REPAIRING KIT includes: needle packing set (3), air valve seat set (5), air valve (6), air valve spring (7), fluid adj. guide set (8), needle spring set (9), air valve shaft (11), trigger stud set (14).		155,00
4	93011630	PATTERN ADJUSTMENT	47,80	14375800	"L" ROTATING AIR HOSE JOINT		25,00
5	93001640	AIR VALVE SEAT SET	35,00	W-200-X1	QUICK FAN PATTERN ADJUSTMENT		174,30
6	93001690	AIR VALVE	23,90	93895611	PUSH-PULL PATTERN ADJUSTMENT SET		174,30
7	93001700	AIR VALVE SPRING	13,60	93605600	LOCK FLUID ADJUSTMENT		54,80
8	93012630	FLUID ADJUSTMENT GUIDE SET	38,80	03841601	LOCK PATTERN ADJUSTMENT		116,00
9	93002820	NEEDLE SPRING SET	21,50	93280082	SPANNER for Lock Fluid Adj. & Lock Pattern Adj.		6,30
10	93012650	FLUID ADJUSTMENT KNOB	15,50	W2COM5052	FLUID TUBE 3/8" Stainless Steel		57,70
11	93001790	AIR VALVE SHAFT	20,90	001004050	TWIN HOSE (Air and Fluid) 1/4"-1/4" - 5 m		89,60
12	93012660	AIR ADJUSTMENT SET	39,60	001004075	TWIN HOSE (Air and Fluid) 1/4"-1/4" - 7.5 m		109,80
13	93014500	TRIGGER SET	27,40	001004100	TWIN HOSE (Air and Fluid) 1/4"-1/4" - 10 m		134,10
14	93013810	TRIGGER STUD	8,10				



W-400 CLASSIC PLUS - HIGH QUALITY

FEATURES



Classic
plus

High Quality VOC-Compliant Professional Spray Gun for Car Refinish Basecoat applications. Fine atomization.

TECHNICAL DATA

• Air nipple: G1/4" • Fluid nipple: M16 x 1.5 mm

model name	ø mm	cap	bar*	ml/min	NI/min	mm (in)
W-400-082G	0.8	LV2	2.0	60	280	80
W-400-102G	1.0			95		150
W-400-122G	1.2			100		175
W-400-132G	1.3			160		225
W-400-142G	1.4			210		255
W-400-162G	1.6			240		270
W-400-182G	1.8	LV1	3.0	320	290	260
W-400-202G	2.0	R2		460	360	320
W-400-251G	2.5	W1		360		340

*Suggested gun inlet pressure during spraying.



ORDER INFORMATION

	ø 0,8	ø 1,0	ø 1,2	ø 1,3	ø 1,4	€
W-400 PRO KIT	13241401P	13241402P	13241403P	13241404P	13241405P	421,90
AIR CAP SET (LV2)	93830610B					
FLUID NOZZLE & NEEDLE SET	93889610	93890610	93823610	93881610	-	113,60
FLUID NOZZLE & NEEDLE SET	-	-	-	-	93831610	113,60

ORDER INFORMATION

	ø 1,6	ø 1,8	ø 2,0	ø 2,5	€
W-400 PRO KIT	13241406P	13241407P	13241408P	13241409P	421,90
AIR CAP SET	LV2 93830610B	LV1 93859611	R2 93814610B	W1 93813610B	110,70
FLUID NOZZLE & NEEDLE SET	93832610	-	-	-	113,60
FLUID NOZZLE & NEEDLE SET	-	93821610	93820610	93819610	113,60

SET OPTIONS & CONTENTS

PRO KIT CARTON BOX

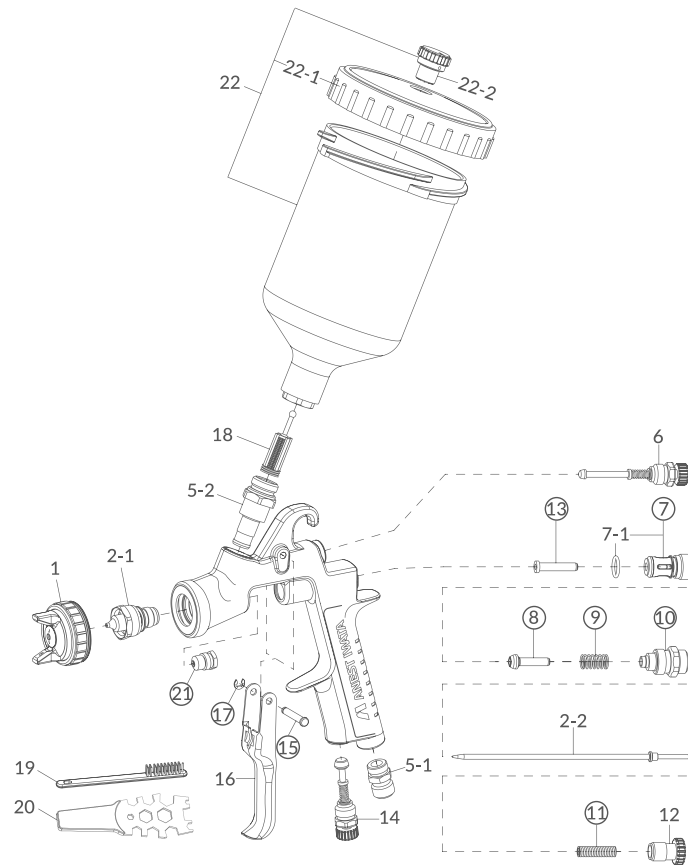


W-400 Classic Plus Spray Gun
PCG 6 PE CUP - 600 ml
Cleaning Brushes - Universal Spanner

SPARE PARTS



PCG-6 PE
GRAVITY CUP
600 ml



REF.	CODE	DESCRIPTION	€	REF.	CODE	DESCRIPTION	€
1	see table on left page	AIR CAP SET	110,70	21	03810620	NEEDLE PACKING SET	32,30
2-1+ 2-2	see table on left page	FLUID NOZZLE + FLUID NEEDLE SET ø 0,8 - ø 1,0 - ø 1,2 - ø 1,3 - ø 1,6	113,60	19	W2COM6163	BRUSHES (5 pcs./1 pk.)	12,80
2-1+ 2-2	see table on left page	FLUID NOZZLE + FLUID NEEDLE SET ø 1,4 - ø 1,8 - ø 2,0 - ø 2,5	113,60	20	930171A0	UNIVERSAL SPANNER	8,80
5-1	03660300	AIR NIPPLE	11,10	22	14011001	PCG-6-PE GRAVITY CUP 600 ml	60,00
5-2	93650531	FLUID NIPPLE	75,80	22-1	04002300	LID	10,50
6	93842601	PATTERN ADJ. SET	40,80	22-2	04003320	NON DRIP	2,30
7	03843530	AIR VALVE SEAT SET	28,00				
7-1	06638008	'O' RING	2,90				
8	03591530	AIR VALVE	19,30				
9	03719530	AIR VALVE SPRING	8,20				
10	93844532	FLUID ADJ. GUIDE SET	42,50				
11	03593530	FLUID NEEDLE SPRING	8,20				
12	93594532	FLUID ADJ. KNOB	16,90				
13	93935430	AIR VALVE SHAFT	15,20				
14	93845531	AIR ADJ. SET	42,50				
15	03667360	TRIGGER STUD	4,60				
16	03517600	TRIGGER	21,50				
17	03912030	E STOPPER (2 pcs./1 pk.)	4,50				
18	03515500	FILTER 60 Mesh (250µ)	2,20				
				OPTION AND ACCESSORIES			
				CODE	DESCRIPTION		€
				03708240	AIR CAP PACKING (WHITE)		3,20
				03512600	AIR CAP "L" PACKING (BLACK)		5,60
				W2KIT55UK	CLEANING KIT		77,10
				W2COM6190	REPAIRING KIT 2 (includes: air valve seat set, air valve, air valve spring, fluid needle spring, fluid adj. guide set, air valve shaft, trigger stud, e stopper, needle packing cartridge).		107,50



AZ3 HTE2 AV - STANDARD QUALITY

FEATURES



Standard Technology



Easy Maintenance



Reliable



Made in Italy

Standard Quality Spray Gun for industrial applications. Ideal for high viscosity coatings.

TECHNICAL DATA

• Air nipple: G1/4" • Fluid nipple: G1/4"

model name	ø mm	cap	bar*	ml/min	NI/min	mm (in)
AZ3 HTE 2 AV	1.0	10-15 HTE	2.0	80	200	180
	1.3			140		240
	1.5			160		260
	1.8	18-20 HTE		250	215	300
	2.0			300		340
	2.5			25 HTE	450	280
	2.8	28-30 HTE	3.0	540	300	380
	3.0			560		400
	3.5			600		420

*Suggested gun inlet pressure during spraying.



HTE
HIGH TRANSFER
EFFICIENCY

**SPECIAL WRENCH
ACCESSORIES**



ORDER INFORMATION

	ø 1,0	ø 1,3	ø 1,5	ø 1,8	ø 2,0	€
AZ3 HTE 2 AV with 600 ml CUP	W0SPG81AG10C	W0SPG81AG13C	W0SPG81AG15C	W0SPG81AG18C	W0SPG81AG20C	119,00
AIR CAP SET	W2CAP80AG15			W2CAP80AG18		33,80
FLUID NOZZLE & NEEDLE SET	W2010133500	W2010133600	W2010133700	-	-	25,00
FLUID NOZZLE & NEEDLE SET	-	-	-	W2010133800	W2010133900	25,00

ORDER INFORMATION

	ø 2,5	ø 2,8	ø 3,0	ø 3,5	€
AZ3 HTE 2 AV with 600 ml CUP	W0SPG81AG25C	W0SPG81AG28C	W0SPG81AG30C	W0SPG81AG35C	119,00
AIR CAP SET	W2CAP80AG25	W2CAP80AG30		W2CAP80AG35	33,80
FLUID NOZZLE & NEEDLE SET	W2010134000	W2010134300	W2010134100	W2010134200	25,00

SET OPTIONS & CONTENTS

CARTON BOX



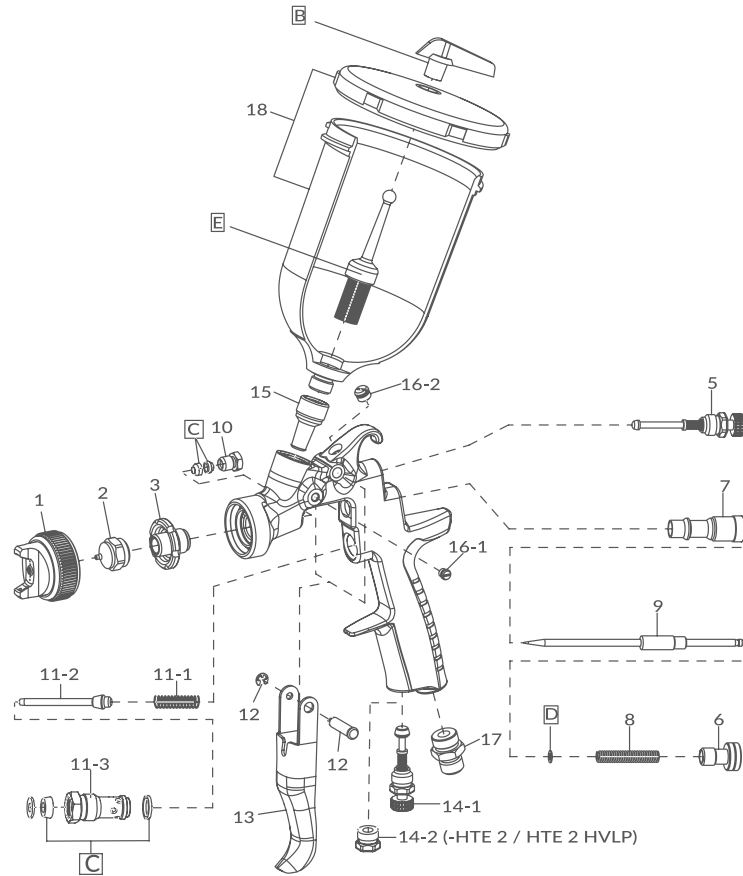
AZ3 HTE2 AV Spray Gun
PCG-6P-2B AZ CUP - 600 ml

SPARE PARTS



Air Gun
ANEST IWATA Group

PCG-6B 2B-AZ
GRAVITY CUP
600 ml



REF.	CODE	DESCRIPTION	€	REF.	CODE	DESCRIPTION	€
1	see table on left page	AIR CAP SET	33,80	17	W2COM5000	AIR NIPPLE	3,50
2+9	see table on left page	FLUID NOZZLE + FLUID NEEDLE SET ø 1,0 - ø 1,3 - ø 1,5	25,00	C	W2KIT56	PACKING SET (3 pcs./1 pk.)	5,20
2+9	see table on left page	FLUID NOZZLE + FLUID NEEDLE SET ø 1,8 - ø 2,0 - ø 2,5 - ø 2,8 - ø 3,0 - ø 3,5	25,00	D	W2KIT33	SLIDE RING SET (10 pcs./1 pk.)	11,70
3	W2010140200	NOZZLE HOLDER	8,20	18	W0012820100	PCG-6P-2B-AZ GRAVITY CUP 600 ml	15,70
5	93842601	PATTERN ADJ. SET	40,80	B	W2KIT07	NON DRIP SET (5 pcs./1 pk.)	7,00
6	W2010141000	FLUID NEEDLE ADJ. KNOB	2,40	E	W2KIT06	FILTER SET 50 Mesh (297µ) (5 pcs./1 pk.)	22,10
7	W2010140900	FLUID NEEDLE GUIDE	3,50				
8	W2010140800	FLUID NEEDLE SPRING	2,50				
10	W2010140600	FLUID NEEDLE PACKING NUT	2,40				
11	W2010120100	AIR VALVE SET	9,30				
11-1	W2010141700	AIR VALVE SPRING	1,80				
11-2	W2010130600	AIR VALVE	2,90				
11-3	W2010130500	AIR VALVE SEAT	5,20				
12	W2COM4001	TRIGGER STUD	4,10				
13	W2COM6051	TRIGGER	6,40				
14-1	93845531	AIR ADJ. SET	42,50				
14-2	93625370	PLUG	26,80				
15	W2013040100	THREADED BUSHING	2,40				
16-1	W2COM5004	SCREW	0,60				
16-2	W2COM6050	PLUG	1,80				
				OPTION AND ACCESSORIES			
				CODE	DESCRIPTION		€
				W2KIT55UK	CLEANING KIT		77,10
				VPACAZ3H2	BLACK PLASTIC CASE (for 1 SPRAY GUN and 1 CUP)		35,00
				W2503500100	SPECIAL WRENCH		48,40

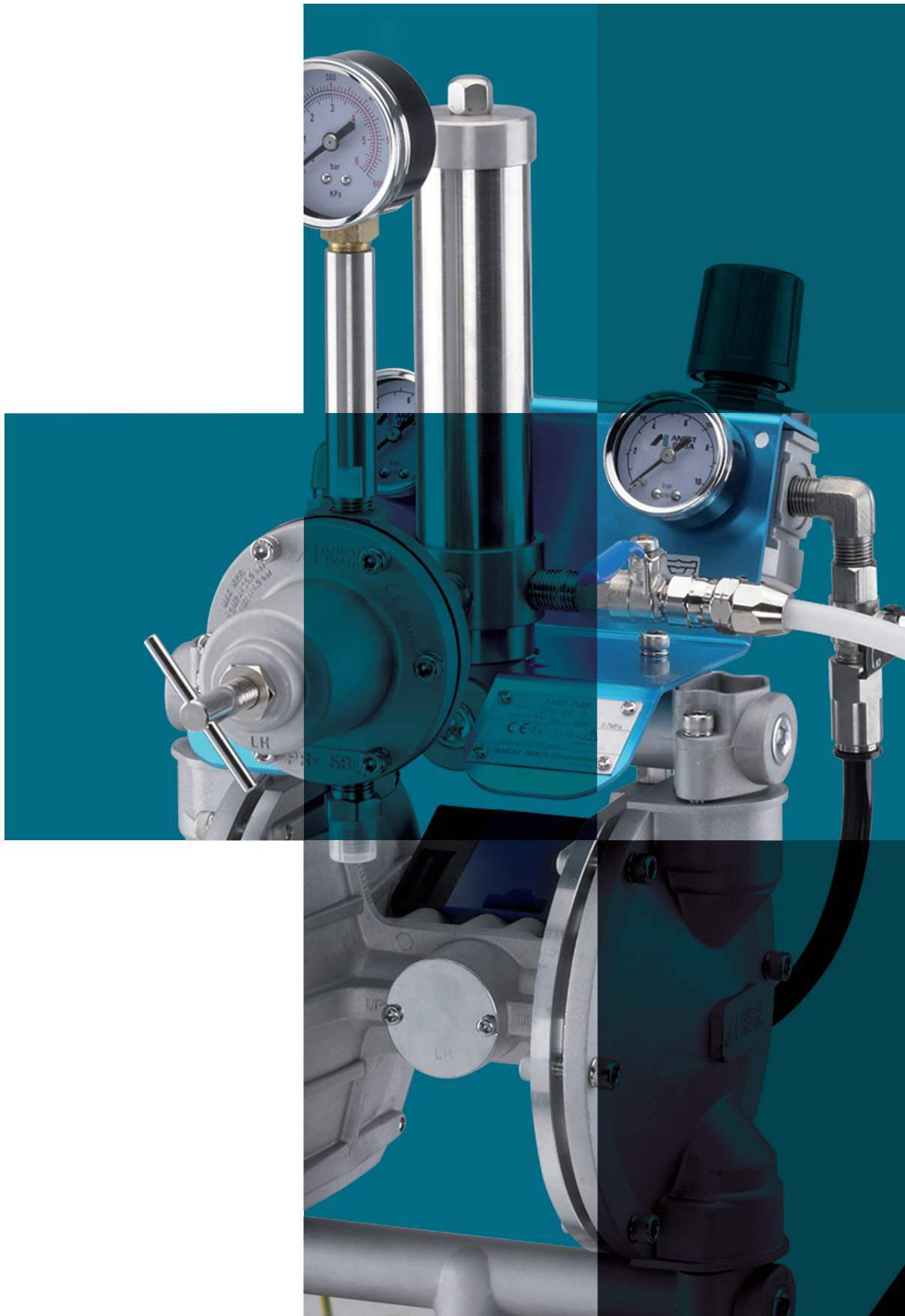
AZ3 HTE2 AV



3





PAINT SUPPLY
SYSTEM

LOW PRESSURE
EQUIPMENTS



DPS-120C and DPS-90G PAINT PUMPS

FEATURES

- 
 Easy Maintenance
- 
 Stainless Steel
- 
 Double Spool Air Operating Valve
- 
 Quick rinse & Colour change

Diaphragm Paint Pumps for low pressure applications are ideally suited to Car Refinish and General Industry sector requirements. Fully pneumatic pump control with double spool air circuit. Available in 3 different versions (Aluminium; Aluminium Anodized and Stainless Steel).

TECHNICAL DATA

		DDP-120B.TE	DDP-90F.TE
Ratio		1:1	
Paint Filter	Delivery Paint Filter	100 mesh	
	Fluid Suction Filter	50 mesh	
Max. Working Pressure		7.0 bar (0.7 MPa)	
Working Temperature		5~40 °C	
Fluid Output	at 30 cyc/min.	4.5 lt./min	1.5 lt./min
	at 200cyc/min. max	30 lt./min	10 lt./min
Paint Viscosity		85 sec./Ford#4	



PUMP UNIT DDP-120B.TE



PUMP UNIT DDP-90F.TE



PAINT PRESSURE REGULATOR PR-5BL



PUMP UNITS ASSEMBLY



On Stand



On Tank Mount



On Cart with Handle



On Wall Mount



On Cart with Hopper Set (6lt.)

DPS-120C and DPS-90G



ORDER INFORMATION

CONFIGURATION	CODE	MODEL	€	CODE	MODEL	€
ALUMINIUM						
PUMP UNIT	14068690	DDP-120B.TE	1 072,50	14068660	DDP-90F.TE	867,30
PUMP UNIT supplied on Stand	14069030	DPS-1201C.TE	1 907,50	14069000	DPS-901G.TE	1 780,40
PUMP UNIT supplied on Tank Mount	14069110	DPS-1202C.TE	1 951,90	14069080	DPS-902G.TE	1 843,90
PUMP UNIT supplied on Cart w/Dip Tube	14069190	DPS-1203C.TE	2 232,70	14069160	DPS-903G.TE	2 100,70
PUMP UNIT supplied on Wall Mount	14069270	DPS-1204C.TE	2 001,00	14069240	DPS-904G.TE	1 867,90
PUMP UNIT supplied on Cart w/Hopper Set	14069350	DPS-12036C.TE	2 260,20	14069320	DPS-9036G.TE	2 131,90
PAINT PRESSURE REGULATOR	14608200	PR-5BL	344,30	14608200	PR-5BL	344,30
ALUMINIUM ANODIZED						
PUMP UNIT	14068710	DDP-120B-WB.TE	1 191,40	14068680	DDP-90F-WB.TE	1 007,80
PUMP UNIT supplied on Stand	14069050	DPS-1201C-WB.TE	2 152,00	14069020	DPS-901G-WB.TE	2 037,10
PUMP UNIT supplied on Tank Mount	14069130	DPS-1202C-WB.TE	2 134,50	14069100	DPS-902G-WB.TE	2 013,10
PUMP UNIT supplied on Cart w/Dip Tube	14069210	DPS-1203C-WB.TE	2 490,50	14069180	DPS-903G-WB.TE	2 373,80
PUMP UNIT supplied on Wall Mount	14069290	DPS-1204C-WB.TE	2 259,20	14069260	DPS-904G-WB.TE	2 139,00
PUMP UNIT supplied on Cart w/Hopper Set	14069370	DPS-12036C-WB.TE	2 387,50	14069340	DPS-9036G-WB.TE	2 272,30
PAINT PRESSURE REGULATOR	14608220	PR-5BL-WB	358,50	14608220	PR-5BL-WB	358,50
STAINLESS STEEL VERSION						
PUMP UNIT	14068700	DDP-120BN.TE	2 143,90	14068670	DDP-90FN.TE	1 569,20
PUMP UNIT supplied on Stand	14069040	DPS-1201CN.TE	2 800,10	14069010	DPS-901GN.TE	2 472,60
PUMP UNIT supplied on Tank Mount	14069120	DPS-1202CN.TE	2 824,10	14069090	DPS-902GN.TE	2 473,70
PUMP UNIT supplied on Cart w/Dip Tube	14069200	DPS-1203CN.TE	3 179,00	14069170	DPS-903GN.TE	2 831,30
PUMP UNIT supplied on Wall Mount	14069280	DPS-1204CN.TE	2 946,40	14069250	DPS-904GN.TE	2 598,50
PUMP UNIT supplied on Cart w/Hopper Set	14069360	DPS-12036CN.TE	3 073,50	14069330	DPS-9036GN.TE	2 731,70
PAINT PRESSURE REGULATOR	14608210	PR-5BLN	550,80	14608210	PR-5BLN	550,80

ORDER INFORMATION

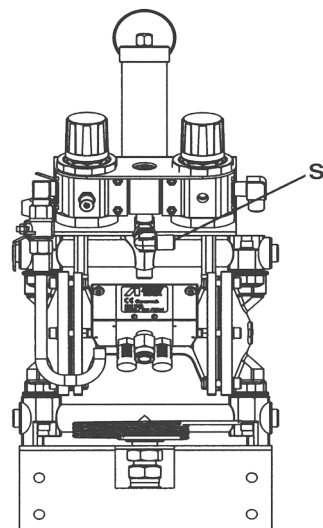
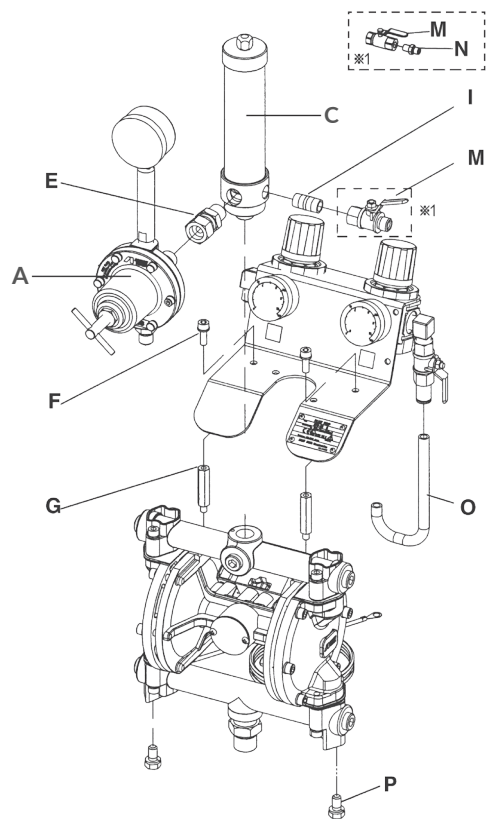
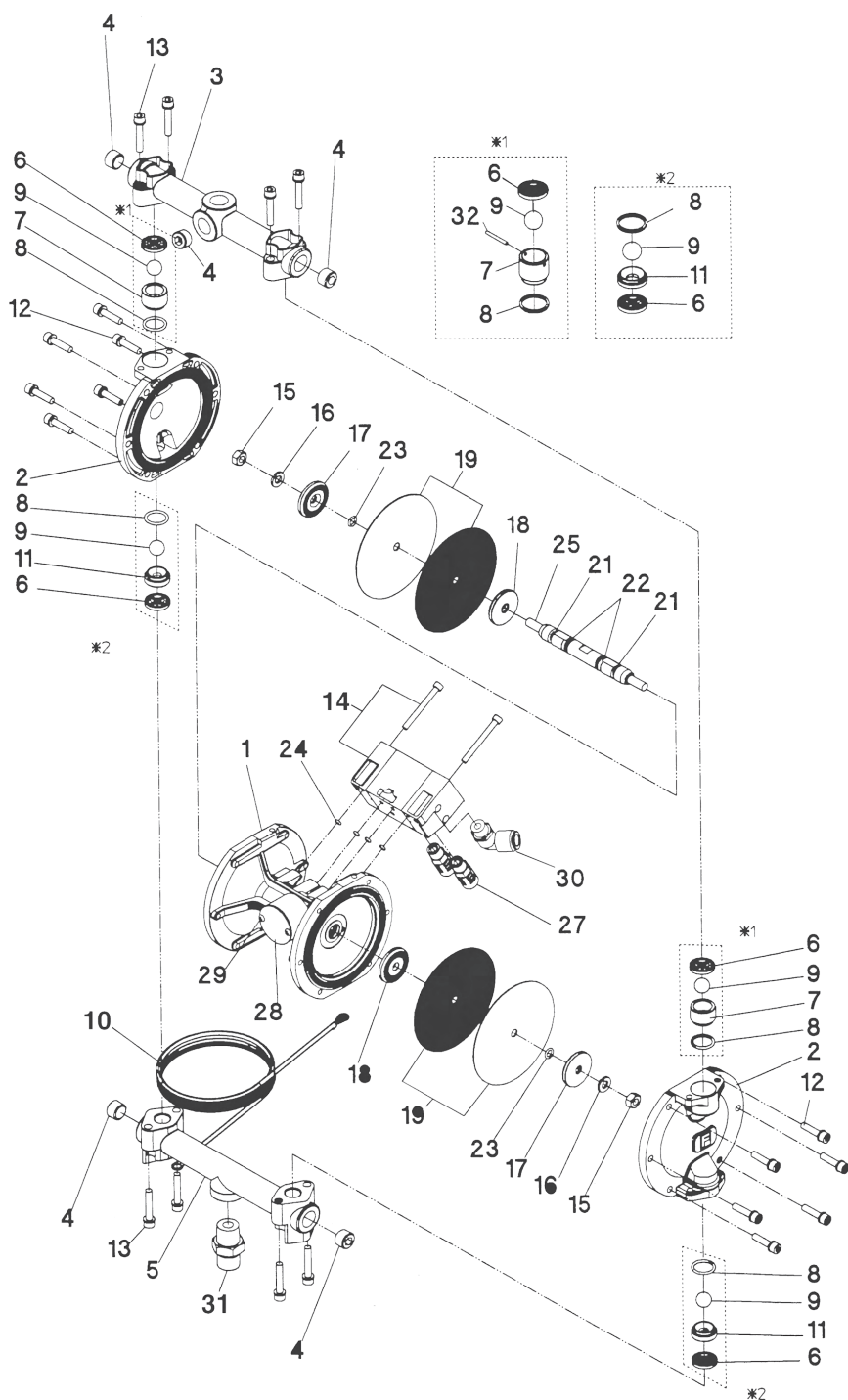
REF.	CODE	DESCRIPTION	FOR MODEL	€
PUMP UNIT CONFIGURATION ACCESSORIES (see next page for drawing reference)				
A	14608200	PAINTE REGULATOR SET PR-5BL	for Aluminium	344,30
A	14608220	PAINTE REGULATOR SET PR-5BL-WB	for Aluminium Anodized	358,50
A	14068210	PAINTE REGULATOR SET PR-5BLN		550,60
C	04493020	PAINTE FILTER SET		228,70
E	06859803	SWIVEL JOINT	for DPS 120-1C/-2C/-3C/-4C/-36C_DPS 90-1G/-2G/-3G/-4G/-36G	6,10
E	06859591	SWIVEL JOINT	for DPS 120-1CN/-2CN/-3CN/-4CN/-36CN and -WB_DPS 90-1GN/-2GN/3GN/-4GN/-36GN and -WB	57,70
F	06357501	HEX. SOCKET BOLT WITH WASHER		1,20
G	04493000	CONNECTING BOLT		15,20
I	06642002	NIPPLE		9,30
M	04432650	BALL VALVE		15,40
M	04433630	BALL VALVE	for DPS120-1C/-2C/-3C/-4C/-36C and DPS90-1G/-2G/-3G/-4G/-36G	45,50
N	04343310	JOINT G1/4" R1/4"	for DPS 120-1CN/-2CN/-3CN/-4CN/-36CN and -WB_DPS 90-1GN/-2GN/3GN/-4GN/-36GN and -WB	15,20
O	04494040	PIPE	for DPS 120-1CN/-2CN/-3CN/-4CN/-36CN and -WB_DPS 90-1GN/-2GN/-3GN/-4GN/-36GN and -WB	1,80
P	06994758	WASHER BOLT		0,50
S	06859563	ELBOW UNION	for DPS 120-4C/-4CN and DPS 90-4G/-4GN	15,20



SPARE PARTS

PUMP UNIT ACCESSORIES

PUMP UNIT SPARE PARTS



SPARE PARTS



REF.	CODE	DESCRIPTION	QTY.	DDP-90F	DDP-90FN	DDP-90F-WB	DDP-120B	DDP-120BN	DDP-120B-WB	€
1	94410622	MAIN BODY		X	X	X				199,80
1	94437632	MAIN BODY					X	X	X	269,30
2	94456582	LID		X						118,00
2	94414592	LID			X					194,00
2	94456640	LID				X				131,60
2	94439631	LID					X			123,50
2	94453660	LID						X		208,70
2	94439650	LID							X	128,30
3	94452640	UPPER ADAPTOR		X			X			121,90
3	94414650	UPPER ADAPTOR			X			X		169,70
3	94452650	UPPER ADAPTOR				X			X	117,20
4	06990413	HEXAGON SOCKET PLUG		X			X			4,50
4	06367202	HEXAGON SOCKET PLUG			X	X		X	X	9,80
5	94441630	LOWER ADAPTOR		X			X			123,50
5	94416592	LOWER ADAPTOR			X			X		173,10
5	94441640	LOWER ADAPTOR				X			X	128,30
6	04935620	PACKING SET	(2 pcs.)	X	X	X				14,40
6	94933290	PACKING SET	(2 pcs.)				X	X	X	20,30
7	04931630	EXHAUST VALVE	(2 pcs.)	X	X	X				51,50
7	94935290	EXHAUST VALVE	(2 pcs.)				X	X	X	65,30
8	04932630	'O'RING SET	(2 pcs.)	X	X	X				5,00
8	94930300	'O'RING SET	(2 pcs.)				X	X	X	4,10
9	04930630	STEEL BALL SET	(2 pcs.)	X	X	X				18,60
9	94934290	STEEL BALL SET	(2 pcs.)				X	X	X	36,10
10	04492830	GROUND WIRE		X	X	X	X	X	X	9,30
11	04933630	INTAKE VALVE	(2 pcs.)	X	X	X				52,30
11	94446630	INTAKE VALVE	(2 pcs.)				X	X	X	55,40
12	96357500	HEX. SOCKET BOLT WITH WASHER		X	X	X	X	X	X	2,10
13	96357502	HEX. SOCKET BOLT WITH WASHER		X	X	X	X	X	X	2,10
14	94490632	AIR OPERATING VALVE SET		X	X	X	X	X	X	167,60
15	06361081	HEX. NUT		X	X	X	X	X	X	1,20
16	06362080	SPRING WASHER		X	X	X	X	X	X	1,30
17	04414600	DIAPHRAGM HOLDER (OUTER)		X	X	X				19,30
17	94448630	DIAPHRAGM HOLDER (OUTER)					X	X	X	21,00
18	94453581	DIAPHRAGM HOLDER (INNER)		X	X	X				13,40
18	94449631	DIAPHRAGM HOLDER (INNER)					X	X	X	29,10
19	94931621	DIAPHRAGM SET	(2+2 pcs.)	X	X	X				79,30
19	94932301	DIAPHRAGM SET	(2+2 pcs.)				X	X	X	96,10
21	06996610	'Y'PACKING		X	X	X	X	X	X	9,30
22	06630011	'O'RING		X	X	X	X	X	X	1,80
23	06630008	'O'RING		X	X	X	X	X	X	1,30
24	06630004	'O'RING		X	X	X				0,70
24	06630006	'O'RING					X	X	X	0,70
25	04431590	ROD		X	X	X	X	X	X	162,00
27	04432590	MUFFLER		X	X	X	X	X	X	4,10
28	04456570	BLANKING COVER		X	X	X	X	X	X	13,40
29	06234002	TAPPING SCREW		X	X	X	X	X	X	0,70
30	06800202	ELBOW UNION		X	X	X	X	X	X	15,20
31	04427640	JOINT		X			X			13,10
31	04428640	JOINT			X	X		X	X	43,10
32	94444630	PIN					X	X	X	3,50



PAINT PRESSURE TANKS PET SERIES (max.7.0 bar)

FEATURES



Easy Maintenance



Stainless Steel



Easy Cleaning

The PET pressure tanks series are a valid system for feeding paint for the spray guns and other pneumatic equipments. The system allows the correct feeding of the fluid output at a stable pressure and it is used for a large amount of applications. Available in three different capacities: 50lt., 30lt. and 10lt, they can be supplied with pneumatic agitator for constant mixing of the product to be dispensed.



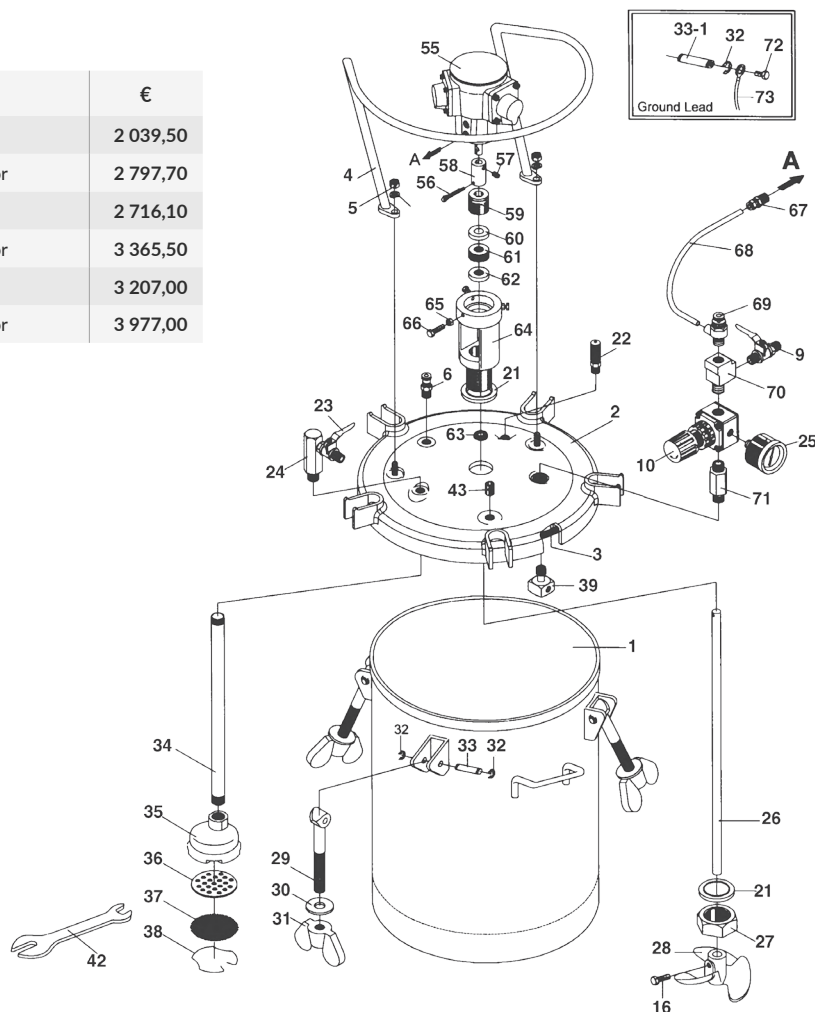
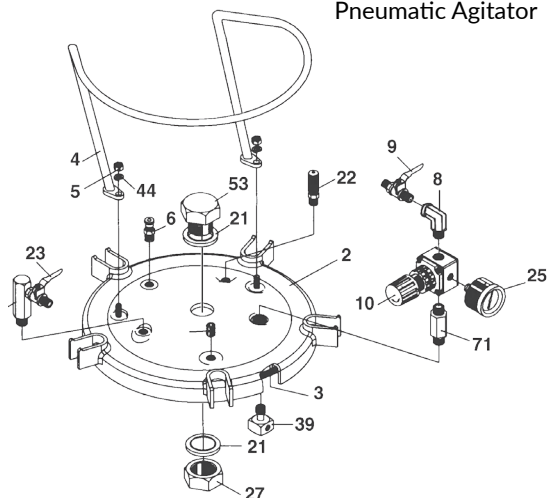
TECHNICAL DATA				
Max. Working Pressure	7.0 bar			
Air Inlet Joint	G 1/4" M			
Fluid Outlet Joint	G 3/8" M			
Working Temperature	5~40 °C			
Mass	PET 10 N	15.3 Kg	PET 10 MN	17.5 Kg
	PET 30 N	20.4 Kg	PET 30 MN	22.6 Kg
	PET 50 N	115.3 Kg	PET 50 MN	28.2 Kg
Dimensions	PET 10 N /-10 MN		540 x 330 mm	
	PET 30 N /-30 MN		710 x 415 mm	
	PET 50 N /-50 MN		810 x 470 mm	

Model PET MN:
version with
Pneumatic Agitator
AM-6B

ORDER INFORMATION

CODE	DESCRIPTION	€
14972600	PET-10 N PRESSURE TANK 10 lt.	2 039,50
14972620	PET-10 N PRESSURE TANK 10 lt. w/pneumatic agitator	2 797,70
14972630	PET-30 N PRESSURE TANK 30 lt.	2 716,10
14972650	PET-30 N PRESSURE TANK 30 lt. w/pneumatic agitator	3 365,50
14972660	PET-50 N PRESSURE TANK 50 lt.	3 207,00
14972680	PET-50 N PRESSURE TANK 50 lt. w/pneumatic agitator	3 977,00

Model PET N:
version without
Pneumatic Agitator



SPARE PARTS



REF.	CODE	DESCRIPTION	10N	10MN	30N	30MN	50N	50MN	€
3	04015110	LID PACKING	X	X					28,60
3	04015240	LID PACKING			X	X			37,90
3	04016170	LID PACKING					X	X	60,70
4	04015250	HANDLE			X	X			132,90
4	04019250	HANDLE	X	X					92,70
4	04016180	HANDLE					X	X	166,70
5	04015140	HEXAGON NUT	X	X	X	X	X	X	0,70
6	04015150	EXHAUST VALVE	X	X	X	X	X	X	12,30
8	04015460	ELBOW	X		X		X		9,00
9	04015170	TWO WAY VALVE (Air Inlet)	X	X	X	X	X	X	15,50
10	94015180	AIR PRESSURE REGULATOR	X	X	X	X	X	X	77,60
16	04019040	HEAD BOLT		X		X		X	1,20
21	04019100	SEALING RING	X	X	X	X	X	X	9,30
22	04002211	SAFETY VALVE	X	X	X	X	X	X	26,80
23	04015450	TWO WAY VALVE (Fluid outlet)	X	X	X	X	X	X	51,10
24	04015470	FLUID OUTLET ADAPTER	X	X	X	X	X	X	37,90
25	04016190	PRESSURE GAUGE	X	X	X	X	X	X	15,70
26	04016400	ROD + COUPLIING (56+57+58)		X					61,80
26	04016410	ROD + COUPLIING (56+57+58)				X			72,30
26	04016420	ROD + COUPLIING (56+57+58)						X	94,50
27	04019120	FIXING NUT	X	X	X	X	X	X	35,50
28	04016430	PROPELLER		X		X		X	16,90
29	04015490	SWING BOLT	X	X	X	X	X	X	32,60
30	04016200	WASHER	X	X	X	X	X	X	4,10
31	04016210	THUMB NUT	X	X	X	X	X	X	37,90
32	94020220	E-STOPPER	X	X	X	X	X	X	1,20
33	94020230	PIN	X	X	X	X	X	X	4,60
33-1	04016440	PIN (SUS)	X	X	X	X	X	X	5,90
34	04016450	SUCTION PIPE	X	X					64,50
34	04016460	SUCTION PIPE			X	X			78,90
34	04016470	SUCTION PIPE					X	X	102,20
35	04015270	FILTER COVER			X	X	X	X	16,30
35	04016260	FILTER COVER	X	X					12,30
36	04015280	FILTER BASE			X	X	X	X	4,90
36	04016270	FILTER BASE	X	X					4,10
37	04015290	FILTER (40 Mesh)			X	X	X	X	4,90
37	04016280	FILTER (40 Mesh)	X	X					4,10
38	04015300	FILTER STOPPER			X	X	X	X	4,90
38	94016290	FILTER STOPPER	X	X					4,10
39	94016310	AIR FLOW GUIDE	X	X	X	X	X	X	14,70
43	06990412	HEX. SOCKET SCREW			X	X	X	X	7,00
44	06500804	SPRING WASHER	X	X	X	X	X	X	0,50
53	04016480	HEAD BOLT	X		X		X		94,50
55	AM-6B	PNEUMATIC AIR MOTOR		X		X		X	491,30
59	04017410	PACKING SEAT		X		X		X	18,10
60	04017420	"V" PACKING FEMALE ADAPTOR		X		X		X	5,20
61	04017430	"V" PACKING		X		X		X	13,50
62	04017440	"V" PACKING MALE ADAPTOR		X		X		X	5,20
63	04017450	O-RING		X		X		X	4,10
64	04017460	AIR MOTOR SUPPORT		X		X		X	246,00
65	04017470	HEX. NUT		X		X		X	0,60
66	04017480	HEAD BOLT		X		X		X	2,40
67	04017490	QUICK COUPLING		X		X		X	5,90
68	04018100	AIR HOSE		X		X		X	8,60
69	04018110	SPEED CONTROLLER		X		X		X	34,50
70	04018120	ADAPTER		X		X		X	7,50
71	04018130	ADAPTER	X	X	X	X	X	X	16,90
72	04018140	SCREW	X	X	X	X	X	X	0,50
73	04018150	GROUND WIRE	X	X	X	X	X	X	4,60



PAINT PRESSURE TANK PET10 (max.4.0 bar)

FEATURES



Easy Maintenance



Stainless Steel



Easy Cleaning

The PET10 Pressure Tank is a valid system for feeding paint for the spray guns and other pneumatic equipments. The system allows the correct feeding of the fluid output at a stable pressure and it is used for a large amount of applications.

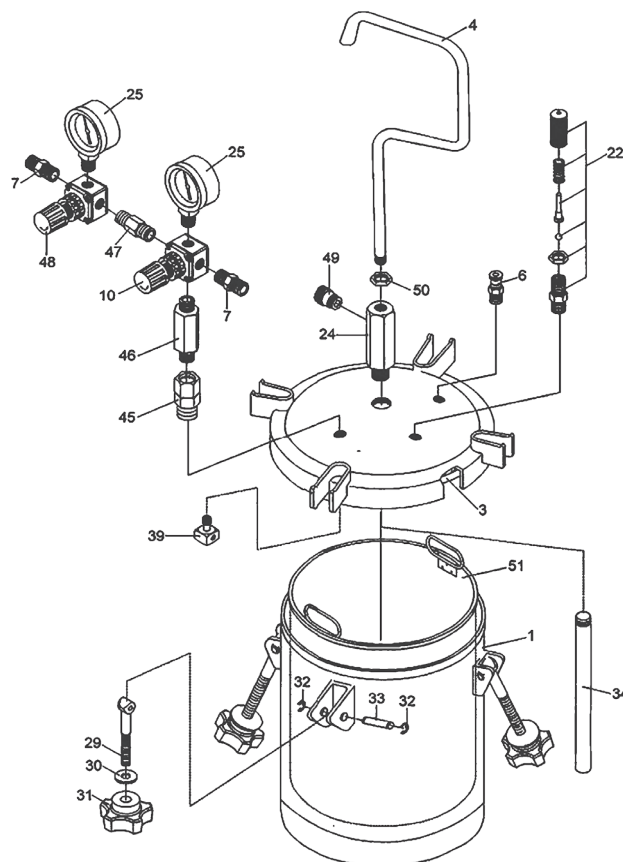


TECHNICAL DATA

Max. Working Pressure	4.0 bar
Air Inlet Joint	G 1/4" M
Fluid Outlet Joint	G 3/8" M
Working Temperature	5~40 °C
Tank Capacity	10 lt.
Inner Tank Capacity	8.5 lt. (in Stainless Steel)
Mass	11kg
Dimensions	310x310x565 mm

ORDER INFORMATION

REF.	CODE	DESCRIPTION	€
	14972400	PET-10 PRESSURE TANK 10 lt.	944,20
3	94020200	LID PACKING	30,40
4	94020020	HANDLE	24,00
6	94020030	EXHAUST VALVE	11,10
7	94020210	AIR INLET JOINT / OUTLET JOINT G1/4"	9,30
10	94008260	PRESSURE REGULATOR (FOR TANK)	78,80
22	94016391	SAFETY VALVE	26,80
24	94020040	FLUID OUTLET CONNECTING JOINT SUS 303	31,50
25	94016020	PRESSURE GAUGE	24,00
29	94020190	HANDLE BOLT	7,20
30	94020060	WASHER	1,20
31	94020070	THUMB NUT	31,50
32	94020220	C-SNAP RING	1,20
33	94020230	STUD	4,60
34	94020090	SUCTION PIPE SUS 303	57,60
39	94016310	AIR FLOW GUIDE	14,70
45	94020100	ADAPTER	12,80
46	94020110	ADAPTER	13,40
47	94020120	ADAPTER	5,90
48	94020130	PRESSURE REGULATOR (FOR GUN)	71,00
49	94020140	FLUID OUTLET JOINT SUS 303 3/8"	11,10
50	94020160	NUT	1,20
51	94020170	INNER TANK SUS 304	295,20



PRESSURIZED CONTAINER

PC-18D (max.3.5 bar)



FEATURES



Easy Maintenance



Stainless Steel



Easy Cleaning

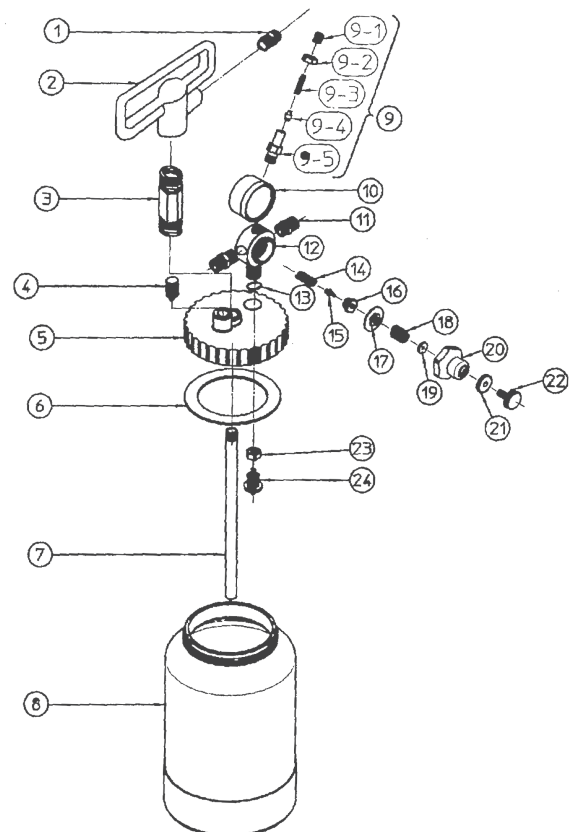
The small Paint Pressurized Container PC-18D in Aluminum, offers a faster application as it retains a large volume of paint inside (2 lt.), it is also equipped with a pressure gauge and a fluid pressure regulator for an accurate setting of the material flow rate.

TECHNICAL DATA

Max. Working Pressure	3.5 bar
Air Inlet Joint	G 1/4"
Fluid Outlet Joint	G 3/8"
Working Temperature	5~40 °C
Tank Capacity	2 lt.

ORDER INFORMATION

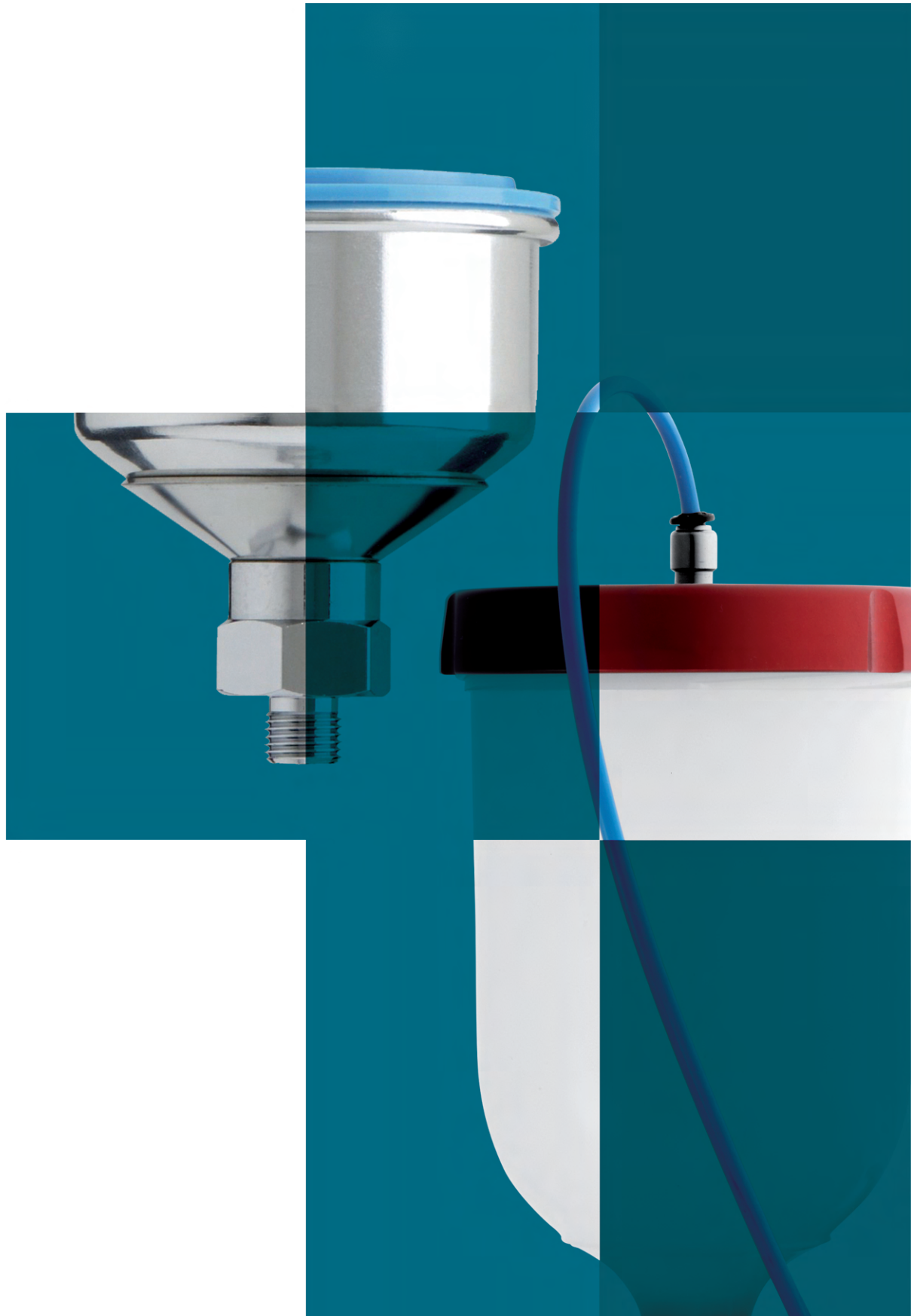
REF.	CODE	DESCRIPTION	€
	14018900	PC-18D PRESSURIZED CONTAINER	478,50
1	94056350	FLUID JOINT	38,40
2	94055350	HANDLE	71,70
3	94057350	HANDLE JOINT	29,10
4	94003350	AIR RELEASE VALVE	8,80
5	94053350	LID	215,10
6	94900210	LID PACKING (2 pcs./1 pk.)	6,40
7	94001350	SUCTION PIPE	16,90
8	94000351	CONTAINER SET	287,90
9	94007350	SAFETY VALVE	35,50
9-1	04012350	PLUG	5,20
9-2	04011350	NUT	8,80
9-3	04010350	SAFETY VALVE SPRING	5,20
9-4	04009350	SAFETY VALVE SPRING SEAT	6,20
9-5	04008350	SAFETY VALVE BODY	18,10
10	94048400	PRESSURE GAUGE	76,30
11	94027350	JOINT	14,70
12	94049350	AIR REGULATOR BODY SET	205,80
13	06631012	O-RING	1,20
14	04016350	SPRING	5,20
15	04017350	REGULATOR SEAT	9,30
16	04018350	GUIDE	11,70
17	04019350	DIAPHRAGM SET	20,30
18	04023350	DIAPHRAGM SET SPRING	4,60
19	04038350	SPRING HOLDER	21,00
20	04024350	CAP	28,00
21	04025350	NUT	7,00
22	04026350	KNOB	11,10
23	94058350	NUT	7,00
24	94069350	VALVE	68,80



4

CUPS FILTERS & ADAPTERS





GRAVITY CUPS

Central 600 ml [ORDER INFORMATION](#)

MODEL	CODE	CONNECTION	Available for	€
PC-G600P-2	14019100	G1/4" (PF1/4")	WS-400 - LS-400 W300 WB (opt.) LPH-300	65,90
PCG-6P-2-AZ	W0CUPAZ90	G1/4" (PF1/4")	AZ3 HTE 2 - AZ3 HTE-S Impact	43,90
PCGP-6P-2B-AZ	W0CUPAZ85	G1/4" (PF1/4")	AZ3 HTE P.A.S. Concept	110,20
PCG-6-PE	14011001	M16 x 1.5F	W-400 Classic Series	60,00
PCG-6P-2B-AZ	W0012820100	G1/4" (PF1/4")	AZ3 HTE 2	15,70

Central 250 ml [ORDER INFORMATION](#)

MODEL	CODE	CONNECTION	Available for	€
PCG-3P-1	VPE 250	G1/8" (PF1/8")	LPH-80 (opt.)	16,90

Central 200 ml [ORDER INFORMATION](#)

MODEL	CODE	CONNECTION	Available for	€
PCG-2P-2	W0CUPAZ40IN	G1/4" (PF1/4")	W300 WB - LPH-300 (opt.) AZ4 HTE-S Impact Junior	40,80
PCG-2P-2B-AZ	W0CUPAZ40	G1/4" (PF1/4")	AZ40 HTE	17,50



Central 70 ml [ORDER INFORMATION](#)



MODEL	CODE	CONNECTION	Available for	€
PCG-1P-1	13678980	G1/8" (PF1/8")	LPH-80	22,70
PCG-1P-1B-AZ	W0012320100	G1/8" (PF1/8")	AZ5	8,80
PCG-1P-2	13001200	G1/4" (PF1/4")	AZ4 HTE-S Impact Junior	22,70



Side 200 ml & 130 ml [ORDER INFORMATION](#)

MODEL	CODE	CONNECTION	CAPACITY	Available for	€
PCG-52 AG	14018186F	G1/4" (PF1/4")	200 ml	RG-3L	38,40
PC-61	14018190	G1/4" (PF1/4")	130 ml	RG-3L - LPH-50	73,90



Paint Filters 60 mesh (250μ) [ORDER INFORMATION](#)

CODE	SIZE	Available for	€
94011240	60 mesh (250 μ)	WS-400 (600 ml) - LS-400 (600 ml) - W-300 WB (opt.)	2,80
03515500	60 mesh (250 μ)	W-400 Series (600 ml)	2,20
W2KIT06	60 mesh (250 μ)	W-300 WB (200 ml) - LPH-300 (opt.) - AZ3 HTE2 (600 ml) AZ3 HTE S Impact (600 ml) (5 pcs.)	22,10



3M PPS 2.0 ADAPTERS [ORDER INFORMATION](#)

CODE	MODEL	TYPE	AVAILABLE FOR	€
960075A0	CUPS ADAPTORS 3M PPS 2.0	S6	W-300 - LPH-300	53,60
960074A0		S2	W-400 - LPH-400	53,60
960059A0		S43	WS-400 - LS-400 - AZ3 HTE2 - AZ3 HTE S Impact	53,60
960076A0		S31	LPH-80	53,60

3M PPS 2.0 ADAPTER



ALUMINIUM GRAVITY CUPS

Central 1 liter [ORDER INFORMATION](#)

MODEL	CODE	CONNECTION	Available for	€
PCG10EM	VAIU6034E	M16 x 1.5F	W-400 Series	60,60



Central 700 ml [ORDER INFORMATION](#)

MODEL	CODE	CONNECTION	Available for	€
PCG7D-2	VAIU6032D	G1/4" (PF1/4")	WS-400 - LS-400 W-300 WB - LPH-300	56,00
PCG7EM	VAIU6033E	M16 x 1.5F	W-400 Serie	56,00



Central 400 ml

MODEL	CODE	CONNECTION	Available for	€
PCG4D-2	VAIU6031D	G1/4" (PF1/4")	WS-400 - LS-400 W-300 WB - LPH-300	50,70



Central 150 ml [ORDER INFORMATION](#)

MODEL	CODE	CONNECTION	Available for	€
PCG2D-2	VAIU6030D	G1/4" (PF1/4")	WS-400 - LS-400 W-300 WB - LPH-300	48,40
PCG2B-1	VAIU6036D	G1/8" (PF1/8")	LPH-80	48,40



Central 70 ml

MODEL	CODE	CONNECTION	Available for	€
PCG2D-1	VAIU6050	G1/8" (PF1/8")	LPH-80	36,80



HIGH T.E.C. UNDER GUN FILTERS for PRESSURE SPRAY GUNS

CODE	DESCRIPTION	QTY.	€
FILTER HOUSING: in Derlin material for solvent and water based paint			
VLA006225	HIGH T.E.C. FILTER HOUSING	F 3/8"-M 3/8"	36,80
VLA62251414	HIGH T.E.C. FILTER HOUSING	F 1/4"-M 1/4"	36,80
VLA62251438	HIGH T.E.C. FILTER HOUSING	F 3/8"-M 1/4"	36,80
FILTER: in Polyamide (PA) plain weave PLASTIC BODY: in Polypropylene (PP)			
VLA6225340	UNDERGUN FILTER	WHITE	3,60
VLA6225100	UNDERGUN FILTER	BLUE	3,60
VLA6225052	UNDERGUN FILTER	GREEN	3,60



GRAVITY & SUCTION CUPS



BLACK GRAVITY CUPS for UV CURED PAINT



MODEL	CODE	CONNECTION	Cty	Available for	€
UV CUP	W0CUPAZ91	G1/4" (PF1/4")	600 ml	AZ3 HTE Impact	43,90
PCG-6P-M-S1	13000330	G1/4" (PF1/4")	600 ml	W-400 Serie - LPH-400	61,20
PCG-2P-2-S1	140025A0	G1/4" (PF1/4")	200 ml	W-300 WB UV	37,30
PCG-1P-1-S1	13000230	G1/8" (PF1/8")	70 ml	LPH-80	23,30

SUCTION CUPS for MANUAL SPRAY GUNS

Central 1 liter [ORDER INFORMATION](#)

MODEL	CODE	CONNECTION	Available for	€
PC-12	14018200	G3/8" (PF3/8")	W-200 INTEGRA - W-77	97,50
PC1	14018000	G3/8" (PF3/8")	W-200 - W-77	104,70
PCL 10B3	14018621	G3/8" (PF3/8")	W-200 INTEGRA - W-77	79,20
PC19 B	14018151	G3/8" (PF3/8")	W-200 - W-77	188,80
AG-1	04006100	G3/8" (PF3/8")	AZ1 HTE S	37,90



Central 700 ml

MODEL	CODE	CONNECTION	Available for	€
PCL 7B 3	14018661	G3/8" (PF3/8")	AZ3 HTE IMPACT	73,60



5

GENERAL
ACCESSORIES
&
HEALTH
PROTECTION





ANEST IWATA **OVERALL** - PREMIUM QUALITY

Premium Overall provides high protection against overspray and prevents pollution of the painting job by fibers, dust and lint. Designed for full comfort with antistatic fiber.

PERSONAL PROTECTIVE EQUIPMENT (PPE)

Category I according to the European Directive 2016/425
Basic PPE protects against minimal risks.



OVERALL'S SIZE CHART

SIZE	S	M	L	XL
EU	46	48	50	52-54
HIGH	170-174 cm	174-178 cm	178-182 cm	182-190 cm
CHEST	86-94 cm	94-102 cm	102-110 cm	110-118 cm
WAIST	70-78 cm	78-86 cm	86-94 cm	94-102 cm



SAFETY EQUIPMENT

ORDER INFORMATION

CODE	DESCRIPTION	SIZE	€
150006A0	PREMIUM OVERALL	S	110,00
150007A0	PREMIUM OVERALL	M	110,00
150008A0	PREMIUM OVERALL	L	110,00
150009A0	PREMIUM OVERALL	XL	110,00

VISIONSHIELD PROTECTIVE **GOOGLES**

Polycarbonate lenses for medium energy hi-speed particles
The frame offers protection against large dust particles and liquid droplets.



SAFETY EQUIPMENT

CONFORMS TO
EN166:2001



ORDER INFORMATION

CODE	DESCRIPTION	€
AGN020-441-3P0	VISIONSHIELD GOOGLES	31,50

VISIONSHIELD PROTECTIVE **GLASSES**

Designed with soft rubber frame, with Polycarbonate lenses
and adjustable non-slip nose pad.



SAFETY EQUIPMENT

CONFORMS TO
EN166:2001



ORDER INFORMATION

CODE	DESCRIPTION	€
ASA770-15K-4P0	VISIONSHIELD GLASSES	24,40

AIR FED 2020 FULL FACE MASK



Compressed air-supplied respirator full face mask provides protection against airborne dusts, mists, gases and vapours. This system offers respiratory protection to class LDH 3 and hence offers a protection factor of up to 200 i.e.

EQUIPPED WITH:

Browguard and vizor - Cover for vizor - Waistbelt
Pre-set air regulator - Carbon filter - Gun hose fittings 1,25 m



SAFETY EQUIPMENT

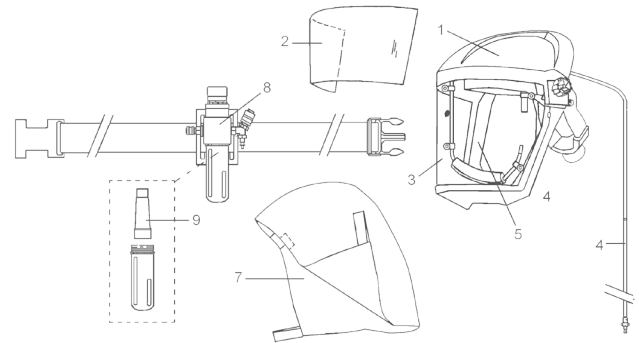
HOSE/AIRLINE BREATHING APPARATUS CONFORMS TO EN166:2001

VISOR CONFORMS TO EN166:2001



ORDER INFORMATION

CODE	DESCRIPTION	REF.	QTY.	€
VIUAF2020KIT	2020 AIR FED MASK			506,50
VIUAF2020HEAD	2020 HEADPIECE ONLY	1		267,00
VIUAF2020/K10-SV	VISOR PEEL OFF COVERS	2	(10 pcs)	39,10
VIUAF2020/K50-SV	VISOR PEEL OFF COVERS	2	(50 pcs)	60,50
VIUAF2020CHIN	CHIN GUARD AND FACESCREEN	4		62,90
VIUAF2020DIFF	DIFFUSER TUBE	5		171,10
VIUAF2101K5	HYGIENE KIT	6	(5 pcs)	103,30
VIUAF2103K5	NAPE COVERS	7	(5 pcs)	117,20
VIUAF2207	BELT REGULATOR	8		235,90
VIUAFG-N-AF-MC	5 µ CARBON FILTER	9		64,10
VIUAF2003	BELT ONLY			27,40
VIUAF2400	BRACKET ONLY			11,20
I-UK-AH008-FT26	STUB HOSE			39,40
VIUAF2010HRNS	ADJ HARNESS			21,40



HEALTH PROTECTION

VIPER HALF FACE GUARD MASK

HALF MASK with INTERCHANGEABLE COMBINED FILTERS

Half mask respirators with two different types of filtration designed for the protection against dust, gases and vapors. Built-in inhalation valves in the filter. Low inhalation resistance



A2 P3R FILTER FOR HIGH PROTECTION

Medium Capacity Organic Gas / Vapors Filter (Hydrocarbons & Solvents)
CONFORM TO: EN143:2000 + A1:2006

High Efficiency Particles Filters
CONFORM TO: EN14387:2004



AB1 P2R FILTER FOR STANDARD PROTECTION

Low Capacity Organic Gas / Vapors Filter (Hydrocarbons & Solvents)
CONFORM TO: EN143:2000 + A1:2006

Medium Efficiency Particles Filters
CONFORM TO: EN14387:2004



SAFETY EQUIPMENT

ORDER INFORMATION

CODE	DESCRIPTION	QTY.	€
150001A0	VIPER GUARD MASK (A2P3R Half Face Mask)		71,70
150002A0	VIPER GUARD MASK (AB1P2R Half Face Mask)		72,50
VIUGVM123	A2P3R FILTER SET	(2 pcs)	32,60
VIUGVM510	AB1P2R FILTER SET	(2 pcs)	33,70
VIUGVM002KIT	P2R PRE-FILTER SET	(4 pre-filters/2 holders)	11,00





6

CLEANING
MAINTENANCE
&
AIR
QUALITY



PCA 12.0 & HCA 12.0

ANEST IWATA Manual Pressure Atomizers are especially suited for automotive industry, motorcycle and bicycle garages, machine and metalworking industries and workshops.
1 Lt. Capacity with special adjustable nozzle (ø 0.8 mm) with nickel-plated brass piston pump.

Available in 2 different models:
PREMIUM QUALITY Version PCA 12.0 & HIGH QUALITY Version HCA 12.0

Acids ●
Alkalis ●
Solvents ●
RESISTANT

PREMIUM QUALITY

ORDER INFORMATION

CODE	DESCRIPTION	€
W2COM6226	SPRAY GUN CLEANING APPLICATOR PCA 12.0 Premium Quality (Super Seal BMS 210)	116,90



PCA12.0
PREMIUM QUALITY Cleaning Applicator



AGGRESSIVE CLEANERS

with SUPER SEAL BMS 201

HIGH QUALITY

ORDER INFORMATION

CODE	DESCRIPTION	€
W2COM6225	SPRAY GUN CLEANING APPLICATOR HCA 12.0 High Quality (Viton Seal FPM)	89,60



HCA12.0
HIGH QUALITY Cleaning Applicator

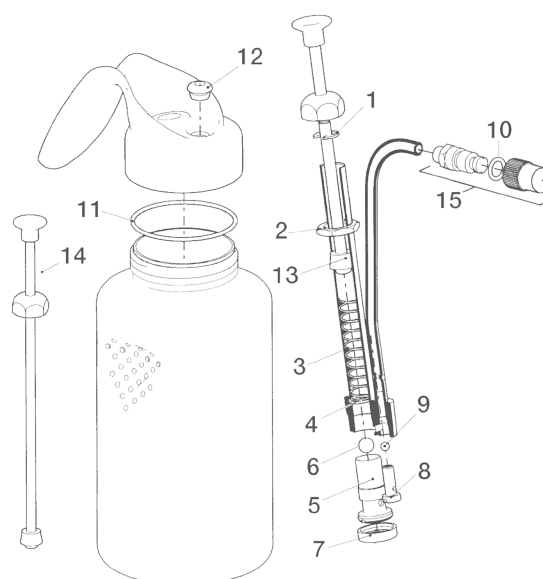


MILD CLEANERS

with VITON SEAL FPM

SPARE PARTS

CODE	DESCRIPTION	REF.	€
W2KIT70	MAINTENANCE KIT		13,40
	PROTECTION WASHER	1	
	NUT	2	
	PRESSURE SPRING	3	
	WASHER	4	
	SUCTION VALVE	5	
	BALL 7/32"	6	
	SUCTION FILTER CPL.	7	
	PRESSURE VALVE	8	
	BALL 1/8"	9	
W2KIT71	PACKING SET - HCA (FPM - GREEN)		20,20
	O-RING 7,66x1,78	10	
	GASKET 57.5x53x2 PE	11	
	PRESSURE TUBE JOINT	12	
	SLEEVE	13	
W2KIT72	PACKING SET - PCA (BMS 210 - BLACK)		128,70
	O-RING 7,66x1,78	10	
	GASKET 57.5x53x2 PE	11	
	PRESSURE TUBE JOINT	12	
	SLEEVE	13	
W2KIT73	PISTON SET	14	24,00
W2KIT74	ADJUSTABLE NOZZLE SET Ø 0.8 mm	15	49,50



CLEANING & MAINTENANCE TOOLS



W2KIT55UK KIT

Our Spray Gun Cleaning Kit includes the same important tools which Technical Services use to clean and restore spray gun to perfect working conditioning. Containing all the essential cleaning items including:

- 2 Big Surface Brushes - 1 Flat Brush - 1 Big Twisted Brush - 3 Twisted Brushes (1x Ø 10 mm - 1x Ø 5 mm - 1x Ø 3 mm)
- 1 Tiny Twisted Brush - 12 Cleaning Needles
- Premier Maintenance Grease.



CLEANING & MAINTENANCE



NR.	CODE	DESCRIPTION	QTY.	€
1	W2KIT55UK	SPRAY GUN MAINTENANCE TOOL KIT		77,10
2	W2COM6124	FLAT BRUSHES	(5 pcs./1pk.)	9,80
3	W2COM6163	BRUSHES	(5 pcs./1pk.)	12,80
4	W2COM6125	BIG SURFACE BRUSHES	(3 pcs./1pk.)	24,00
5	W2COM6126	BIG TWISTED BRUSHES Ø 15mm	(5 pcs./1pk.)	17,50
6	W2COM6162	TWISTED BRUSHES Ø 10mm	(5 pcs./1pk.)	15,20
7	W2COM6161	TWISTED BRUSHES Ø 5mm	(5 pcs./1pk.)	12,80
8	W2COM6127	TINY TWISTED BRUSHES Ø 3mm	(4 pcs./1pk.)	28,00
9	W2COM6128	VERY TINY TWISTED BRUSHES	(4 pcs./1pk.)	44,90
10	W2COM6164	CLEANING NEEDLES	(12 pcs./1pk.)	25,00
11	930171A0	UNIVERSAL SPANNER		8,80
12	W2COM6129	SPANNER FOR LOCK ADJ. & NEEDLE PACKING		6,40
13	03506480K	ALLEN WRENCH for Supernova series	(3 pcs./1pk.)	5,90
14	93280881	SPANNER for LPH-80/RG-3L		15,70
15	W2COM6165	PREMIER MAINTENANCE GREASE (20 ml)		7,00
16	13908061	AG-6 AIR DUSTER GUN		38,40

The bristles of all brushes are resistant to solvents and paint thinner and they are ideal to clean all types of spray guns.

NEW



BRUSH in BAMBOO

Ref. 3 _included in Kit W2KIT55UK



MANUAL WASHING

KUIK MINI GUN WASHER

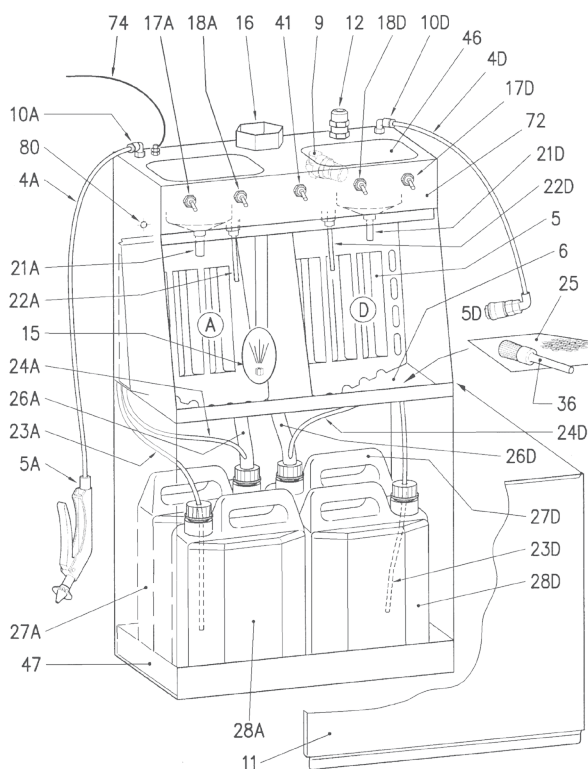
Combined water/solvent mini gun washer with double compartment, light and compact with built-in aspiration system, suitable for installation inside or outside the spray booth. With blow gun included.



TECHNICAL DATA	
OPERATING PRESSURE	8 bar
TANK CAPACITY	5 lt
DIMENSIONS	450x250x840 mm
MASS	15 kg

ORDER INFORMATION

CODE	DESCRIPTION	REF.	€
IWK-KUIK	KUIK MINI GUN WASHER MANUAL		2255,00
10200135-4A	BLOWING GUN SUPPLY AIR HOSE + JOINT	4A	19,40
10200135-4D	LOW PRESSURE SUPPLY AIR HOSE (FOR SPRAY GUN) + JOINT	4D	19,40
10200135-5A	BLOWING GUN + JOINT	5A	71,20
10200135-5D	QUICK JOINT GUN CONNECTION	5D	25,50
10200135-9	INNER PRESSURE REGULATOR	9	47,90
10200135-11	LOWER DOOR	11	131,90
10200135-12	AIR INLET FITTING WITH FILTER	12	46,80
10200135-15	VAPOUR SUCTION NOZZLE	15	9,60
10200135-17A	CONTROL VENTURI PUMP SWITCH (DIRTY WATER)	17A	60,20
10200135-17D	CONTROL VENTURI PUMP SWITCH (DIRTY SOLVENT)	17D	60,20
10200135-18A	CONTROL ATOMIZER SWITCH (CLEAN WATER)	18A	60,20
10200135-18D	CONTROL ATOMIZER SWITCH (CLEAN SOLVENT)	18D	60,20
10200135-21A	VENTURI PUMP (DIRTY WATER AND DETERGENT)	21A	207,30
10200135-21D	VENTURI PUMP (DIRTY SOLVENT)	21D	207,30
10200135-22A	NEBULIZER (CLEAN WATER AND DETERGENT)	22A	109,00
10200135-22D	NEBULIZER (CLEAN SOLVENT)	22D	109,00
10200135-23A	NEBULIZER SUPPLY HOSE ZONE A	23A	9,50
10200135-23D	NEBULIZER SUPPLY HOSE ZONE D	23D	9,50
10200135-24A	VENTURI PUMP SUPPLY HOSE ZONE A	24A	9,50
10200135-24D	VENTURI PUMP SUPPLY HOSE ZONE D	24D	9,50
10200135-25	WORKTOP GRILLE	25	33,60
10200135-26A	DRAIN HOSE ZONE A	26A	12,40
10200135-26D	DRAIN HOSE ZONE D	26D	12,40
10200135-27A	TANK OF DIRTY WATER AND DETERGENT	27A	19,40
10200135-27D	TANK OF DIRTY SOLVENT	27D	19,40
10200135-28A	TANK OF CLEAN WATER AND DETERGENT	28A	19,40
10200135-28D	TANK OF CLEAN SOLVENT	28D	19,40
10200135-36	WASHING BRUSH	36	28,70
10200135-41	CONTROL SWITCH VAPOURS SUCTION	41	60,40
10200135-72	CONTROL PANEL LABEL	72	25,50
1020H2HRE5	AQUAREVIVE DETERGENT 5 lt.		190,70



MANUAL WASHING



IWK-H2O GUN WASHER

IWK H2O FOR WATER BASED PAINT ONLY:

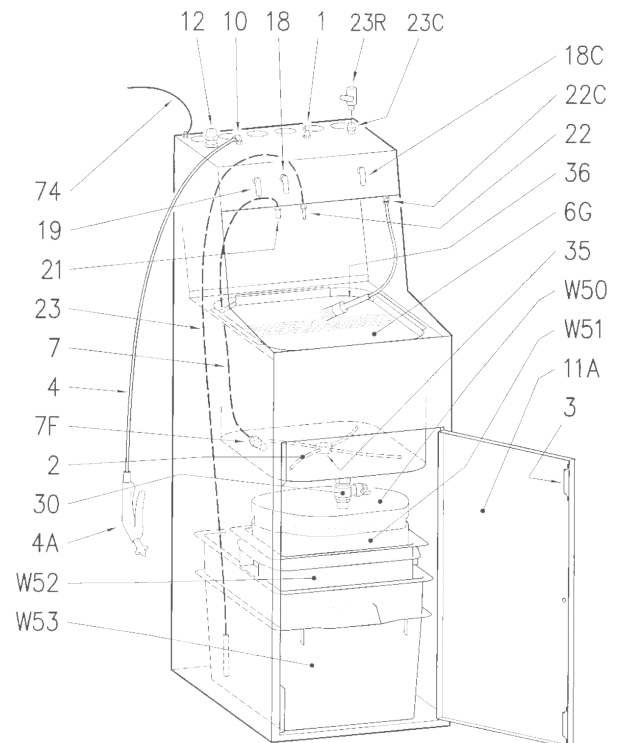
Pneumatically operated machine for manually washing from water-based paint of spray guns and small objects. The spray-washer is fitted with a small pump and sprayer which draws clean water from a container located at the bottom of the machine and a second sprayer for final washing which is connected to the company's water supply. A blowing gun then cleans and dries the guns and washed pieces.



TECHNICAL DATA	
OPERATING PRESSURE	6-10 bar
TANK CAPACITY	50 lt. (Stainless Steel)
TANK CAPACITY	70 lt. (lower tank)
DIMENSIONS	450x660x1335 mm
MASS	44 kg

ORDER INFORMATION

CODE	DESCRIPTION	REF.	€
10200081	IWK H2O SPRAY GUN WASHER MANUAL		2948,00
1020IWKH21	FLOW REGULATOR	1	44,20
1020IWKH23	DOOR MAGNET	3	13,00
1020IWKH24	AIR FEED HOSE	4	20,50
1020IWKH24A	BLOWING GUN	4A	75,50
1020IWKH26G	GRILLE	6C	164,80
1020IWKH224	PUMP SUPPLY HOSE	7	31,50
1020IWKH2H7F	PUMP SUPPLY FILTER	7F	75,60
1020IWKH211A	LOWER DOOR	11A	136,50
1020IWKH212	AIR INLET FITTING WITH FILTER	12	48,40
1020IWKH218K	CONTROL PANEL KIT WITH LEVER	18	147,90
1020IWKH218C	CONTROL VALVE KIT WITH LEVER	18C	45,50
1020IWKH218CL	ONLY CONTROL LEVER	18CL	6,00
1020IWKH221	PUMP	21	249,80
1020IWKH222	NEBULISER	22	93,80
1020IWKH222C	SPRAY NOZZLE	22C	20,00
1020IWKH223	NEBULISER SUPPLY HOSE	23	31,50
1020S3723R	WATER FLOW CONTROL VALVE	23R	35,00
1020IWKH230	DRAIN VALVE	30	47,00
1020IWKH235	AIR DIFFUSER	35	90,90
1020IWKH36	WASHING BRUSH	36	34,60
1020IWKH237	CONNECTION HOSE FOR WASHING BRUSH	37	16,60
1020IWKH2W50B	BAG PRE-FILTERS KIT (5 pcs./1pk.)	W50	60,40
1020IWKH2W51B	BAG FILTER	W51	44,40
1020IWKW52	CONTAINER (FILTERING +DECANTATION)	W52	116,80
1020IWKW53	CONTAINER (for REGENERATED WATER)	W53	136,30
1020S37T	SPRAY GUN NOZZLE	T	17,50
1020H2HRE5	AQUAREVIVE DETERGENT 5 lt.		190,70



MANUAL & AUTOMATIC GUN WASHERS

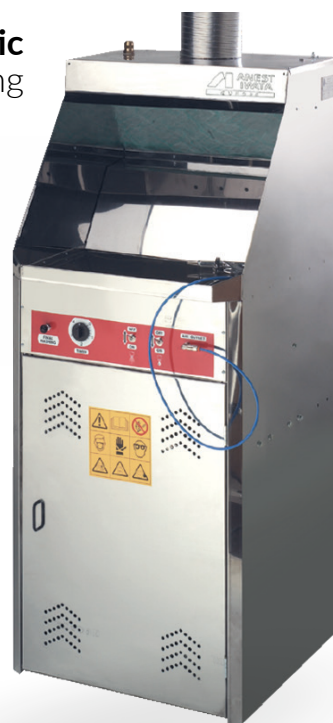
INOX LINE SOL (SLD)

Manual & Automatic
Washing

FEATURES

- Automatic and manual gun washer with final manual rinse.
- Stainless steel Electroclean body and tank
- Test booth and Venturi exhaust system
- Drying gun
- Possible to connect with a distiller

TECHNICAL DATA	
MASS	63 kg
OPERATING PRESSURE	6~10 bar
DIMENSIONS	600x700x1490 mm
EACH SINGLE TANK CPTY	25 lt.
NO OF GUNS WASHED PER CYCLE	2



ORDER INFORMATION

CODE	DESCRIPTION	€
10200S32	INOX LINE SLD MANUAL & AUTOMATIC GUN WASHER	14818,50

INOX LINE IWK SLB & IWK SLC

TECHNICAL DATA	
MASS	42 kg
OPERATING TEMPERATURE	6~10 bar
DIMENSIONS	600x700x1100 mm
EACH SINGLE TANK CPTY	25 lt.



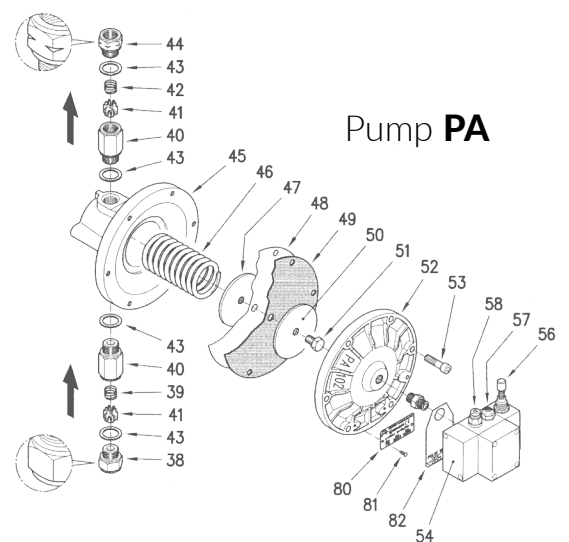
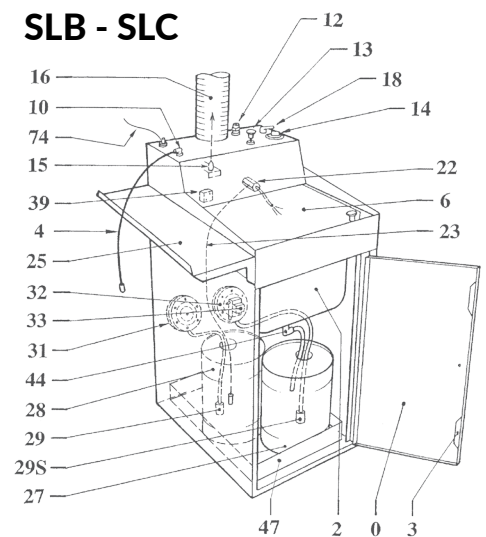
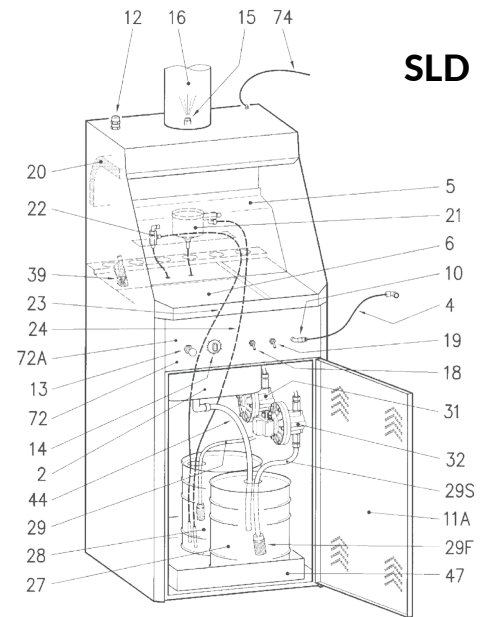
ORDER INFORMATION

CODE	DESCRIPTION	€
10200125	IWK SLB GUN WASHER without AUTOMATIC FINAL CLEANING	3360,00
10200120	IWK SLC GUN WASHER with AUTOMATIC FINAL CLEANING	3842,00

SPARE PARTS



CODE	DESCRIPTION	REF.	SLB/C	SLD	€
1020S32189	FILTER CARTRIDGE ACTIVE CARBON				966,90
1020SOLO	LOWER DOOR	0	X		140,80
1020SOL3	DOOR MAGNET	3	X		15,10
1020S324	AIR FEED HOSE	4		X	20,50
1020SOL4	AIR FEED HOSE	4	X		21,10
1020S325	VAPOUR AND AIR CONVEYOR	5		X	107,40
1020S3211A	LOWER DOOR	11A		X	194,60
1020S3212	AIR INLET FITTING WITH FILTER	12		X	49,40
1020SOL12	AIR INLET FITTING WITH FILTER	12	X		50,90
1020S3213	PUSH-BUTTON	13		X	78,40
10200219	PUSH-BUTTON	13	X		78,40
1020S3214	TIMER	14		X	252,30
1020SOL14	TIMER	14	X		260,50
1020S3215	VAPOUR SUCTION NOZZLE	15		X	37,90
1020SOL15	VAPOUR SUCTION NOZZLE	15	X		10,50
1020S3216	VAPOUR EXHAUST PIPE	16		X	66,90
1020SOL16	VAPOUR EXHAUST PIPE	16	X		50,90
1020S3218	ATOMIZER CONTROL VALVE	18		X	64,00
1020SOL18BK	ATOMIZER CONTROL VALVE	18	X		77,90
1020SOL18L	LEVER	18	X		6,0
1020S3219	CONTROL VALVE PUMP	19		X	64,00
1020S3220	DRY FILTER	20		X	32,10
1020S3721	PUMP	21		X	220,00
1020S3722	NEBULIZER	22	X	X	115,70
1020S3223	NEBULIZER SUPPLY HOSE	23		X	32,10
1020SOL23	NEBULIZER SUPPLY HOSE	23	X		33,20
1020S3224	PUMP SUPPLY HOSE	24		X	32,10
1020SOL25	WORK SURFACE	25	X		87,20
1020S3229	HOSE (CLEAN SOLVENT)	29		X	84,30
1020SOL29	HOSE (CLEAN SOLVENT)	29	X		87,20
1020SOL29D	FILTER(CLEAN SOLVENT)	29D		X	20,90
1020SOL29F	FILTER (USED DETERGENT)	29F		X	72,20
1020S3229F	FILTER (USED DETERGENT)	29F	X		72,60
1020S3229S	HOSE (USED DETERGENT)	29S		X	95,90
1020SOL29S	HOSE (USED DETERGENT)	29S	X		98,30
1020SOL29F2	HOSE (USED DETERGENT)	29S	X		27,70
1020S3231	CLEAN DETERGENT PUMP	31		X	632,50
1020SOL31	CLEAN SOLVENT PUMP	31	X		108,40
1020S3232	USED DETERGENT PUMP	32		X	897,20
1020SOL32	AUTOMATIC WASHER PUMP	32	X		790,30
1020PA38K	COMPLETE INLET VALVE KIT	38-38A-39-40-41-43	X	X	63,90
1020S3239	SAFETY VALVE	39		X	95,90
1020SOL39	SAFETY VALVE	39	X		231,20
1020PA44K	COMPLETE OUTLET VALVE KIT	40-41-42-43-44	X	X	64,00
1020S3244	DRAIN HOSE	44		X	17,50
1020SOL44	DRAIN HOSE	44	X		18,10
1020S3247	COLLECTING TANK	47		X	191,60
1020SOL47	COLLECTING TANK	47	X		147,90
1020PA48K	COMPLETE DIAPHRAGM KIT	47-48-49-50-51	X	X	168,00
1020PA54K	PNEUMATIC VALVE COMPLETE	54-56-57-58	X	X	238,70
1020S3272	CONTROL PANEL ADHESIVE	72		X	37,90
1020S3274	EARTH WIRE	74		X	29,20
1020SOLD	DRILLED SCREW	D	X		32,90
1020SOLF	CUP SUPPORT	F	X		80,90
1020S32H	WASHING SUPPORT	H		X	64,00
1020SOLH	WASHING SUPPORT	H	X		75,00
1020SOLL1	INTERNAL SPRAYER	L/L1	X		52,80
1020S32M	ALUMINIUM HOSE KIT	M		X	432,50
1020SOLM	BRASS HOSE KIT	M	X		490,80
1020S32M1	CAPSTAN SCREW	M1		X	10,30
1020S32M2	CROSSPIECE JOINT	M2		X	43,50
1020SOLN	PROTECTION PLUG	N	X		6,00
1020PA46	STAINLESS STEEL SPRING	PA46	X	X	58,30
1020PA57	DISCHARGE SILENCER	PA57	X	X	13,90
1020PA58	AIR INLET FITTING	PA58	X	X	11,00
1020S32PQ	SPECIAL CLAMP	PQ		X	26,20
1020SOLPQ	SPECIAL CLAMP	PQ	X		26,20
1020S32R	NET KNOB IN ALUMINIUM	R		X	6,00
1020S32T	NOZZLE	T		X	17,50
1020SOLT	NOZZLE	T	X		14,30
1020S32U	ALUMINIUM NET	U		X	78,40
1020S32V	SPRAY NOZZLE	V		X	52,30
1020S32Z	INTERNAL SPRAY NOZZLE	Z		X	43,50
1020SOLZ	JET FOR SUCTION GUNS	Z	X		32,10
1020H2HRE5	AQUAREVIVE DETERGENT 5 lt.				190,70



MAGNETIC SUPPORTS & GUN HOLDERS

MAGNETIC STAND - Magnetic Support

FEATURES

- Practical for every body shop fast, flexible and reliable adhesion on all metal surfaces thanks to an extra-strong all-surface magnet.
- Hold up to 20 kg (each holder, measured on a clean metal surface).
- Significant space savings in working area.
- Easy removal from spray both.



ORDER INFORMATION

CODE	DESCRIPTION	REF.	€
W2COM6052	MAGNETIC SPRAY GUN HOLDER (for 3 Spray Guns)	1	66,10
W2COM6120	MAGNETIC SPRAY GUN HOLDER (1 Single Spray Gun)	2	33,70
W2COM6093	MAGNETIC ADAPTOR HOLDER (for PPS-RPS Adaptors)	3	18,70
W2COM6094	MAGNETIC AIR HOSE HOLDER (Max. Hose lenght 20 m)	4	70,00

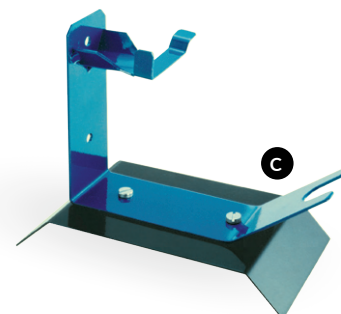
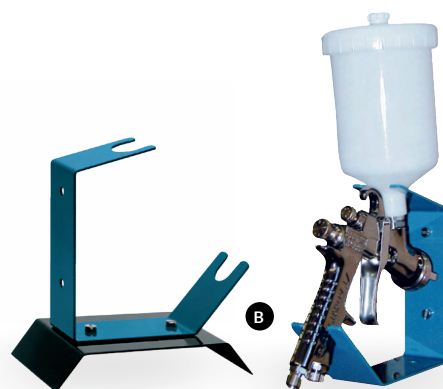
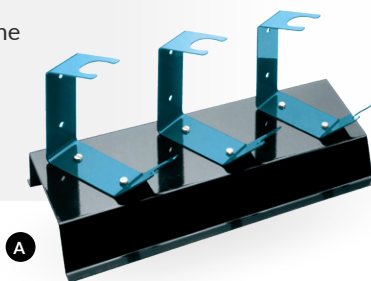
GRAVITY GUN HOLDERS

FEATURES

Suitable to hold Gravity Guns after use or during the filling of the cup

Available in 3 versions with base:

- Single Central Gravity (wall mountable)
- Multiple Central Gravity (3 places)
- Single Side Gravity



ORDER INFORMATION

CODE	DESCRIPTION	REF.	€
W2501000500	CENTRAL GRAVITY GUN HOLDER (3 SPRAY GUNS)	A	86,30
W2501000100	CENTRAL GRAVITY GUN HOLDER (1 SPRAY GUN) WALL MOUNTABLE	B	27,70
W2501000600	SIDE GRAVITY GUN HOLDER (Single)	C	33,80

MAGNETIC SPRAY TESTER



FEATURES

- Portable spray pattern tester for regular monitoring of the spray pattern quality.
- Fast, flexible and reliable adhesion of the spray pattern tester on all metallic surfaces thanks to an extra-strong full-surface magnet.
- Easy wall mounting: no drilling, no screws
- Perfect horizontal alignment by an integrated vial in the spray ruler.
- Dimensions: 46 cm (B) x 75 cm (H) x 5 cm (T)



ORDER INFORMATION

CODE	DESCRIPTION	€
W2COM6118EN	MAGNETIC SPRAY TESTER (COMPLETE SET)	276,00
W2KIT51	PAPER BLOCKS (2 Blocks of 30 Sheets)	44,30
W2COM6151	LEVEL VIAL	4,60
W2COM6153	SPRAY RULER	30,90



HOW TO USE



with **SPRAY RULER & LEVEL VIAL**



AIR FILTER REGULATORS 1/2"

Our Air Filter Regulators are high quality stages filter units providing safe, breathable air for the spraybooth. They provides enough air to run two spray guns, plus high quality breathable air for up to two air-fed masks. Feature a robust die cast alloy filter body with glass windows that enable you to see the condition of the filters. The gauge is built into regulator for safety, which is easily removed for cleaning. They also include one-twist quick release bowls, for ease of maintenance, and nitrile rubber seals for longer life.

SINGLE-STAGE 1/2"

ORDER INFORMATION

CODE	DESCRIPTION	€
DE120023	AIR FILTER REGULATOR 1/2"F - SINGLE-STAGE 5µ NM	465,00
D9250041	FILTRATION CARTRIDGE 5µ NM	18,10



DOUBLE-STAGE 1/2"

ORDER INFORMATION

CODE	DESCRIPTION	€
DE120024	AIR FILTER REGULATOR 1/2"F - DOUBLE-STAGE	952,00
D9250041	FILTRATION CARTRIDGE 3 µ NM	18,10
D9250052	FILTRATION CARTRIDGE 0,01 µ NM	117,70



TRI-STAGE 1/2"

ORDER INFORMATION

CODE	DESCRIPTION	€
DE120025	AIR FILTER REGULATOR 1/2"F - TRI-STAGE	1211,00
D9250041	FILTRATION CARTRIDGE 3 µ NM	18,10
D9250052	FILTRATION CARTRIDGE 0,01 µ NM	117,70
D9250053	ACTIVE CARBON FILTER	142,70



CONDUCTIVE AIR/FLUID HOSES & COUPLINGS



PREMIUM ANTISTATIC AIR HOSE RENEWAL

FEATURES

Antistatic Air Hose with:

- High-strength synthetic textile braid.
- Clamped with fittings and safety quick coupling: air hose is vented in a first step and can then be safely disconnected in the second step.
- Very light, flexible in itself, noticeably handier.
- Quick coupling (NW 7.2) and nipple in Nickel Plated Brass.



ORDER INFORMATION

CODE	DESCRIPTION	€
001250916P	PREMIUM ANTISTATIC AIR HOSE (12,5m)	155,00

CONDUCTIVE TWIN HOSES AIR & FLUID

ORDER INFORMATION

CODE	DESCRIPTION	MT		CONNECTION	€
001004020	CONDUCTIVE TWIN HOSE	2	Air / Fluid	1/4"-1/4"	58,50
001004050	CONDUCTIVE TWIN HOSE	5	Air / Fluid	1/4"-1/4"	89,60
001004075	CONDUCTIVE TWIN HOSE	7.5	Air / Fluid	1/4"-1/4"	109,80
001004100	CONDUCTIVE TWIN HOSE	10	Air / Fluid	1/4"-1/4"	134,10
001004150	CONDUCTIVE TWIN HOSE	15	Air / Fluid	1/4"-1/4"	225,90



QUICK COUPLINGS



PIVOT QUICK COUPLINGS



AIR HOSE FITTING CONNECTORS

ORDER INFORMATION

CODE	DESCRIPTION	QN.	€
W2KIT41	AIR HOSE FITTING JOINT (FR - small hole)	(5 pz./1pk.)	29,60
W2KIT40	AIR HOSE FITTING JOINT (DE - big hole)	(5 pz./1pk.)	29,60
14375800	AIR HOSE "L" SWIVEL JOINT	-	25,00
VGRSWF	PIVOT QUICK COUPLING 1/4" F		16,30
VGRSWM	PIVOT QUICK COUPLING 1/4" M		16,30
VL-RUB-F	AIR HOSE FITTING EURO CONNECTOR F 3/8"		X
VL-RUB-M	AIR HOSE FITTING EURO CONNECTOR M 3/8"		X



**AIR HOSE FITTING JOINTS
FR o DE**



AIR HOSE "L" SWIVEL JOINT



PRESSURE GAUGES

HVC AIR PRESSURE REGULATOR

FEATURES

- Air Pressure Gauge/Regulator
- Joints G1/4"
- Anodized aluminium body
- Chrome plated steel gauge case
- Glass clock face
- Metal needle
- Control range 0-6 bar (Pressure resistant up to 12 bar)



ORDER INFORMATION

CODE	DESCRIPTION	€
150003A0	HVC AIR PRESSURE REGULATOR	73,30

AFV-2 AIR PRESSURE REGULATOR

FEATURES

- Air Pressure Gauge/Regulator
- Quick Joints EU Standard
- Chrome plated brass body
- Chrome plated gauge case
- Control range 0-6 bar (Pressure resistant up to 12 bar)



ORDER INFORMATION

CODE	DESCRIPTION	€
14378630	AFV-2 AIR PRESSURE REGULATOR	93,00
W3COM6065	PRESSURE GAUGE	23,20

AFV-1 AIR PRESSURE REGULATOR

FEATURES

- Air Pressure Gauge/Regulator
- Joints G1/4"
- Chrome plated brass body
- Chrome plated gauge case
- Control range 0-6 bar (Pressure resistant up to 12 bar)



ORDER INFORMATION

CODE	DESCRIPTION	€
14378610	AFV-1 AIR PRESSURE REGULATOR	80,90
W3COM6065	PRESSURE GAUGE	23,20

IMPACT CONTROLLER 2

FEATURES

- Air Pressure Gauge/Regulator
- Joints G1/4"
- Chrome plated aluminium body
- Steel gauge case
- Control range 0-10 bar



ORDER INFORMATION

CODE	DESCRIPTION	€
W2012920700	IMPACT CONTROLLER2 - AIR PRESSURE REGULATOR	53,70

7

DRYING SYSTEMS



INFRARED UNIT

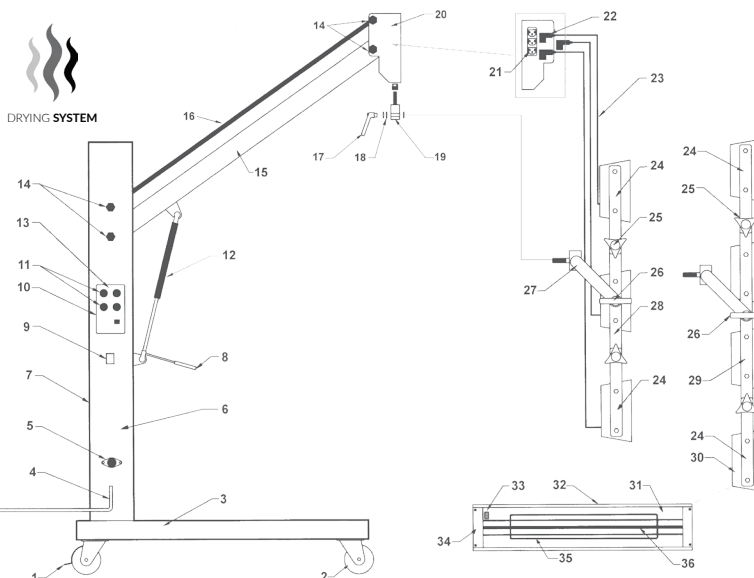


The short-wave infrared lamps are designed for use in workshops and body shops, they are easily used to provide fast and correct drying of the paint in all painting phases. The Anest Iwata infrared lamps are simple to use and used in a mobile way reduce drying times to a minimum. They are provided in different Kw series; 1Kw (hand held model), 3-4.5Kw, 4Kw and 6Kw (mobile models).

FEATURES

The use of short-wave infrared technology, it allows to dry the primer, the base coat and the top coat in about 10 minutes unlike of the 45 minutes required by an oven.

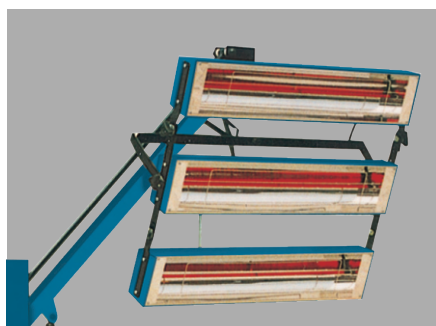
The mobile infrared drying system provides a fast and efficient response in all local car refinish repairs.



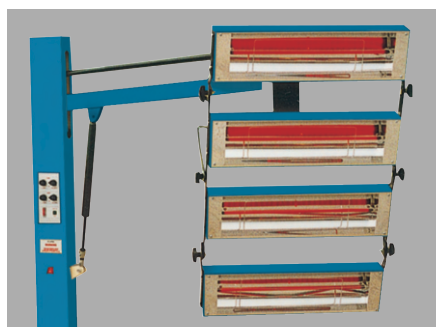
SERIES 1Kw



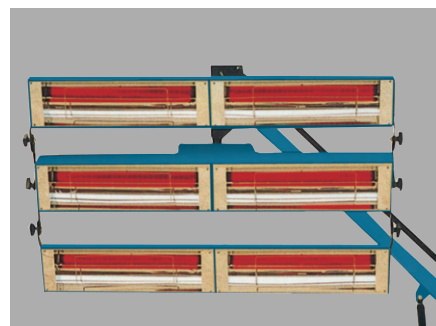
SERIES 3 Kw



SERIES 4 Kw



SERIES 6 Kw



ORDER INFORMATION

CODE	DESCRIPTION	€
HEAT T.E.C. 1000 (1 Kw Series)		
VIU100000	HAND HELD MODEL	570,00
VIU100010	HAND HELD MODEL WITH SEPARATE STAND	620,00
VIU100010T	HAND HELD MODEL WITH SEPARATE STAND + TIMER	790,00
VIU100020	2 HAND HELD MODEL WITH ONE STAND	1241,00
VIU100020T	2 HAND HELD MODEL WITH SEPARATE STAND + TIMER	1279,00
HEAT T.E.C. 3000 (3 Kw Series) Coverage Area 800x1000 mm		
VIU100030	MOBILE INFRARED UNIT	3560,00
VIU100030DSTS	MOBILE INFRARED UNIT + DISTANCE & TEMPERATURE SENSOR	4580,00
HEAT T.E.C. 4000 (4 Kw Series) Coverage Area 800x1300 mm		
VIU100040	MOBILE INFRARED UNIT	3775,00
VIU100040DSTS	MOBILE INFRARED UNIT + DISTANCE & TEMPERATURE SENSOR	4543,00
HEAT T.E.C. 4500 (4.5 Kw Series) Coverage Area 1250x1000 mm		
VIU100045	MOBILE INFRARED UNIT	3596,00
VIU100045DSTS	MOBILE INFRARED UNIT + DISTANCE & TEMPERATURE SENSOR	4778,00
VIU300045	MOBILE INFRARED UNIT (THREE-PHASE)	3775,00
VIU300045DSTS	MOBILE INFRARED UNIT + DISTANCE & TEMPERATURE SENSOR	4957,00
HEAT T.E.C. 6000 (6 Kw Series) Coverage Area 2000x1000 mm		
VIU100060	MOBILE INFRARED UNIT	5106,00
VIU100060DSTS	MOBILE INFRARED UNIT + DISTANCE & TEMPERATURE SENSOR	8344,00
VIU100060DSTS	MOBILE INFRARED UNIT (THREE-PHASE)	6170,00
VIU300060DSTS	MOBILE INFRARED UNIT + DISTANCE & TEMPERATURE SENSOR	7358,00

SPARE PARTS

REF.	CODE	DESCRIPTION	220/240 Volt				380/415 Volt		€
			3 KW	4 KW	4.5 KW	6 KW	4.5 KW	6 KW	
1	VIU991594	CASTOR WITH BRAKE	2	2	2	2	2	2	63,40
2	VIU991595	CASTOR WITHOUT BRAKE	2	2	2	2	2	2	62,40
3	VIU410010B	U BASE (NO CASTORS)	1	1	1	1	1	1	810,80
4	VIU40001L	MAIN CABLE WITHOUT PLUG (240V 3KW/4KW/4.5KW)	1	1	1				155,50
4	VIU60001L	MAIN CABLE WITHOUT PLUG (240V 6KW)				1			175,60
4	VIU630001L	MAIN CABLE WITHOUT PLUG 3 PHASE					1	1	175,60
5	VIU363741	TRIAC POWER CONTROL	1	1	1	1	3	3	108,00
6	VIU410042	FRONT PANEL METAL COVER ONLY	1	1	1	1	1	1	413,20
7	VIU410100B	MAIN UPRIGHT (METAL PART ONLY)	1	1	1	1	1	1	898,00
8	VIUGSL	GAS STRUT LEVER	1	1	1	1	1	1	24,00
9	VIU41059EUR	MAIN SWITCH 3/4/4.5 KW SINGLE PHASE	1	1	1				59,60
9	VIU311-5256	MAIN SWITCH 6 KW SINGLE PHASE WITHOUT KNOB				1			189,00
9	VIU350-0840	KNOB FOR 6KW SWITCH					1	1	60,90
9	VIU332-155	MAIN SWITCH 6KW 3 PHASE				1			248,50
10	VIUHLPPCB-DS	DISTANCE CIRCUIT BOARD MODELS 220/240V	1	1	1	1			670,00
10	VIUHLPPCBXL	TEMP. + DISTANCE CIRCUIT BOARD MODELS 240V	1	1	1	1			1530,50
10	VIUHLPPCBXL-P	TEMP. + DISTANCE HEAD CIRCUIT BOARD ALL MODELS	1	1	1	1	1	1	587,20
10	VIUHLPPCB	CIRCUIT BOARD SINGLE PHASE	1	1	1	1			999,40
10	VIUHLPPCB-3	CIRCUIT BOARD THREE PHASE					1	1	1080,00
11	VIU320295	BLACK KNOB FOR CONTROL CIRCUIT BOARD	4	4	4	4	4	4	4,80
12	VIUGS	GAS STRUT ONLY 3/4/4.5 KW (WITHOUT LEVER)	1	1	1				445,30
12	VIUGSA	GAS STRUT ONLY 6 KW (WITHOUT LEVER)				1		1	581,20
13	VIU410051B	CONTROL PANEL LABEL AI	1	1	1	1	1	1	25,50
14	VIU009NC	NUT CAP M12	8	8	8	8	8	8	4,10
15	VIU410099B	TOP SUPPORT ARM	1	1	1	1	1	1	238,70
16	VIU410098	TOP TIE BAR (ALL MODELS)	1	1	1	1	1	1	194,50
17	VIU410078	RATCHET HANDLE	1	1	1	1	1	1	43,50
18	VIUM12WSET	WASHERS FOR CASSETTE SUPPORT LOCKING HANDLE	1	1	1	1	1	1	4,00
19	VIU410017	SWIVEL BLOCK	1	1	1	1	1	1	134,80
20	VIU410018	HEAD	1	1	1	1	1	1	270,00
21	VIU410020	QUAD BLOCK SOCKET SINGLE PHASE MODELS	1	1	1	1			71,80
21	VIU23-0117	QUAD BLOCK SOCKET 3 PHASE MODELS					3	3	25,50
22	VIU410061	KETTLE PLUG	3	4	3	3	3	3	27,20
23	VIU10005	CASSETTE CABLE ASSEMBLY C/W PLUG	3	4	3	3	3	3	59,60
24	VIU410076	UNIVERSAL OUTER STRAP	4	4	4	4	4	4	56,80
25	VIU410077	TRI KNOB	4	4	4	4	4	4	7,30
26	VIU411200	T KNOB	2	2	2	2	2	2	8,60
27	VIU410080	OVERHEAD CASSETTE SUPPORT ARM 3KW/4KW	1	1					301,50
27	VIU450012	OVERHEAD CASSETTE SUPPORT ARM 4.5KW				1		1	463,20
27	VIU410073	OVERHEAD CASSETTE SUPPORT ARM 6KW			1		1		382,40
28	VIU410075	CENTRE STRAP 3 HEAD	2		2	2	2	2	50,20
29	VIU410003	CENTRE STRAP 4 HEAD		2					64,00
30	VIU410074B	BLUE CASSETTE BOX ONLY 3/4/6KW (EMPTY)	3	4		6		6	374,00
30	VIU450011B	BLUE CASSETTE BOX ONLY 4.5 KW (EMPTY)			3		3		453,60
31	VIU410071	BACK REFLECTOR 3/4/6 KW	3	4		6		6	60,90
31	VIU450016	BACK REFLECTOR 4.5 KW			3		3		84,30
32	VIUHLP34CSAA	CASSETTE ASSEMBLY COMPLETE (NO LAMP) 3/4 KW	3	4					999,40
32	VIUHLP4500CAA	CASSETTE ASSEMBLY COMPLETE (NO LAMP) 4.5 KW			3		3		1080,40
33	VIU410081	CASSETTE ON/OFF SWITCH	3	4	3	6	3	6	31,20
34	VIU420070	END REFLECTOR	6	8	6	12	6	12	26,50
35	VIU410069	CASSETTE GUARD 3/4/6 KW	3	4		6		6	29,80
35	VIU450013	CASSETTE GUARD 4.5 KW			3		3		44,30
	VIU900300	1KW TUBE 300 MM 220/240 VOLT							222,90
36	VIU900500	1KW TUBE 500 MM 220/240 VOLT	3	4		6		6	276,90
36	VIU900750	1.5KW TUBE 750 MM 220/240 VOLT			3		3		331,00
	VIU101	HAND HELD STAND WITH SLIDER BRACKET							459,40
	VIU103	TIMER ONLY FOR STAND MOUNTED							432,40
	VIU104	PLUG FOR STAND MOUNTED TIMER (EACH)							28,60
	VIU404	CONTROL BOARD FOR DISTANCE SENSOR MODELS							1515,00
	VIU406	DIGITAL READ OUT PANEL FOR DISTANCE SENSOR							668,40
	VIU408	DIGITAL SENSOR UNIT							782,60
	VIU410014	BOLT FOR CASTOR M10							1,20
	VIU410015	NUT FOR CASTOR M10							0,80
	VIU410016	LOCKING WASHER FOR CASTOR M10							0,80
	VIUFS500M	FUSE 500 MA							2,20
	VIU102	SLIDER BRACKET FOR HAND HELD							71,80
	VIUHAN1	HANDLE FOR HAND HELD							55,40
	VIUGRP1	GRIP FOR HAND HELD MODEL							10,30
	VIU10001	HAND HELD CABLE WITHOUT PLUG							60,90



ADG-1B AQUADRY PAINT DRYER GUN

Aquadry kit it's a versatile system to speed up the drying process of water based coatings, its exclusive configuration provides an extremely uniform air flow system. The use of a single device is particularly suitable for small areas, while the system mounted on the stand is particularly suitable for larger surfaces and commercial vehicles.

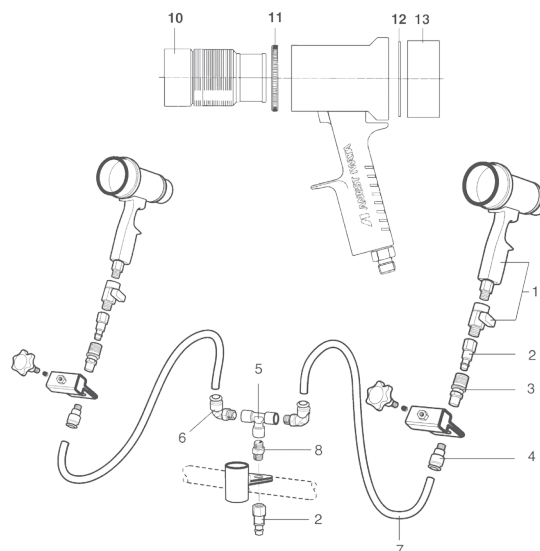


TECHNICAL DATA	
MAX. PRESSURE	7 bar
MAX. AIR CONSUMPTION	2 x 600 lt./min



ORDER INFORMATION

CODE	DESCRIPTION	REF.	€
UIKIT60100	AQUADRY SET (STAND, HOSES + 2 DRYER GUNS)		591,10
13908402	AQUADRY PAINT DRYER GUN ADG-1B	1	153,20
W2COM6096	QUICK JOINT MALE BRASS G-1/4" M	2	6,20
W2950291400	QUICK JOINT FEMALE BRASS G-1/4" F	3	12,80
UL300312	QUICK JOINT 1/4" M - ø10	4	7,00
UL300300	"T" JOINT 1/4" FFF	5	8,20
UL300309	"L" QUICK COUPLING 1/4" M - ø10	6	7,50
00100032	AIR HOSE 10X8	7	3,50
UL30010501	SPECIAL NIPPLE R. 1/4" - G1/4"	8	4,10
VIEAQ005	STAND ONLY	9	226,90
93453450	NOZZLE	10	94,50
93454450	NUT	11	25,00
93451460	SCREEN FILTER	12	12,80
93455461	COVER	13	25,00



AI JET FLAT AIR NOZZLE DRYER

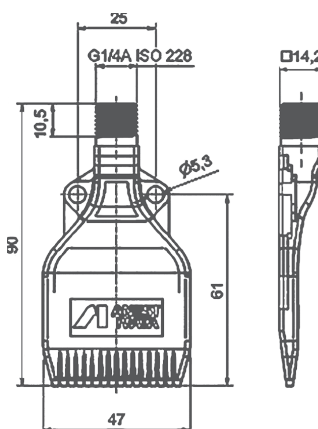
The AI JET Flat Air Nozzles series are ideal to be used for the processes of drying and curing of water-based paints. The flow of compressed air, passes through the nozzle and it is distributed through 16 holes (ø 1.5 mm), this system allows the drying process in shorter times on surfaces of small and medium size. AI JET is supplied with ball valve and quick coupling joint M.

TECHNICAL DATA	
NOISE LEVEL	70 db (A) at 2 bar
AIR CONSUMPTION	18 m3/h at 2 bar
MAX. PRESSURE	6 bar
MAX. TEMPERATURE	50°C



ORDER INFORMATION

CODE	DESCRIPTION	€
W2COM6214	AI JET AIR NOZZLE DRYER SET	52,40
W2COM6235	AIR NOZZLE	42,40
W2KIT40	QUICK COUPLING JOINT SET M1/4" F (5 pcs./1 pk.)	29,60



DIMENSIONS

DEMO TROLLEY



ANEST IWATA Demo trolley is a practical and lightweight trolley to tow, perfect for protecting your valuable tools. Externally is made of sturdy and shockproof plastic material, durable but lightweight with a professional design. The inside is a foam lined safe housing which can snugly fit five spray guns. In addition, there are spaces cut out of foam designed to preserve the enclosures that can contain both the fluid nozzle and needle sets and the air cap sets, such as: 15 rotating telescopic enclosures to protect fluid needles and fluid nozzles and 7 enclosures with lid to protect the air caps.

TECHNICAL DATA	
DIMENSIONS	604 (W) x 473 (D) x 283 (H) mm
EMPTY WEIGHT	9 Kg
IP 67 CLASSIFICATION	100% recyclable material

ORDER INFORMATION

CODE	DESCRIPTION	€
VPATR-IW01	DEMO TROLLEY CASES KIT	576,90
VROTRPACK	CASES KIT SINGLE (22 parts)	60,00

Spray guns are not included in Demo trolley.



MARKER CAPS

Marker caps for individual labeling of spray guns

ORDER INFORMATION

CODE	DESCRIPTION	€
93710530	MARKER CAPS (5 pcs./1 pk.) (yellow, green, red, black, blue)	7,10



AZ PVA TN UNDERCOAT SPRAY GUN

FEATURES

- Undercoat gun to be used with pre-packed paintpot or cartridge
- With suction feed

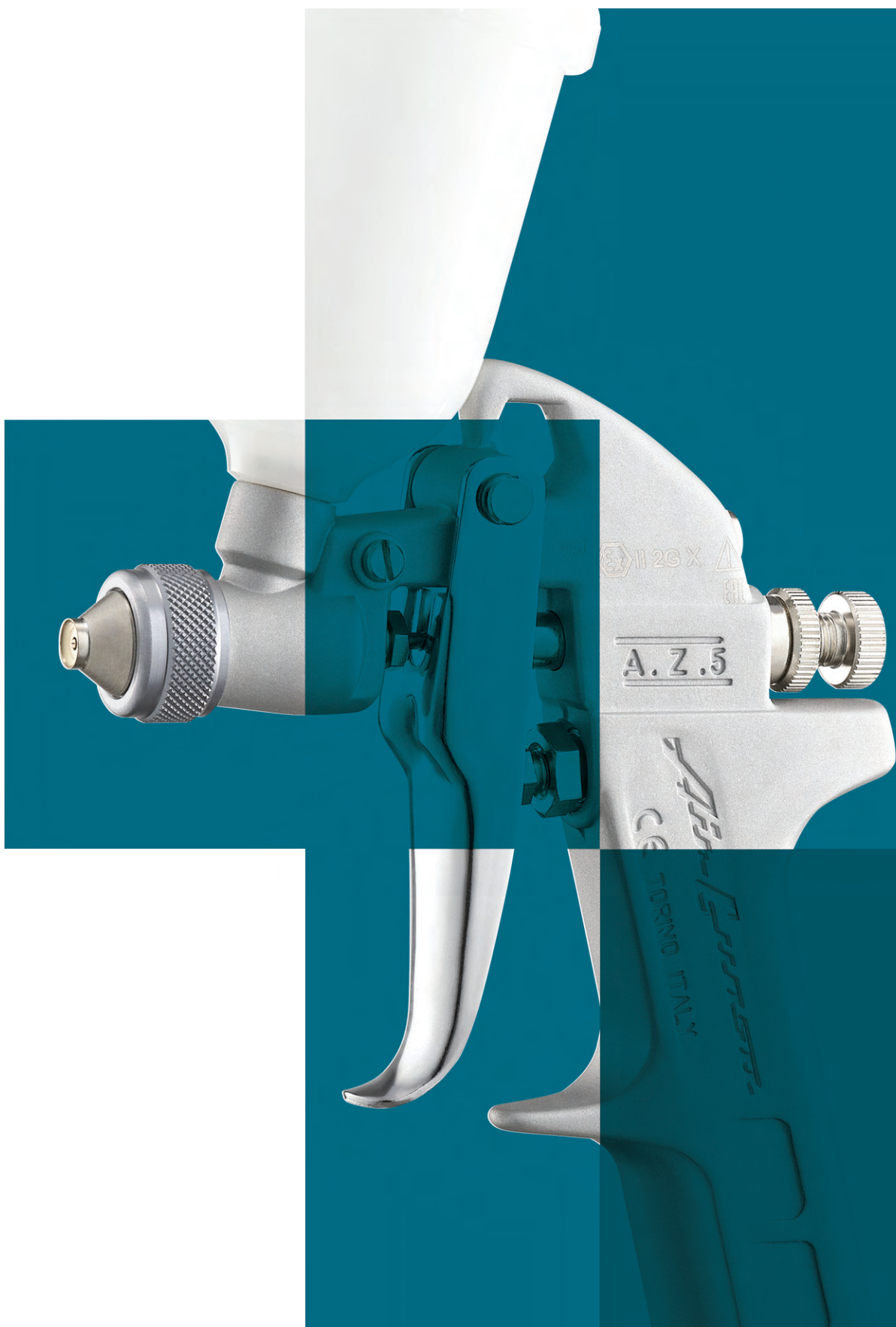
ORDER INFORMATION

CODE	DESCRIPTION	€
W0012200000	UNDERCOAT SPRAY GUN	76,90



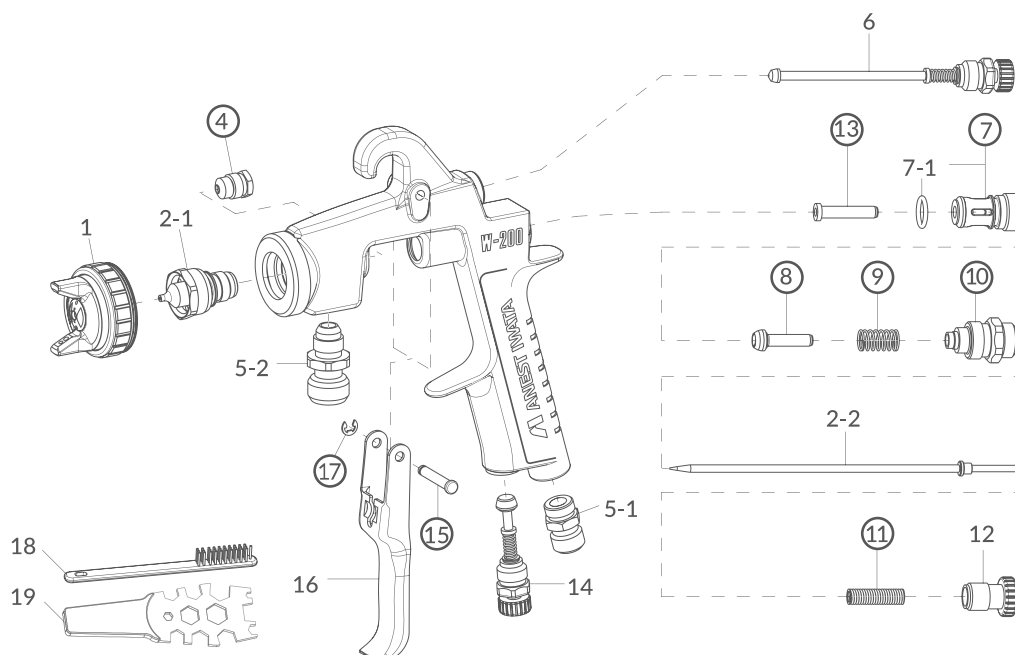
8

SUPERSEDED PRODUCTS



SPARE PARTS

W-200 SERIES PRESSURE & SUCTION



CODE	DESCRIPTION	QTY.	REF.	€	CODE	DESCRIPTION	REF.	€
93640620	AIR CAP SET (WBS1)	ø 0.8/1.0/1.2/1.4	1	123,10	03810620	NEEDLE PACKING SET	4	32,30
93609620	AIR CAP SET (WB1)	ø 0.8/1.0/1.2/1.4		124,70	03660300	AIR NIPPLE	5-1	11,10
93606620	NOZZLE + NEEDLE SET	ø 0.8		222,70	03515600	FLUID NIPPLE	5-2	28,50
93612620	NOZZLE + NEEDLE SET	ø 1.0		222,70	93840601	PATTERN ADJ. SET	6	45,50
93616620	NOZZLE + NEEDLE SET	ø 1.2	+ 2-2	222,70	03843530	AIR VALVE SEAT	7	28,00
93643620	NOZZLE + NEEDLE SET	ø 1.4		222,70	06638008	'O'RING	7-1	2,90
93818610B	AIR CAP SET (G2P)	ø 0.8/1.0/1.2	1	110,70	03591530	AIR VALVE	8	19,30
93830610B	AIR CAP SET (LV2)	ø 0.8/1.0/1.2/1.5		110,70	03719530	AIR VALVE SPRING	9	8,20
93889610	NOZZLE + NEEDLE SET	ø 0.8	2-1 + 2-2	111,30	93844532	FLUID ADJ. GUIDE SET	10	42,50
93890610	NOZZLE + NEEDLE SET	ø 1.0		113,60	03593530	FLUID NEEDLE SPRING	11	8,20
93891610	NOZZLE + NEEDLE SET	ø 1.2		113,60	93594532	FLUID ADJ. KNOB	12	16,90
93822610	NOZZLE + NEEDLE SET	ø 1.5		113,60	93935430	AIR VALVE SHAFT	13	15,20
93624620	AIR CAP SET (WB2)	ø 0.6/1.8	1	110,70	93845531	AIR ADJ. SET	14	42,50
93622620	NOZZLE + NEEDLE SET	ø 0.6	2-1 + 2-2	141,70	93625370	PLUG (W200 S)	14-1	26,80
93635620	NOZZLE + NEEDLE SET	ø 1.8		143,30	93014500	TRIGGER SET	16	27,40
93830610B	AIR CAP SET (LV2)	ø 1.4	1	110,70	03708240	AIR CAP PACKING (WHITE)		3,20
93816610B	AIR CAP SET (K2)	ø 1.5/1.8		111,30	03512600	AIR CAP "L" PACKING (BLACK)		5,60
93814610B	AIR CAP SET (R2)	ø 2.0		110,70	W2COM6190	REPAIRING KIT 2 (includes: air valve seat set, air valve, air valve spring, fluid needle spring, air valve shaft, fluid adj. guide set, trigger stud, e-stopper, needle packing cartridge).		107,50
93813610B	AIR CAP SET (W1)	ø 2.0		110,70	14018621	PCL 10 B3 SUCTION CONTAINER 1 lt.		79,20
93831610	NOZZLE + NEEDLE SET	ø 1.4	2-1 + 2-2	113,60	04904281	CONTAINER FOR PCL 10 B3		72,30
93822610	NOZZLE + NEEDLE SET	ø 1.5		113,60	04904302	NON DRIP SET for PCL 10 B3 (2pcs./1 pk.)		9,10
93821610	NOZZLE + NEEDLE SET	ø 1.8		113,60	94008300	LID PACKING SET FOR PCL 10 B3 (2 pcs./1 pk.)		12,60
93820610	NOZZLE + NEEDLE SET	ø 2.0		113,60	04904311	FILTER 30 MESH FOR PCL 10 B3		1,80
93819610	NOZZLE + NEEDLE SET	ø 2.0		113,60	14018200	PC 12 SUCTION CONTAINER 1 lt.		97,50
93507700	SPECIAL NEEDLE with TIP in Delrin	ø 0.8/1.0/1.2		2-2	112,60	04002200	PACKING FOR PC 12	
W-200-X17-1	NEEDLE TIP in Delrin	ø 0.8/1.0/1.2		20,70				

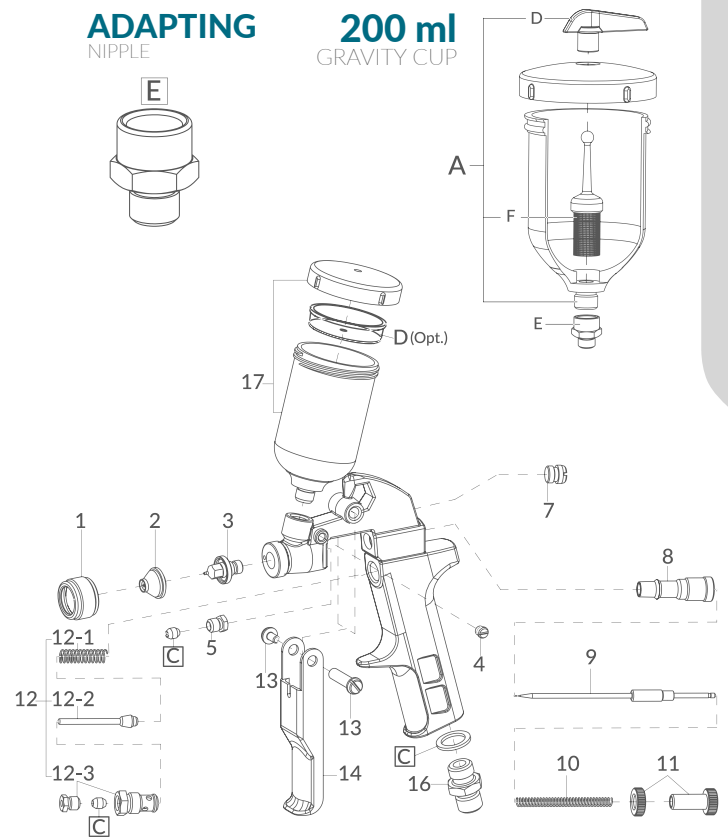
SPARE PARTS



SUPERSEDED PRODUCTS

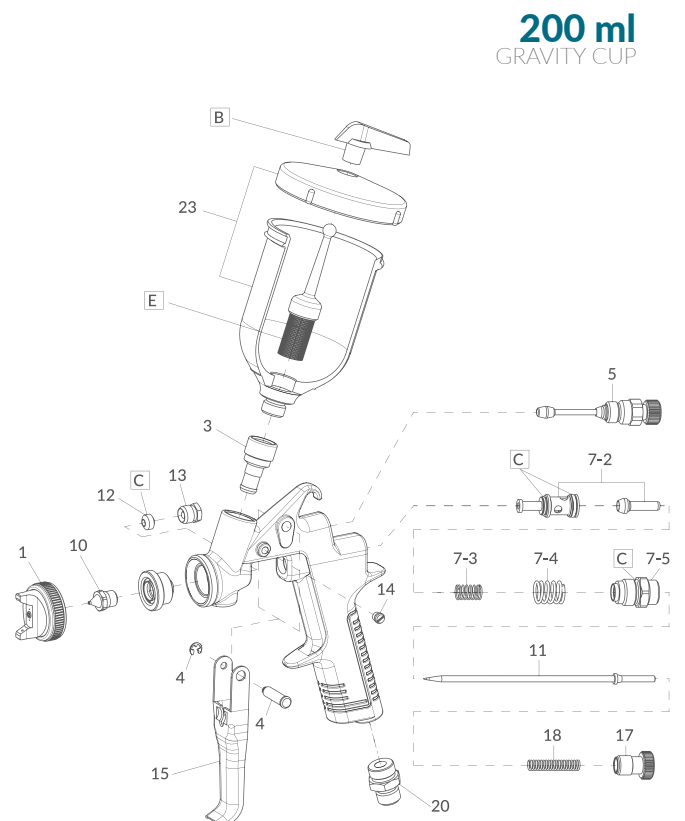
AZ5 ROUND PATTERN

REF.	CODE	DESCRIPTION	€
1	W2011140100	AIR CAP COVER	3,50
2	-	AIR CAP SET (ø 0,3 - 0,5 - 0,8 - 1,0)	
3+9	-	NOZZLE+NEEDLE SET (ø 0,3 - 0,5 - 0,8 - 1,0)	
4	W2COM5004	SCREW	0,60
5	W2011131100	NEEDLE PACKING NUT	2,40
7	W2010940500	PLUG	1,20
8	W2010940600	FLUID NEEDLE GUIDE	3,50
10	W2012340400	FLUID NEEDLE SPRING	3,50
11	W2012331500	FLUID ADJ. KNOB	4,60
12	W2012320200	AIR VALVE SET	9,80
12-1	W2010942100	AIR VALVE SPRING	1,90
12-2	W2012331600	AIR VALVE	2,90
12-3	W2010930400	AIR VALVE SEAT SET	7,00
13	W2COM4008	TRIGGER STUD	4,10
14	W2010941800	TRIGGER	7,00
16	W2052191414	AIR NIPPLE G1/4" M	1,80
C	W2500100400	PACKING SET	4,10
17	W0012320100	PCG-1P-1B-AZ GRAVITY CUP 70 ml	8,80
D	W2KIT52	NON DRIP SET (optional)	7,50
A	W0010920900	GRAVITY CUP 200 ml	16,40
D	W2KIT07	NON DRIP SET	7,00
E	W2052591812	ADAPTING NIPPLE	3,40
F	W2KIT06	PAINT FILTER SET50 Mesh (297µ)	22,10



AZ 40 HTE AV

REF.	CODE	DESCRIPTION	€
1	-	AIR CAP SET (ø 0,8 - 1,0 - 1,2 - 1,5 - 1,8 - 2,0)	
10+11	-	NOZZLE + NEEDLE SET (ø 0,8 - 1,0 - 1,2 - 1,5 - 1,8 - 2,0)	
3	W4COM5003	THREADED BUSHING	2,40
4	W2COM4008	TRIGGER STUD	4,10
5	W2PAT40AG	PATTERN ADJ.	11,10
7	W2SUB2060	COMPLETE AIR VALVE	18,10
7-2	W2SUB2058	AIR VALVE SET	8,20
7-3	W2COM6001	AIR VALVE SPRING	1,90
7-4	W2COM6048	AIR VALVE SPRING SEAT	1,90
7-5	W2SUB3042	FLUID ADJUSTMENT GUIDE	8,20
12	W2COM2006	FLUID NEEDLE PACKING	5,20
13	W2COM3011	FLUID NEEDLE PACKING NUT	2,40
14	W2COM5004	SCREW	0,60
15	W2COM6005	TRIGGER	6,40
17	W2COM3007	FLUID NEEDLE ADJ. KNOB	2,50
18	W2COM6002	FLUID NEEDLE SPRING	2,50
20	W2COM5000	AIR NIPPLE G1/4" M	3,50
C	W2KIT12	PACKING SET	13,40
23	W0CUPAZ40	PCG 2P-2 GRAVITY CUP 200 ml	17,50
B	W2KIT07	NON DRIP SET (5 pcs./1 pk.)	7,00
E	W2KIT06	FILTER SET 50 MESH (297µ) (5 pcs./1 pk.)	22,10
23	W0012820100	PCG-6P-2B-AZ GRAVITY CUP 600 ml	15,70
B	W2KIT07	NON DRIP SET (5 pcs./1 pk.)	7,00
E	W2KIT06	FILTER SET 50 MESH (297µ) (5 pcs./1 pk.)	22,10



SALES CONDITIONS

THIS PRICE LIST IS VALID FROM 01/01/2023

All mentioned prices are ex-works in Cardano al Campo. Transportation or delivery charges are not included in the shown price. Terms and Conditions apply. All prices are recommended retail prices: VAT is not included. For invoices below 50 € (NET), no discount is applied.

PRICING

For complaints please contact us:
e-mail: info@anest-iwata-st.com
telephone: +39 0331 73 31 20

COMPLAINTS

Goods exchange and returns must be notified to Anest Iwata in advance (before shipment). These, will be accepted only and exclusively if Anest Iwata has given the approval.

GOODS EXCHANGE RETURNS

The returned goods must be unused, in perfect conditions, undamaged and with the original packaging. Used goods are generally not accepted.

Anest Iwata is not responsible for errors or omissions contained in its price lists or promotional material. All prices/items/designs are subjected to changes without previous notice.



ANEST IWATA Italia S.r.l.
Chieri (TO) - ITALY.
info@anest-iwata-it.com
www.anest-iwata-coating.com

ANEST IWATA Deutschland GmbH
Leipzig - GERMANY
info@anest-iwata-de.com
www.anest-iwata-coating.com

ANEST IWATA France S.A.
Saint Quentin Fallavier, Lyon - FRANCE
info@anest-iwata-fr.com
www.anest-iwata-coating.com

ANEST IWATA U.K. Ltd.
St. Neots Cambridgeshire - ENGLAND
info@anest-iwata-uk.com
www.anest-iwata-coating.com

ANEST IWATA Iberica S.L.U.
Saint Adrià del Besos - Barcelona - SPAIN
info@anest-iwata-ib.com
www.anest-iwata-coating.com

ANEST IWATA Scandinavia AB.
Partille, Göteborg - SWEDEN
info@anest-iwata-se.com
www.anest-iwata-coating.com

ANEST IWATA Polska Sp. Z o.o.
Jasin / Swarzędz - POLAND
info@anest-iwata-pl.com
www.anest-iwata-coating.com

ANEST IWATA Motherson Coating Equipment Ltd.
Noida - INDIA
sales@aim.motherson.com
www.motherson.com/anest-iwata-motherson.html

ANEST IWATA Taiwan Corporation
Hu-Kuo - TAIWAN R.O.C.
service@anestiwata.com.tw
www.anestiwata.com.tw

PT. ANEST IWATA Indonesia
Jakarta - INDONESIA
www.anest-iwatasoutheastasia.com

NORTH AMERICA
ANEST IWATA USA Inc.
West Chester - Ohio - U.S.A.
inquiry@anestiwata.com - www.anestiwata.com

SOUTH AMERICA
AIRZAP-ANEST IWATA INDÚSTRIA COMÉRCIO Ltda.
Sao Paulo - BRAZIL
contato@anest-iwata.net.br - www.anest-iwata.net.br

RUSSIA
ANEST IWATA Russia LLC
Moscow - RUSSIA
tam@anestiwata.ru - www.anestiwata.ru

AUSTRALIA
ANEST IWATA Australia Pty Ltd.
Sidney - AUSTRALIA
info@anest-iwata.com.au - www.anest-iwata.com.au

SOUTH AFRICA

ANEST IWATA South Africa Pty Ltd.
Johannesburg - REPUBLIC OF SOUTH AFRICA
www.anest-iwata.co.za

ASIA

ANEST IWATA Coating Solutions Corporation
Yokohama - JAPAN
www.anest-iwata.co.jp

ANEST IWATA KOREA Corporation
Ansan City - KOREA
inquiry@aikr.co.kr
www.aikr.co.kr

ANEST IWATA Shanghai Corporation
Shanghai - CHINA
customer@anest-iwata-sh.com
www.anest-iwata-sh.com

ANEST IWATA Vietnam CO. Ltd.
Ho Chi Minh City - VIETNAM
info@anest-iwata.vn
www.anest-iwatasoutheastasia.com

ANEST IWATA Southeast Asia CO. Ltd.
Bangkok - THAILAND
info@anest-iwata.co.th
www.anest-iwatasoutheastasia.com

HEADQUARTER

ANEST IWATA Corporation
Yokohama - JAPAN
www.anest-iwata.co.jp

ANEST IWATA Strategic Center S.r.l.
Cardano al Campo (VA) - ITALY
info@anest-iwata-st.com
www.anest-iwata-coating.com

2023 PRICE LIST

SPRAY GUNS & ACCESSORIES FOR
CAR REFINISH

Edition October 2022