



2023 PRICE LIST

SPRAY GUNS & ACCESSORIES FOR
AIRGUNSA

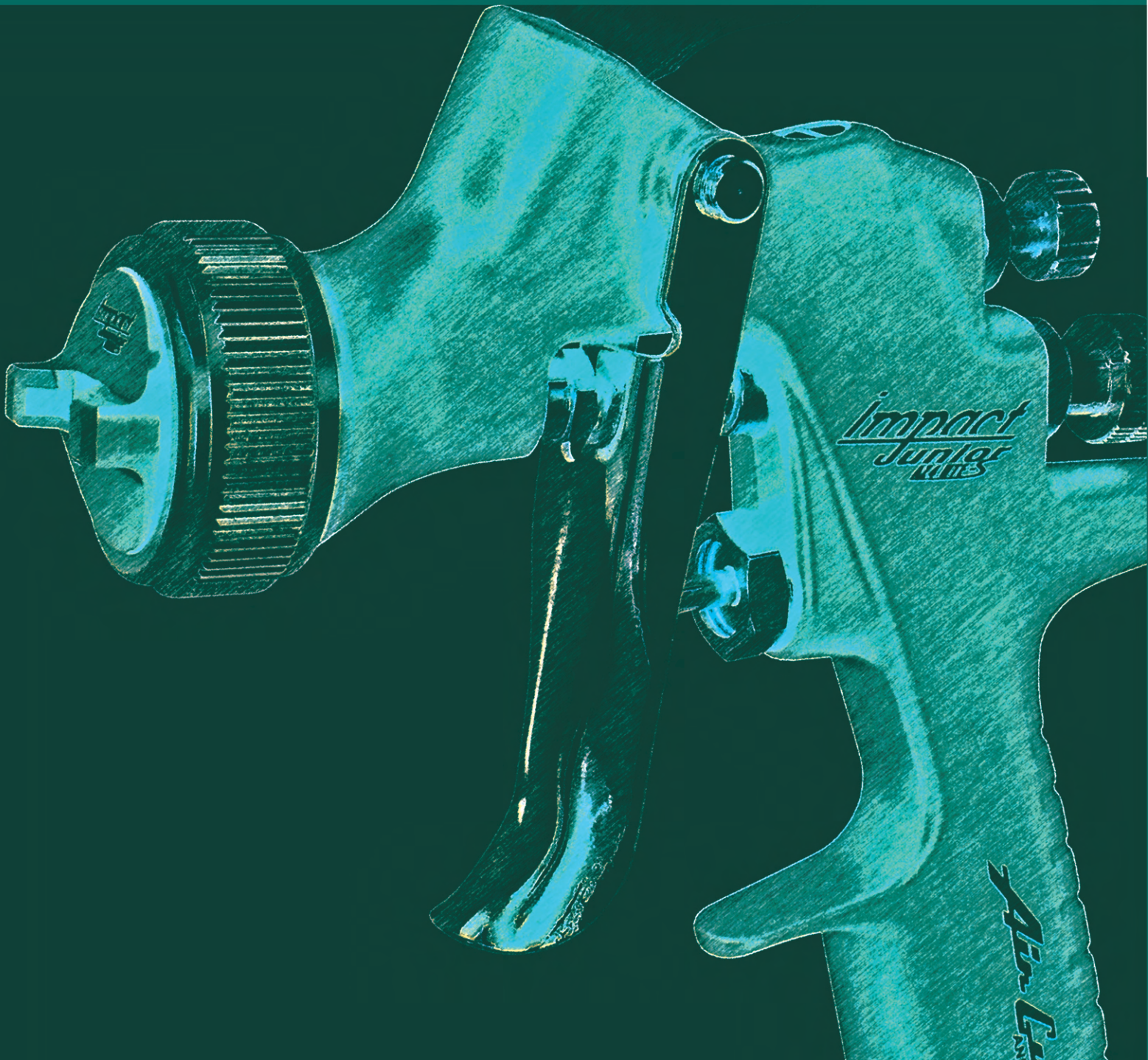
Air-Gunsa
ANEST IWATA Group

PROFESSIONAL COATING EQUIPMENT SPECIALIST

PASSION FOR PAINTING

We are passionate about painting and eager about creating; for this, we design spray guns which help you to cross any boundary.

YOUR CUSTOMERS, OUR MISSION.



GROUP

Anest Iwata carries more than 90 years of experience in the coating industry, combining the most sophisticated Japanese craftsmanship tradition to the continuous search for leading-edge technology.



PASSION & PERFORMANCE

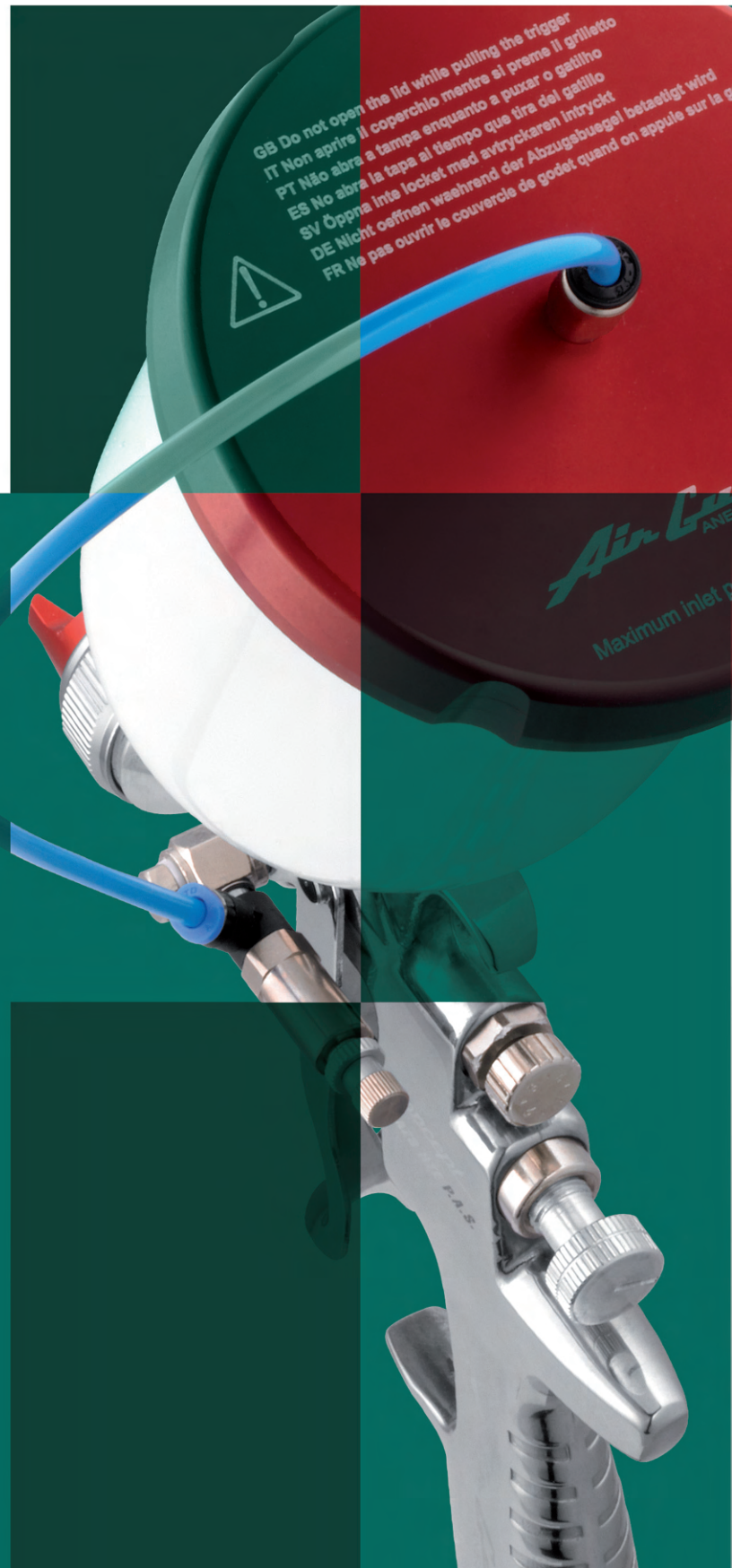
As a global group we aim to deliver the most technically advanced spraying equipment on the market. When designing our products we think about highly professional and creative individuals who have passion for painting and are looking for the greatest performance. With this in mind we always try to reach for the highest standards of sophistication, creativity and technical realization.

A WIDE RANGE

Our range of products varies from several spray gun lines, pumps and painting accessories, projected ad hoc for different paint applications and to satisfy the customer in his research for the best solution.

CUSTOMER ORIENTED

The automotive refinish, together with the industrial and the wood sector are only few of the areas in which the Anest Iwata experience has found its appreciation between the users, not only for the excellence of our tools, but also for the attentive service our customers can count on. Anest Iwata's effort in providing the best results in performance is also conceived for the optimization of the resources and materials in the optic of being environmental-friendly.



SPRAY GUNS & ACCESSORIES FOR AIRGUNSA



Whether it's a first installation, a self-repair or a small retouch (spot repair) Anest Iwata has always been the point of reference for professional painters. The experience in the development of varnishing guns for the automotive sector has strengthened its image over time.

INDEX

1. MANUAL SPRAY GUNS

GRAVITY SPRAY GUNS

AZ3 HTE-S IMPACT.....8
 AZ3 HTE2 AV.....10
 AZ3 HTE2 HVLP.....12
 AZ4 HTE-S IMPACT JUNIOR Black Air Cap....14
 AZ4 HTE-S IMPACT JUNIOR Gray Air Cap....16

PRESSURE AND SUCTION SPRAY GUNS

AZ1 HTE 2P18
 AZ1 HTE 2S20

GRAVITY SPRAY GUN WITH PRESSURIZED CUP

AZ3 HTE P.A.S. CONCEPT22

2. GRAVITY CUPS & FILTERS

GRAVITY CUPS.....26

3. GENERAL ACCESSORIES

HEALTH PROTECTION

ANEST IWATA OVERALL.....28
 VISIONSHIELD SERIES GOGGLES & GLASSES.....28
 AIRFED 2020 FULL FACE MASK.....29
 VIPER HALF FACE GUARD MASK.....29
 MAG STAND MAGNETIC SUPPORTS & GUN HOLDER.....30
 IMPACT CONTROLLER 2.....30

4. GARAGE EQUIPMENT

AZ PVA | AZ PVA TN.....32
 P6 | PL6 | AE733
 S8 | SP834
 ST | ST1 | ST1 S.....35







5. SUPERSEDED PRODUCTS

AZ5 - ROUND PATTERN SPRAY GUN.....38
 AZ40 HTE AV.....38

6. GENERAL INFORMATION

SALES CONDITIONS.....39

ICONS LEGEND

-  NOZZLE SIZE
-  AIR CAP SET
-  AIR PRESSURE
-  FLUID OUTPUT
-  AIR CONSUMPTION
-  PATTERN WIDTH



1

MANUAL SPRAY GUNS



AZ3 HTE-S IMPACT - STANDARD QUALITY

FEATURES



Standard Technology



High Transfer Efficiency



Easy Maintenance



Reliable



Made in Italy

Impact
AZ3 HTE-S

BLACK VERSION

HTE
HIGH TRANSFER EFFICIENCY

Standard Quality Spray Gun for Car Refinish Primer-coat applications. Equipped with the HTE air caps Technology, which leads to guarantee maximum performance with homogeneous and fine atomization.

TECHNICAL DATA

• Air Nipple: G1/4" • Fluid Nipple: G1/4"

| model name | ø mm | cap | bar* | ml/min | NI/min | mm (in)** |
|------------------|------|--------|------|--------|--------|-----------|
| AZ3 HTE-S IMPACT | 1.2 | HTE-S1 | 2.0 | 240 | 325 | 190 |
| | 1.3 | | | 265 | | 210 |
| | 1.4 | | | 279 | | 230 |
| | 1.6 | HTE-S2 | | 289 | 312 | 250 |
| | 1.8 | | | 322 | | 270 |
| | 2.0 | | | 361 | | |

*Suggested gun inlet pressure during spraying. **Fan width at a Spray distance of 150 mm.



CHROMED VERSION

ORDER INFORMATION

| | ø 1,2 | ø 1,3 | ø 1,4 | ø 1,6 | ø 1,8 | ø 2,0 | € |
|----------------------------------|--------------|--------------|--------------|--------------|--------------|--------------|--------|
| AZ3 HTE-S IMPACT BLACK VERSION | W0SPG90AG12C | W0SPG90AG13C | W0SPG90AG14C | W0SPG90AG16C | W0SPG90AG18C | W0SPG90AG20C | 195,00 |
| AZ3 HTE-S IMPACT CHROME VERSION | W0SPG91AG12C | W0SPG91AG13C | W0SPG91AG14C | W0SPG91AG16C | W0SPG91AG18C | W0SPG91AG20C | 195,00 |
| AIR CAP SET (HTE-S1) | W2CAP90AG12 | | | | | | 60,00 |
| AIR CAP SET (HTE-S2) | W2CAP90AG16 | | | | | | 60,00 |
| FLUID NOZZLE & NEEDLE | W2ADU90AG12 | W2ADU90AG13 | W2ADU90AG14 | W2ADU90AG16 | W2ADU90AG18 | W2ADU90AG20 | 40,80 |

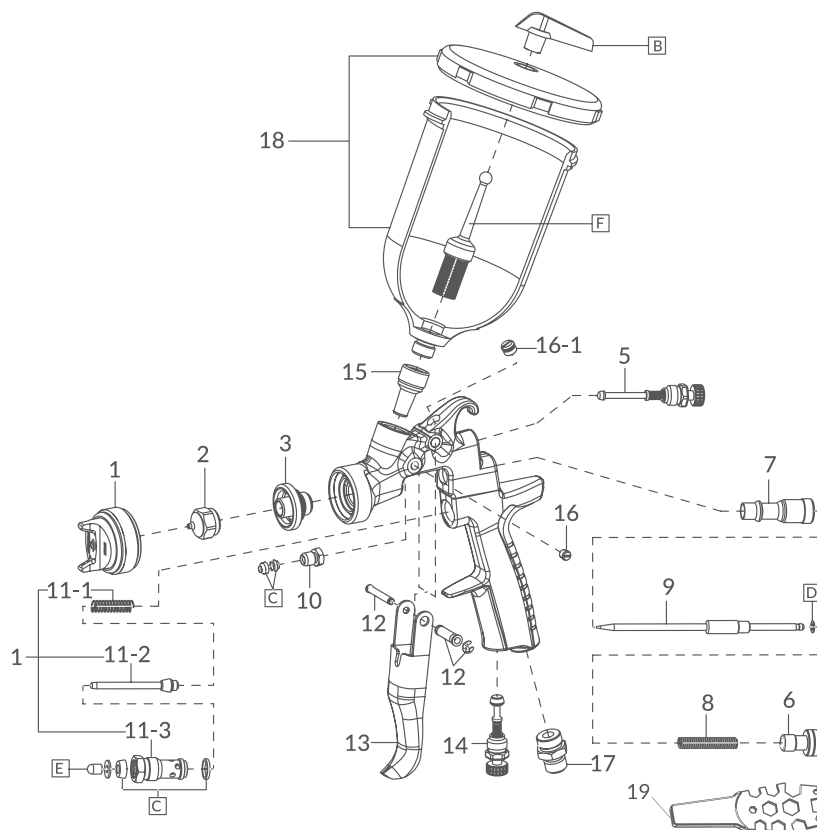
SET OPTIONS & CONTENTS

CARTON BOX



AZ3 HTE-S Impact Spray Gun
PCG-6P-2 AZ CUP - 600 ml
Universal Spanner

SPARE PARTS



| REF. | CODE | DESCRIPTION | € | REF. | CODE | DESCRIPTION | € |
|------|------------------------|---------------------------------|-------|------|-----------|--|-------|
| 1 | see table on left page | AIR CAP SET | 60,00 | D | W2KIT33 | SLIDE RING SET (10 pcs./1 pk.) | 11,70 |
| 2+9 | see table on left page | FLUID NOZZLE + FLUID NEEDLE SET | 40,80 | E | W2KIT37 | AIR VALVE SHAFT TIP SET (3 pcs./1 pk.) | 4,60 |
| 3 | W3COM3050 | NOZZLE HOLDER | 28,60 | 18 | W0CUPAZ90 | PCG-6P-2-AZ GRAVITY CUP 600 ml | 43,90 |
| 5 | 93842601 | PATTERN ADJ. SET | 40,80 | B | W2KIT07 | NON DRIP SET (5 pcs./1 pk.) | 7,00 |
| 6 | W2COM6077 | FLUID NEEDLE ADJ. KNOB | 3,60 | F | W2KIT06 | FILTER SET 50 MESH (297µ) (5 pcs./1 pk.) | 22,10 |
| 7 | W2010140900 | FLUID NEEDLE GUIDE | 3,60 | 19 | 930171A0 | UNIVERSAL SPANNER | 8,80 |
| 8 | W2010140800 | FLUID NEEDLE SPRING | 2,50 | | | | |
| 10 | W2010140600 | FLUID NEEDLE PACKING NUT | 2,50 | | | | |
| 11 | W2COM6080 | AIR VALVE SET | 11,10 | | | | |
| 11-1 | W2010141700 | AIR VALVE SPRING | 1,80 | | | | |
| 11-2 | W2010130600 | AIR VALVE | 3,00 | | | | |
| 11-3 | W2010130500 | AIR VALVE SEAT | 5,20 | | | | |
| 12 | W2COM4041 | TRIGGER STUD | 4,60 | | | | |
| 13 | W2COM6051 | TRIGGER | 6,40 | | | | |
| 14 | 93845531 | AIR ADJ. SET | 42,50 | | | | |
| 15 | W3COM5038 | THREADED BUSHING | 14,70 | | | | |
| 16 | W2COM5004 | SCREW | 0,60 | | | | |
| 16-1 | W2COM6050 | PLUG | 1,80 | | | | |
| 17 | W2COM5039 | AIR NIPPLE | 4,60 | | | | |
| C | W2KIT56 | PACKING SET (3 pcs./1 pk.) | 5,20 | | | | |

| OPTION AND ACCESSORIES | | |
|------------------------|--------------|-------|
| CODE | DESCRIPTION | € |
| W2KIT55UK | CLEANING KIT | 77,10 |



AZ3 HTE2 AV - STANDARD QUALITY

FEATURES



Standard Technology



Easy Maintenance



Reliable



Made in Italy

Standard Quality Spray Gun for Car Refinish Spray Putty applications. With High Volume & Low Pressure Technology, is ideal for spraying filler and other high viscosity coatings.



TECHNICAL DATA

• Air Nipple: G1/4" • Fluid Nipple: G1/4"

| model name | ø mm | cap | bar* | ml/min | NI/min | mm (in) |
|------------|------|----------|------|--------|--------|---------|
| AZ3 HTE2 | 1.0 | 10-15HTE | 2.0 | 80 | 200 | 180 |
| | 1.3 | | | 140 | | 240 |
| | 1.5 | | | 160 | | 260 |
| | 1.8 | 18-20HTE | | 250 | 215 | 300 |
| | 2.0 | | | 300 | 340 | |
| | 2.5 | | | 25HTE | 450 | 280 |
| | 2.8 | 28-30HTE | 3.0 | 540 | 300 | 380 |
| | 3.0 | | | 560 | | 400 |
| | 3.5 | | | 35HTE | | 600 |

SPECIAL WRENCH ACCESSORIES



*Suggested gun inlet pressure during spraying.

ORDER INFORMATION

| | ø 1,0 | ø 1,3 | ø 1,5 | ø 1,8 | ø 2,0 | € |
|---|--------------|--------------|--------------|--------------|--------------|--------|
| AZ3 HTE2 AV - 600 ml CUP | - | - | - | - | - | |
| AZ3 HTE2 AV - 600 ml CUP + AIR FLOW CONTROL VALVE | W0SPG81AG10C | W0SPG81AG13C | W0SPG81AG15C | W0SPG81AG18C | W0SPG81AG20C | 119,00 |
| AIR CAP SET | W2CAP80AG15 | | W2CAP80AG18 | | | 33,80 |
| FLUID NOZZLE & NEEDLE | W2010133500 | W2010133600 | W2010133700 | - | - | 25,00 |
| FLUID NOZZLE & NEEDLE | - | - | - | W2010133800 | W2010133900 | 25,00 |

ORDER INFORMATION

| | ø 2,5 | ø 2,8 | ø 3,0 | ø 3,5 | € |
|---|--------------|--------------|--------------|--------------|--------|
| AZ3 HTE2 AV - 600 ml CUP | - | - | - | - | |
| AZ3 HTE2 AV - 600 ml CUP + AIR FLOW CONTROL VALVE | W0SPG81AG25C | W0SPG81AG28C | W0SPG81AG30C | W0SPG81AG35C | 119,00 |
| AIR CAP SET | W2CAP80AG25 | W2CAP80AG30 | | W2CAP80AG35 | 33,80 |
| FLUID NOZZLE & NEEDLE | W2010134000 | W2010134300 | W2010134100 | W2010134200 | 25,00 |

SET OPTIONS & CONTENTS

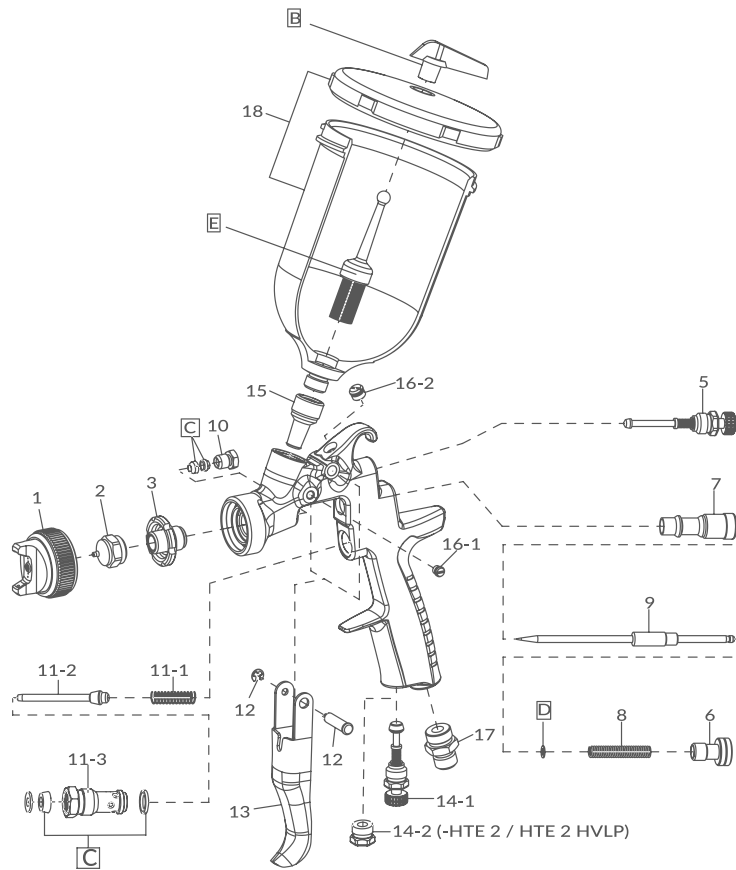
CARTON BOX



AZ3 HTE2 AV Spray Gun
PCG-6P-2B AZ CUP - 600 ml

SPARE PARTS

PCG-6B 2B-AZ
GRAVITY CUP
600 ml



| REF. | CODE | DESCRIPTION | € | REF. | CODE | DESCRIPTION | € |
|-------------------------------|------------------------|---|-------|------|-------------|--|----------|
| 1 | see table on left page | AIR CAP SET | 33,80 | C | W2KIT56 | PACKING SET (3 pcs./1 pk.) | 5,20 |
| 2+9 | see table on left page | FLUID NOZZLE + NEEDLE SET (ø 1,0 - ø 1,3 - ø 1,5) | 25,00 | D | W2KIT33 | SLIDE RING SET (10 pcs./1 pk.) | 11,70 |
| 2+9 | see table on left page | FLUID NOZZLE + NEEDLE SET (ø 1,8 - ø 2,0 - ø 2,5 - ø 2,8 - ø 3,0 - ø 3,5) | 25,00 | 18 | W0012820100 | PCG-6P-2B-AZ GRAVITY CUP 600 ml | 15,70 |
| 3 | W2010140200 | NOZZLE HOLDER | 8,20 | B | W2KIT07 | NON DRIP SET (5 pcs./1 pk.) | 7,00 |
| 5 | 93842601 | PATTERN ADJ. SET | 40,80 | E | W2KIT06 | FILTER SET 50 Mesh (297µ) (5 pcs./1 pk.) | 22,10 |
| 6 | W2010141000 | FLUID NEEDLE ADJ. KNOB | 2,50 | | | | |
| 7 | W2010140900 | FLUID NEEDLE GUIDE | 3,60 | | | | |
| 8 | W2010140800 | FLUID NEEDLE SPRING | 2,50 | | | | |
| 10 | W2010140600 | FLUID NEEDLE PACKING NUT | 2,50 | | | | |
| 11 | W2010120100 | AIR VALVE SET | 9,30 | | | | |
| 11-1 | W2010141700 | AIR VALVE SPRING | 1,80 | | | | |
| 11-2 | W2010130600 | AIR VALVE | 3,00 | | | | |
| 11-3 | W2010130500 | AIR VALVE SEAT | 5,20 | | | | |
| 12 | W2COM4001 | TRIGGER STUD | 4,20 | | | | |
| 13 | W2COM6051 | TRIGGER | 6,40 | | | | |
| 14-1 | 93845531 | AIR ADJ. SET | 42,50 | | | | |
| 14-2 | 93625370 | PLUG | 26,50 | | | | |
| 15 | W2013040100 | THREADED BUSHING | 2,40 | | | | |
| 16-1 | W2COM5004 | SCREW | 0,60 | | | | |
| 16-2 | W2COM6050 | PLUG | 1,80 | | | | |
| 17 | W2COM5000 | AIR NIPPLE | 3,50 | | | | |
| OPTION AND ACCESSORIES | | | | | | | |
| | CODE | DESCRIPTION | | | CODE | DESCRIPTION | € |
| | W2KIT55UK | CLEANING KIT | | | W2KIT55UK | CLEANING KIT | 77,10 |
| | VPACAZ3H2 | BLACK PLASTIC CASE (for 1 SPRAY GUN and 1 CUP) | | | VPACAZ3H2 | BLACK PLASTIC CASE (for 1 SPRAY GUN and 1 CUP) | 35,00 |
| | W2503500100 | SPECIAL WRENCH | | | W2503500100 | SPECIAL WRENCH | 48,40 |



AZ3 HTE2 HVLP - STANDARD QUALITY

FEATURES



Standard Technology



High Volume Low Pressure



Easy Maintenance



Reliable



Made in Italy

Standard Quality Spray Gun for Car Refinish Spray Putty applications. With High Volume & Low Pressure Technology, is ideal for spraying filler and other high viscosity coatings



TECHNICAL DATA

• Air Nipple: G1/4" • Fluid Nipple: G1/4"

| model name | ø mm | cap | bar* | ml/min | NI/min | mm (in) |
|---------------|------|------|------|--------|--------|---------|
| AZ3 HTE2 HVLP | 1.3 | HVLP | 2.0 | 150 | 340 | 280 |
| | 1.5 | | | 185 | | 290 |
| | 1.8 | | | 215 | | 340 |
| | 2.0 | | | 240 | | 360 |

SPECIAL WRENCH ACCESSORIES



*Suggested gun inlet pressure during spraying.

ORDER INFORMATION

| | ø 1,3 | ø 1,5 | ø 1,8 | ø 2,0 | € |
|---------------------------|--------------|--------------|--------------|--------------|--------|
| AZ3 HTE2 HVLP- 600 ml CUP | W0SPG85AG13C | W0SPG85AG15C | W0SPG85AG18C | W0SPG85AG20C | 180,50 |
| AIR CAP SET (HVLP) | W2CAP84AG | | | | 180,50 |
| FLUID NOZZLE & NEEDLE | W2013031000 | W2013031100 | W2013031200 | W2013031300 | 25,00 |

SET OPTIONS & CONTENTS

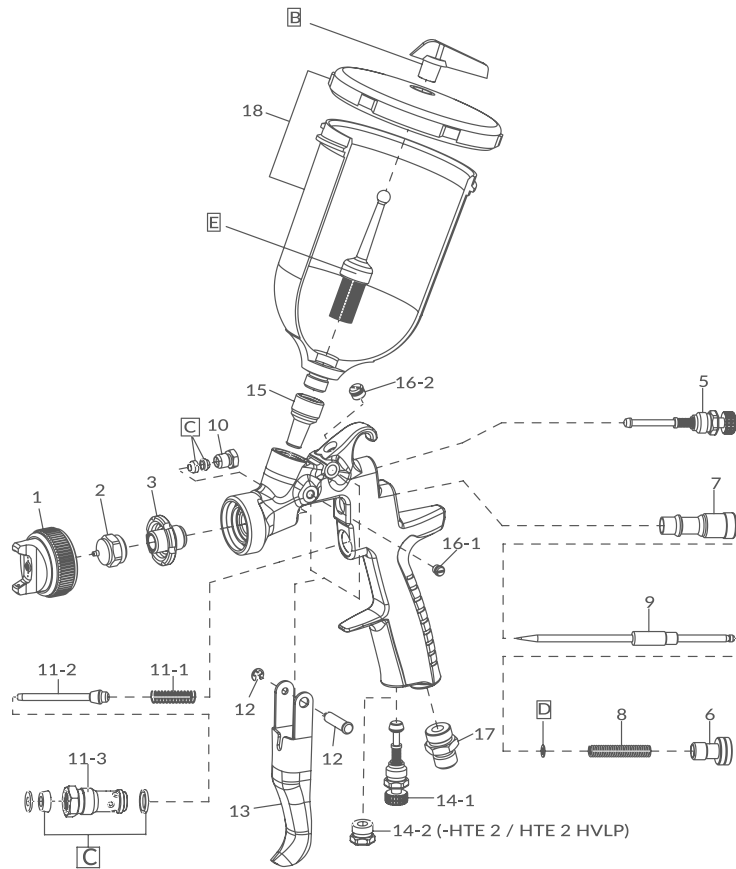
CARTON BOX



AZ3 HTE2 HVLP Spray Gun
PCG-6P-2B AZ CUP - 600 ml

SPARE PARTS

PCG-6B 2B-AZ
GRAVITY CUP
600 ml



| REF. | CODE | DESCRIPTION | € | REF. | CODE | DESCRIPTION | € |
|------|------------------------|---------------------------|--------|------|-------------|---|-------|
| 1 | see table on left page | AIR CAP SET | 180,50 | C | W2KIT56 | PACKING SET (3 pcs./1 pk.) | 5,20 |
| 2+9 | see table on left page | FLUID NOZZLE + NEEDLE SET | 25,00 | D | W2KIT33 | SLIDE RING SET (10 pcs./1 pk.) | 11,70 |
| 3 | W2010140200 | NOZZLE HOLDER | 8,20 | 18 | W0012820100 | PCG-6P-2B-AZ GRAVITY CUP 600 ml | 15,70 |
| 5 | 93842601 | PATTERN ADJ. SET | 40,80 | B | W2KIT07 | NON DRIP SET (5 pcs./1 pk.) | 7,00 |
| 6 | W2010141000 | FLUID NEEDLE ADJ. KNOB | 2,50 | E | W2KIT06 | FILTER SET 50 Mesh (297µ) (5 pcs./1 pk.) | 22,10 |
| 7 | W2010140900 | FLUID NEEDLE GUIDE | 3,60 | | | | |
| 8 | W2010140800 | FLUID NEEDLE SPRING | 2,50 | | | | |
| 10 | W2010140600 | FLUID NEEDLE PACKING NUT | 2,50 | | | | |
| 11 | W2010120100 | AIR VALVE SET | 9,30 | | | | |
| 11-1 | W2010141700 | AIR VALVE SPRING | 1,80 | | | | |
| 11-2 | W2010130600 | AIR VALVE | 3,00 | | | | |
| 11-3 | W2010130500 | AIR VALVE SEAT | 5,20 | | | | |
| 12 | W2COM4001 | TRIGGER STUD | 4,20 | | | | |
| 13 | W2COM6051 | TRIGGER | 6,40 | | | | |
| 14-1 | 93845531 | AIR ADJ. SET | 42,50 | | | | |
| 14-2 | 93625370 | PLUG | 26,50 | | | | |
| 15 | W2013040100 | THREADED BUSHING | 2,40 | | | | |
| 16-1 | W2COM5004 | SCREW | 0,60 | | | | |
| 16-2 | W2COM6050 | PLUG | 1,80 | | | | |
| 17 | W2COM5000 | AIR NIPPLE | 3,50 | | | | |

| OPTION AND ACCESSORIES | | |
|------------------------|---|-------|
| CODE | DESCRIPTION | € |
| W2KIT55UK | CLEANING KIT | 77,10 |
| VPACAZ3H2 | BLACK PLASTIC CASE (for 1 SPRAY GUN and 1 CUP) | 35,00 |
| W2503500100 | SPECIAL WRENCH | 48,40 |



AZ4 HTE-S IMPACT JUNIOR - STANDARD QUALITY

FEATURES



Standard Technology



High Transfer Efficiency



Easy Maintenance



Reliable



Made in Italy

Standard Quality Spray Gun, ideal for both water and solvent base paints. This version with Black air cap has been specially designed for Car Refinish application to achieve small and medium repairs on a vehicle body. High Transfer Efficiency and Fine Atomization.

TECHNICAL DATA

• Air Nipple: G1/4" • Fluid Nipple: G1/4"

| model name | ø mm | cap | bar* | ml/min | NI/min | mm (in) |
|------------|------|-------|------|--------|--------|---------|
| AZ4 HTE-S | 0.8 | AZ4-1 | 1.0 | 50 | 105 | 120 |
| | 1.0 | | | 65 | | 150 |
| | 1.2 | | | 80 | | 160 |
| | 1.3 | AZ4-2 | 2.5 | 140 | 235 | 150 |

*Suggested gun inlet pressure during spraying.



WITH **BLACK AIR CAP**

200 ml
GRAVITY CUP

70 ml
GRAVITY CUP

ORDER INFORMATION

| | ø 0,8 | ø 1,0 | ø 1,2 | ø 1,3 | € |
|----------------------------------|----------|--------------------------|----------|--------------------------|--------|
| AZ4 HTE-S with 200 ml CUP | 13000710 | 13000720 | 13000730 | 13000740 | 127,90 |
| AZ4 HTE-S with 70 ml CUP | 13001130 | 13001140 | 13001150 | - | 127,90 |
| AIR CAP SET | | AZ4-1 93003740 | | AZ4-2 93003750 | 36,80 |
| FLUID NOZZLE & NEEDLE | 93004580 | 93004590 | 93004600 | 93004610 | 25,00 |

SET OPTIONS & CONTENTS

CARTON BOX - A



AZ4 HTE-S Spray Gun
PCG-2P-2 CUP - 200 ml

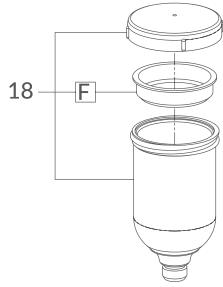
CARTON BOX - B



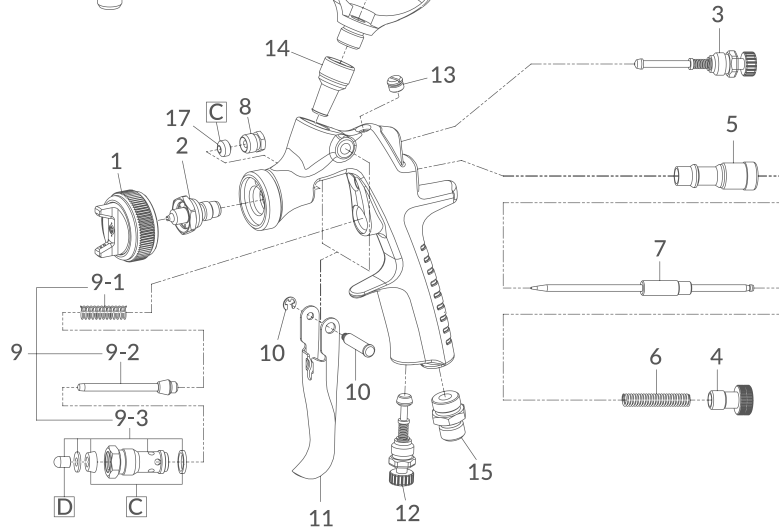
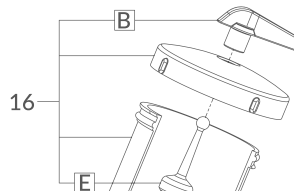
AZ4 HTE-S Spray Gun
PCG-1P-2 - 70 ml

SPARE PARTS

PCG-1P-2
GRAVITY CUP
70 ml



PCG-2P-2
GRAVITY CUP
200 ml



| REF. | CODE | DESCRIPTION | QTY. | € | REF. | CODE | DESCRIPTION | € |
|------|------------------------|---------------------------|----------------|-------|-------------------------------|--------------------|--|----------|
| 1 | see table on left page | AIR CAP SET | | 36,80 | 16 | WOCUPAZ40IN | PCG-2P-2 GRAVITY CUP 200 ml | 40,80 |
| 2+7 | see table on left page | FLUID NOZZLE + NEEDLE SET | | 25,00 | B | W2KIT07 | NON DRIP SET (5 pcs./1 pk.) | 7,00 |
| 3 | 93842601 | PATTERN ADJUSTMENT SET | | 40,80 | E | W2KIT06 | FILTER SET 50 Mesh (297µ) (5 pcs./1 pk.) | 22,10 |
| 4 | W2010141000 | FLUID NEEDLE ADJ. KNOB | | 2,50 | 18 | 13001200 | PCG - 1P - 2 GRAVITY CUP 70 ml | 22,70 |
| 5 | W2010140900 | FLUID NEEDLE GUIDE | | 3,60 | F | W2KIT52 | NON DRIP SET (3 pcs./1 pk.) | 7,50 |
| 6 | W2010140800 | FLUID NEEDLE SPRING | | 2,50 | 19 | WOCUPAZ90 | PCG-6P-2-AZ GRAVITY CUP 600 ml | 43,90 |
| 8 | W2COM3011 | NEEDLE PACKING NUT | | 2,50 | B | W2KIT07 | NON DRIP SET (5 pcs./1 pk.) | 7,00 |
| 9 | W2COM6080 | AIR VALVE SET | | 11,10 | E | W2KIT06 | FILTER SET 50 Mesh (297µ) (5 pcs./1 pk.) | 22,10 |
| 9-1 | W2010141700 | AIR VALVE SPRING | | 1,80 | | | | |
| 9-2 | W2010130600 | AIR VALVE | | 3,00 | | | | |
| 9-3 | W2010130500 | AIR VALVE SEAT | | 5,20 | | | | |
| 10 | W2COM4001 | TRIGGER STUD | | 4,20 | | | | |
| 11 | 93003810 | TRIGGER | | 6,40 | | | | |
| 12 | 93845531 | AIR ADJUSTMENT SET | | 42,50 | | | | |
| 13 | W2COM6050 | PLUG | | 1,80 | | | | |
| 14 | W3COM5038 | THREADED BUSHING | | 14,70 | | | | |
| 15 | W2COM5000 | AIR NIPPLE | | 3,50 | | | | |
| 17 | W2COM2006 | NEEDLE PACKING | | 5,20 | | | | |
| C | 93005550 | PACKING SET | (3 pcs./1 pk.) | 5,20 | OPTION AND ACCESSORIES | | | |
| D | W2KIT37 | AIR VALVE SHAFT TIP SET | (5 pcs./1 pk.) | 4,60 | CODE | DESCRIPTION | | € |
| | | | | | W2KIT55UK | CLEANING KIT | | 77,10 |



AZ4 HTE-S IMPACT JUNIOR - STANDARD QUALITY

FEATURES



Standard Technology



High Transfer Efficiency



Easy Maintenance



Reliable



Made in Italy

Standard Quality Spray Gun, ideal for both water and solvent base paints. This version with Anodized Gray air cap has been Specially designed for General Industry applications. High Transfer Efficiency and Fine Atomization.

TECHNICAL DATA

• Air Nipple: G1/4" • Fluid Nipple: G1/4"

| model name | ø mm | cap | bar* | ml/min | NI/min | mm (in) |
|------------|------|-------|------|--------|--------|---------|
| AZ4 HTE-S | 1.5 | AZ4-2 | 2.5 | 195 | 240 | 165 |
| | 1.8 | | | 275 | 245 | 185 |

*Suggested gun inlet pressure during spraying.

Impact Junior
AZ4 HTE-S

WITH ANODIZED GRAY AIR CAP

600 ml
GRAVITY CUP



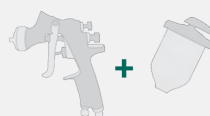
200 ml
GRAVITY CUP

ORDER INFORMATION

| | ø 1,5 | ø 1,8 | € |
|---------------------------|----------|----------|--------|
| AZ4 HTE-S with 600 ml CUP | 13001160 | 13001170 | 127,90 |
| AZ4 HTE-S with 200 ml CUP | 13000750 | 13000980 | 127,90 |
| AIR CAP SET (AZ4-2) | 93003750 | | 36,80 |
| FLUID NOZZLE & NEEDLE | 93004620 | 93005650 | 25,00 |

SET OPTIONS & CONTENTS

CARTON BOX - A



AZ4 HTE-S Spray Gun
PCG-6P-2-AZ CUP - 600 ml

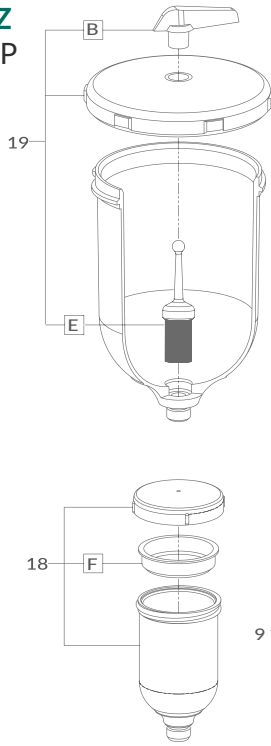
CARTON BOX - B



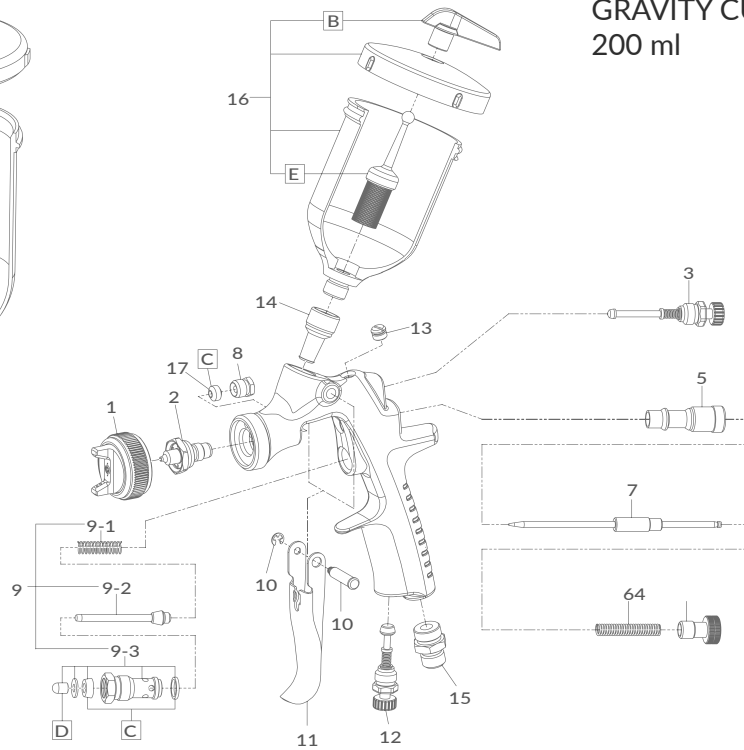
AZ4 HTE-S Spray Gun
PCG-2P-2 - 200 ml

SPARE PARTS

PCG-6P-2-AZ
GRAVITY CUP
600 ml



PCG-2P-2
GRAVITY CUP
200 ml



| REF. | CODE | DESCRIPTION | QTY. | € | REF. | CODE | DESCRIPTION | € |
|------|------------------------|---------------------------|----------------|-------|-------------------------------|--------------------|--|----------|
| 1 | see table on left page | AIR CAP SET | | 36,80 | 16 | W0CUPAZ40IN | PCG-2P-2 GRAVITY CUP 200 ml | 40,80 |
| 2+7 | see table on left page | FLUID NOZZLE + NEEDLE SET | | 25,00 | B | W2KIT07 | NON DRIP SET (5 pcs./1 pk.) | 7,00 |
| 3 | 93842601 | PATTERN ADJUSTMENT SET | | 40,80 | E | W2KIT06 | FILTER SET 50 Mesh (297µ) (5 pcs./1 pk.) | 22,10 |
| 4 | W2010141000 | FLUID NEEDLE ADJ. KNOB | | 2,50 | 18 | 13001200 | PCG - 1P - 2 GRAVITY CUP 70 ml | 22,70 |
| 5 | W2010140900 | FLUID NEEDLE GUIDE | | 3,60 | F | W2KIT52 | NON DRIP SET (3 pcs./1 pk.) | 7,50 |
| 6 | W2010140800 | FLUID NEEDLE SPRING | | 2,50 | 19 | W0CUPAZ90 | PCG-6P-2-AZ GRAVITY CUP 600 ml | 43,90 |
| 8 | W2COM3011 | NEEDLE PACKING NUT | | 2,50 | B | W2KIT07 | NON DRIP SET (5 pcs./1 pk.) | 7,00 |
| 9 | W2COM6080 | AIR VALVE SET | | 11,10 | E | W2KIT06 | FILTER SET 50 Mesh (297µ) (5 pcs./1 pk.) | 22,10 |
| 9-1 | W2010141700 | AIR VALVE SPRING | | 1,80 | | | | |
| 9-2 | W2010130600 | AIR VALVE | | 3,00 | | | | |
| 9-3 | W2010130500 | AIR VALVE SEAT | | 5,20 | | | | |
| 10 | W2COM4001 | TRIGGER STUD | | 4,20 | | | | |
| 11 | 93003810 | TRIGGER | | 6,40 | | | | |
| 12 | 93845531 | AIR ADJUSTMENT SET | | 42,50 | | | | |
| 13 | W2COM6050 | PLUG | | 1,80 | | | | |
| 14 | W3COM5038 | THREADED BUSHING | | 14,70 | | | | |
| 15 | W2COM5000 | AIR NIPPLE | | 3,50 | | | | |
| 17 | W2COM2006 | NEEDLE PACKING | | 5,20 | | | | |
| C | 93005550 | PACKING SET | (3 pcs./1 pk.) | 5,20 | OPTION AND ACCESSORIES | | | |
| D | W2KIT37 | AIR VALVE SHAFT TIP SET | (5 pcs./1 pk.) | 4,60 | CODE | DESCRIPTION | | € |
| | | | | | W2KIT55UK | CLEANING KIT | | 77,10 |



AZ1 HTE 2P - PRESSURE SPRAY GUN

FEATURES



Standard Technology



High Transfer Efficiency



Easy Maintenance



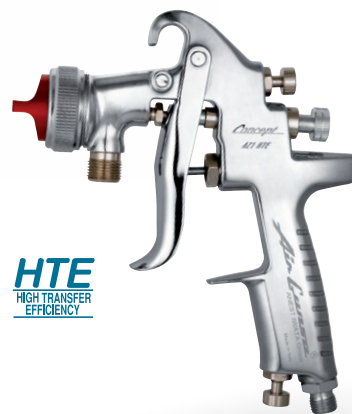
Low Overspray



Reliable



Made in Italy



HTE
HIGH TRANSFER EFFICIENCY

Pressure spray gun with new designed air caps from Air Gunsa, develop a long and tulip shaped spray pattern with an extra fine particle distribution and very little overspray. Flat and long spray pattern, even spraying heavy materials. Ideal for commercial vehicle refinishing and Industrial applications.

TECHNICAL DATA

• Air Nipple: G1/4" • Fluid Nipple: G3/8"

| model name | ø mm | cap | bar* | ml/min | NI/min | mm (in) |
|---------------------|---------------|--------|------|--------|--------|---------|
| AZ1 HTE 2P PRESSURE | SHORT PATTERN | HTE-PO | 2.5 | 200 | 184 | 220 |
| | | | | | | 230 |
| | | HTE-P4 | | | | 240 |
| | | | | | | 290 |
| AZ1 HTE 2P PRESSURE | LONG PATTERN | HTE-P2 | 2.5 | 400 | 416 | 390 |
| | | | | | | 400 |
| | | HTE-P3 | | | | 410 |
| | | | | | | 330 |

*Suggested gun inlet pressure during spraying.

ORDER INFORMATION

| | ø 1,0 | ø 1,3 | ø 1,5 | ø 1,8 | € |
|------------------------------------|--------------|--------------|--------------|--------------|--------|
| AZ1 HTE 2P- Short Pattern | W0SPG72AG10C | W0SPG72AG13C | W0SPG72AG15C | W0SPG72AG18C | 125,50 |
| AZ1 HTE 2P- Long Pattern | W0SPG73AG10C | W0SPG73AG13C | W0SPG73AG15C | W0SPG73AG18C | 125,50 |
| AIR CAP SET - Short Pattern | W2CAP70AG13 | | | | 57,70 |
| AIR CAP SET - Long Pattern | W2CAP73AG13 | | | | 57,70 |
| FLUID NOZZLE & NEEDLE | W2ADU72AG10 | W2ADU72AG13 | W2ADU72AG15 | W2ADU72AG18 | 40,80 |

ORDER INFORMATION

| | ø 2,0 | ø 2,5 | ø 3,0 | ø 3,5 | € |
|------------------------------------|--------------|--------------|--------------|--------------|--------|
| AZ1 HTE 2P- Short Pattern | W0SPG72AG20C | W0SPG72AG25C | W0SPG72AG30C | W0SPG72AG35C | 125,20 |
| AZ1 HTE 2P- Long Pattern | W0SPG73AG20C | W0SPG73AG25C | W0SPG73AG30C | W0SPG73AG35C | 125,20 |
| AIR CAP SET - Short Pattern | W2CAP70AG13 | W2CAP72AG25 | | | 57,70 |
| AIR CAP SET - Long Pattern | W2CAP73AG13 | W2CAP70AG25 | | | 57,70 |
| FLUID NOZZLE & NEEDLE | W2ADU72AG20 | W2ADU72AG25 | W2ADU72AG30 | W2ADU72AG35 | 40,80 |

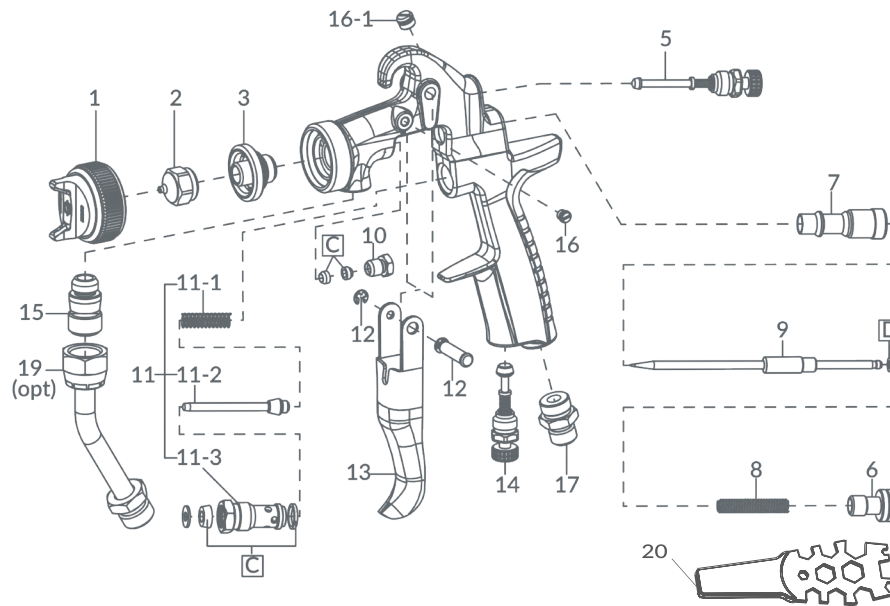
SET OPTIONS & CONTENTS

CARTON BOX



AZ1 HTE 2P Spray Gun
Universal Spanner

SPARE PARTS



| REF. | CODE | DESCRIPTION | QTY. | € | REF. | CODE | DESCRIPTION | QTY. | € |
|------|------------------------|---------------------------|---------------|-------|------|----------|-------------------|--------------|-------|
| 1 | see table on left page | AIR CAP SET | | 57,70 | E | W2KIT43 | FILTER SET | (5 pcs./1pk) | 11,90 |
| 2+9 | see table on left page | FLUID NOZZLE + NEEDLE SET | | 40,80 | F | W2KIT42 | LID PACKING SET | (2 pcs./1pk) | 4,40 |
| 3 | W3COM3052 | NOZZLE HOLDER | | 23,30 | 20 | 930171A0 | UNIVERSAL SPANNER | | 8,80 |
| 5 | 93842601 | PATTERN ADJUSTMENT SET | | 40,80 | | | | | |
| 6 | W2010141000 | FLUID NEEDLE ADJ. KNOB | | 2,50 | | | | | |
| 7 | W2010140900 | NEEDLE ADJ. GUIDE | | 3,60 | | | | | |
| 8 | W2010140800 | NEEDLE SPRING | | 2,50 | | | | | |
| 10 | W2010140600 | NEEDLE PACKING NUT | | 2,50 | | | | | |
| 11 | W2010120100 | AIR VALVE SET | | 9,30 | | | | | |
| 11-1 | W2010141700 | AIR VALVE SPRING | | 1,80 | | | | | |
| 11-2 | W2010130600 | AIR VALVE | | 3,00 | | | | | |
| 11-3 | W2010130500 | AIR VALVE SEAT | | 5,20 | | | | | |
| 12 | W2COM4001 | TRIGGER STUD | | 4,20 | | | | | |
| 13 | W2COM6051 | TRIGGER | | 6,40 | | | | | |
| 14 | 93845531 | AIR ADJUSTMENT SET | | 42,50 | | | | | |
| 15 | W2COM5048 | FLUID NIPPLE G3/8" | | 2,40 | | | | | |
| 16 | W2COM5004 | SCREW | | 0,60 | | | | | |
| 16-1 | W2COM6050 | PLUG | | 1,80 | | | | | |
| 17 | W2COM5000 | AIR NIPPLE G1/4" | | 3,50 | | | | | |
| 19 | W2COM5052 | PAINT TUBE (OPTION) | | 57,70 | | | | | |
| C | W2KIT56 | PACKING SET | (3 pcs./1pk) | 5,20 | | | | | |
| D | W2KIT33 | SLIDE RING KIT | (10 pcs./1pk) | 11,70 | | | | | |



AZ1 HTE 2S - SUCTION SPRAY GUN

FEATURES



Standard Technology



High Transfer Efficiency



Easy Maintenance



Low Overspray



Reliable



Made in Italy



Suction spray gun with new designed air caps from Air Gunsa, develop a long and tulip shaped spray pattern with an extra fine particle distribution and very little overspray. Flat and long spray pattern, even spraying heavy materials. Ideal for commercial vehicle refinishing and Industrial applications.

TECHNICAL DATA

• Air Nipple: G1/4" • Fluid Nipple: G3/8"

| model name | ø mm | cap | bar* | ml/min | NI/min | mm (in) |
|--------------------|------|--------|------|--------|--------|---------|
| AZ1 HTE 2S SUCTION | 1.0 | HTE-P0 | 2.5 | 66 | 184 | 170 |
| | 1.3 | | | 80 | | 190 |
| | 1.5 | | | 113 | | 200 |
| | 1.8 | | | 154 | | 220 |
| | 2.0 | HTE-P3 | | 169 | 333 | 230 |
| | 2.5 | | | 167 | | 250 |
| | 3.0 | | | 205 | | 290 |
| | 3.5 | | | 217 | | 300 |

*Suggested gun inlet pressure during spraying.

ORDER INFORMATION

| | ø 1,0 | ø 1,3 | ø 1,5 | ø 1,8 | € |
|--------------------------|--------------|--------------|--------------|--------------|--------|
| AZ1 HTE 2S with 1lt. CUP | W0SPG70AG10C | W0SPG70AG13C | W0SPG70AG15C | W0SPG70AG18C | 150,70 |
| AIR CAP SET | W2CAP70AG13 | | | | 57,70 |
| FLUID NOZZLE & NEEDLE | W2ADU83AG10 | W2ADU83AG13 | W2ADU83AG15 | W2ADU83AG18 | 40,80 |

ORDER INFORMATION

| | ø 2,0 | ø 2,5 | ø 3,0 | ø 3,5 | € |
|--------------------------|--------------|--------------|--------------|--------------|--------|
| AZ1 HTE 2S with 1lt. CUP | W0SPG70AG20C | W0SPG70AG25C | W0SPG70AG30C | W0SPG70AG35C | 150,70 |
| AIR CAP SET | W2CAP70AG13 | W2CAP70AG25 | | | 57,70 |
| FLUID NOZZLE & NEEDLE | W2ADU83AG20 | W2ADU83AG25 | W2ADU83AG30 | W2ADU83AG35 | 40,80 |

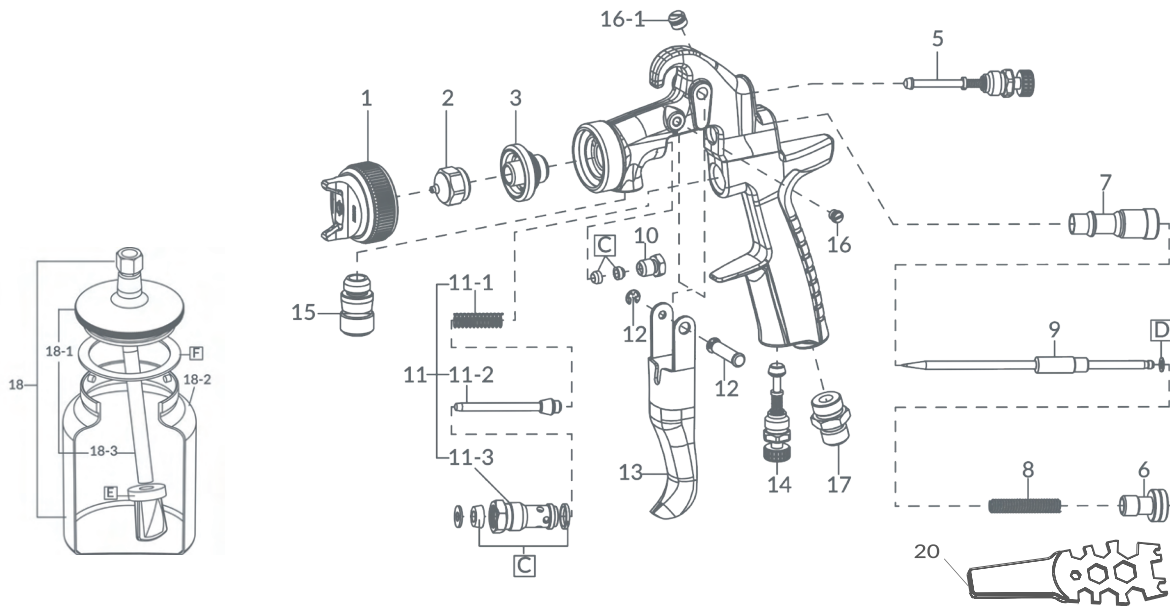
SET OPTIONS & CONTENTS

CARTON BOX



AZ1 HTE 2S Spray Gun
AG-1 Suction Container 1lt.
Universal Spanner

SPARE PARTS



| REF. | CODE | DESCRIPTION | QTY. | € | REF. | CODE | DESCRIPTION | QTY. | € |
|------|------------------------|---------------------------|---------------|-------|------|----------|-------------------------|--------------|-------|
| 1 | see table on left page | AIR CAP SET | | 57,70 | 18 | 04006100 | AG-1 CONTAINER SET | 1 lt. | 37,70 |
| 2+9 | see table on left page | FLUID NOZZLE + NEEDLE SET | | 40,80 | 18-1 | 04006110 | LID SET | | 18,20 |
| 3 | W3COM3052 | NOZZLE HOLDER | | 23,30 | 18-2 | 04006130 | SUCTION CONTAINER 1 lt. | | 20,30 |
| 5 | 93842601 | PATTERN ADJUSTMENT SET | | 40,80 | 18-3 | 04010000 | SUCTION TUBE | | 4,30 |
| 6 | W2010141000 | FLUID NEEDLE ADJ. KNOB | | 2,50 | E | W2KIT43 | FILTER SET | (5 pcs./1pk) | 11,90 |
| 7 | W2010140900 | NEEDLE ADJ. GUIDE | | 3,60 | F | W2KIT42 | LID PACKING SET | (2 pcs./1pk) | 4,40 |
| 8 | W2010140800 | NEEDLE SPRING | | 2,50 | 20 | 930171A0 | UNIVERSAL SPANNER | | 8,80 |
| 10 | W2010140600 | NEEDLE PACKING NUT | | 2,50 | | | | | |
| 11 | W2010120100 | AIR VALVE SET | | 9,30 | | | | | |
| 11-1 | W2010141700 | AIR VALVE SPRING | | 1,80 | | | | | |
| 11-2 | W2010130600 | AIR VALVE | | 3,00 | | | | | |
| 11-3 | W2010130500 | AIR VALVE SEAT | | 5,20 | | | | | |
| 12 | W2COM4001 | TRIGGER STUD | | 4,20 | | | | | |
| 13 | W2COM6051 | TRIGGER | | 6,40 | | | | | |
| 14 | 93845531 | AIR ADJUSTMENT SET | | 42,50 | | | | | |
| 15 | W2COM5048 | FLUID NIPPLE G3/8" | | 2,40 | | | | | |
| 16 | W2COM5004 | SCREW | | 0,60 | | | | | |
| 16-1 | W2COM6050 | PLUG | | 1,80 | | | | | |
| 17 | W2COM5000 | AIR NIPPLE G1/4" | | 3,50 | | | | | |
| C | W2KIT56 | PACKING SET | (3 pcs./1pk) | 5,20 | | | | | |
| D | W2KIT33 | SLIDE RING KIT | (10 pcs./1pk) | 11,70 | | | | | |



AZ3 HTE P.A.S. CONCEPT - STANDARD QUALITY

concept
FOR THE P.A.S.



Standard Technology



Pressure Assisted Technology



High Viscosity



High Transfer Efficiency



Easy Maintenance



Reliable

MADE IN ITALY

Made in Italy

Standard Quality Spray Gun for Car Refinish Spray Putty coatings. Pressure Assisted System (P.A.S.) with special pressurized cup for the atomization of high viscosity materials such as thixotropic WB paints. High atomization performance. Mini pressure regulator for high precision cup pressurization.

HTE P1
HIGH TRANSFER EFFICIENCY

TECHNICAL DATA

• Air Nipple: G1/4" • Fluid Nipple: G1/4"

| model name | ø mm | cap | bar* | ml/min | NI/min | mm (in) |
|------------------------|------|----------------|------|--------|--------|---------|
| AZ3 HTE P.A.S. CONCEPT | 1.3 | HTE-P1 CONCEPT | 2.5 | 190 | 286 | 270 |
| | 1.5 | | | 260 | | 320 |
| | 1.8 | | | 396 | | 380 |
| | 2.0 | | | 410 | | 400 |

METAL LID
STURDY & RESISTANT
for HEAVY DUTY USE

*Suggested gun inlet pressure during spraying.

ORDER INFORMATION

| | ø 1,3 | ø 1,5 | ø 1,8 | ø 2,0 | € |
|--------------------------------|--------------|--------------|--------------|--------------|--------|
| AZ3 HTE P.A.S. with 600 ml cup | W0SPG88AG13C | W0SPG88AG15C | W0SPG88AG18C | W0SPG88AG20C | 328,90 |
| AIR CAP SET (HTE-P1 CONCEPT) | W2CAP83AG13 | | | | 60,00 |
| FLUID NOZZLE & NEEDLE | W2ADU83AG13 | W2ADU83AG15 | W2ADU83AG18 | W2ADU83AG20 | 40,80 |

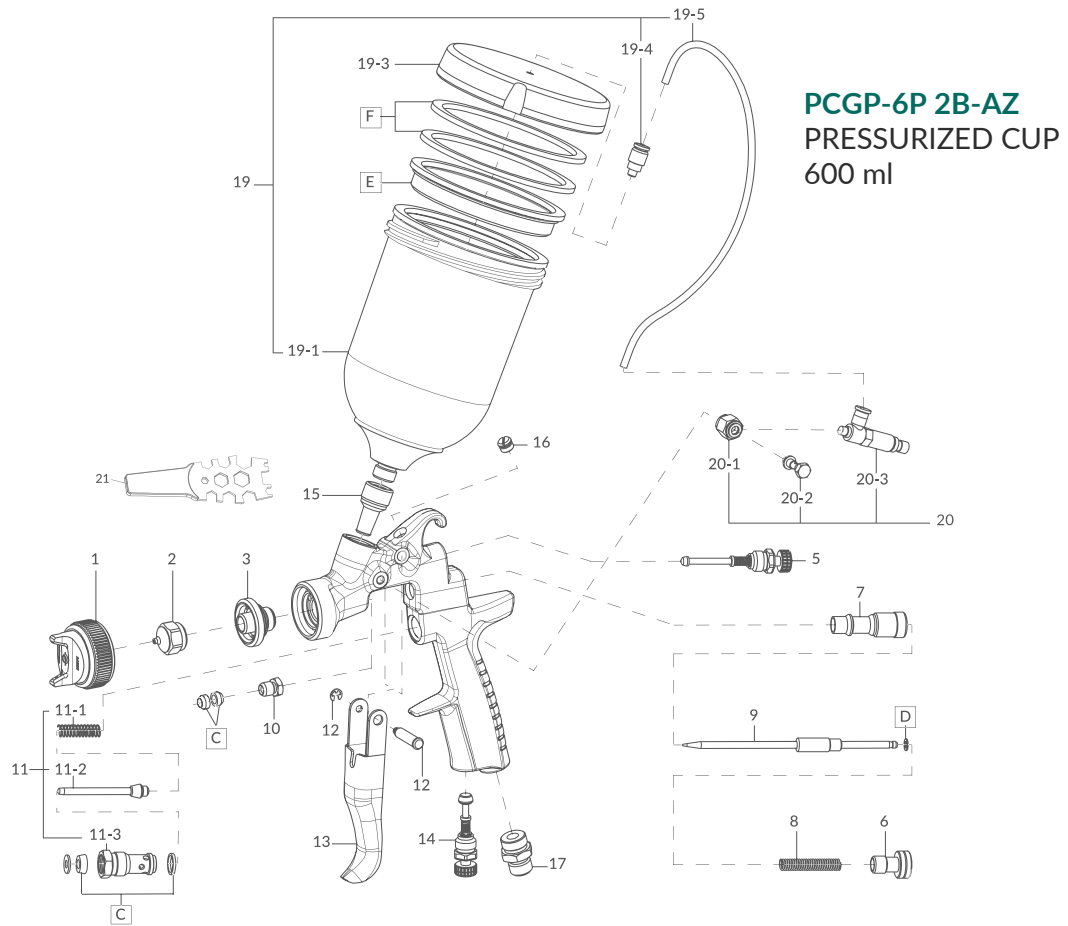
SET OPTIONS & CONTENTS

CARTON BOX



AZ3 HTE P.A.S. Concept Spray Gun
PCGP-6P-2P-AZ PRESSURIZED CUP 600 ml
Universal Spanner

SPARE PARTS



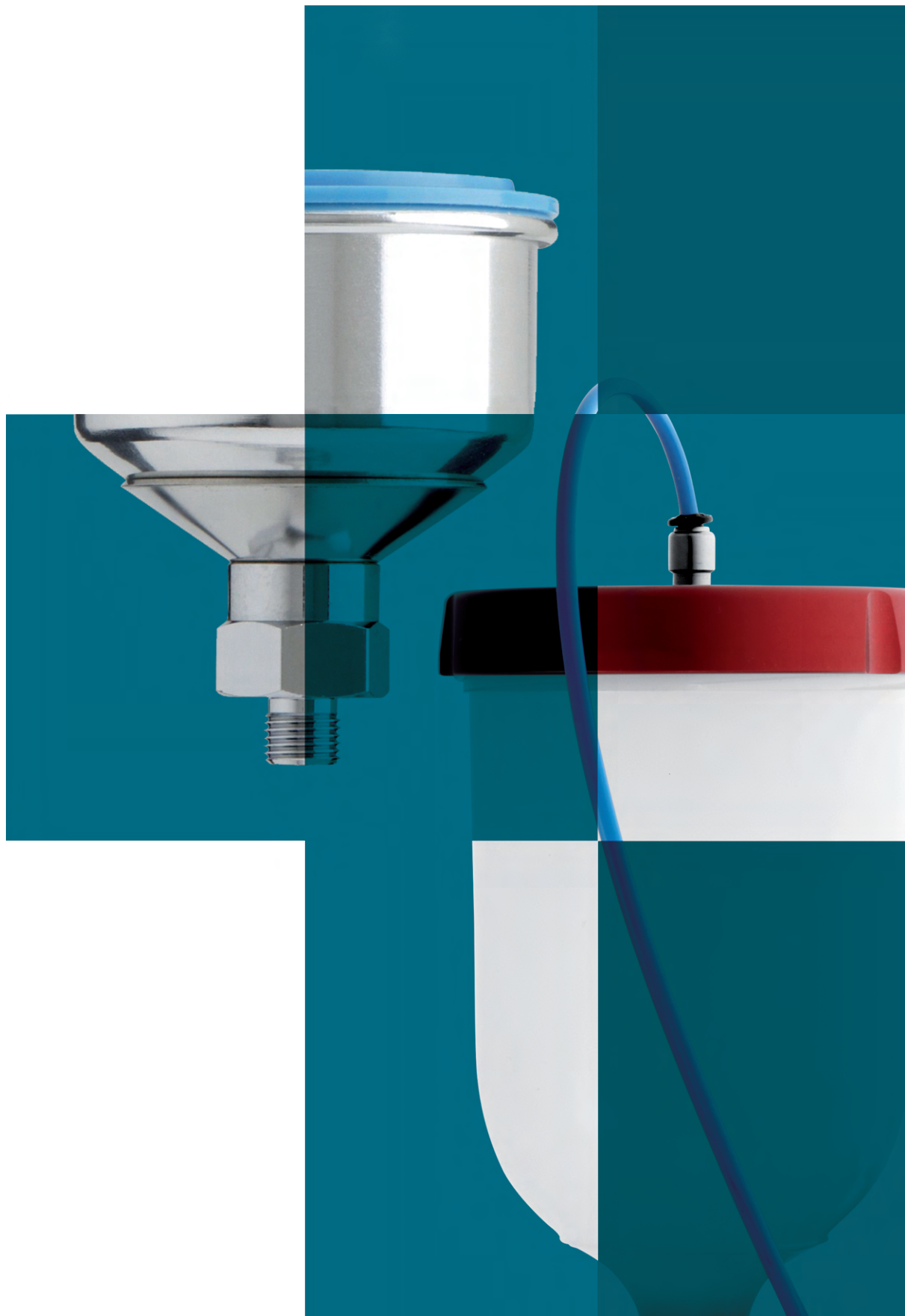
| REF. | CODE | DESCRIPTION | € | REF. | CODE | DESCRIPTION | € |
|-------------------------------|------------------------|--------------------------------|-------|-------------|--------------------|--------------------------------------|----------|
| 1 | see table on left page | AIR CAP SET | 60,00 | 19 | W0CUPAZ85 | PCGP-6P-2B-AZ PRESSURIZED CUP 600 ml | 110,20 |
| 2+9 | see table on left page | NOZZLE + NEEDLE SET | 40,80 | 19-1 | W3COM1037 | PRESSURE CUP | 46,70 |
| 3 | W3COM3050 | NOZZLE HOLDER | 28,60 | 19-3 | W3COM1031 | LID | 53,60 |
| 5 | 93842601 | PATTERN ADJ. SET | 40,80 | 19-4 | W3COM5041 | STRAIGHT MALE ADAPTOR | 5,20 |
| 6 | W2010141000 | FLUID NEEDLE ADJ. KNOB | 2,50 | 19-5 | 0010002700 | AIR HOSE | 2,90 |
| 7 | W2010140900 | FLUID NEEDLE GUIDE | 3,60 | E | W2KIT38 | NON DRIP SET (3 pcs.) | 5,90 |
| 8 | W2010140800 | FLUID NEEDLE SPRING | 2,50 | F | W2KIT39 | LID PACKING SET (4 pcs.) | 7,50 |
| 10 | W2010140600 | FLUID NEEDLE PACKING NUT | 2,50 | 20 | W2SUB6066 | PRESSURE REGULATOR SET | 57,10 |
| 11 | W2010120100 | AIR VALVE SET | 9,30 | 20-1 | W3COM4030 | ORIENTING RING | 2,90 |
| 11-1 | W2010141700 | AIR VALVE SPRING | 1,80 | 20-2 | W3COM4033 | BANJO STEM SINGLE | 2,40 |
| 11-2 | W2010130600 | AIR VALVE | 3,00 | 20-3 | W3COM5032 | PRESSURE REGULATOR | 47,80 |
| 11-3 | W2010130500 | AIR VALVE SEAT | 5,20 | 21 | 930171A0 | UNIVERSAL SPANNER | 8,80 |
| 12 | W2COM4001 | TRIGGER STUD | 4,20 | | | | |
| 13 | W2COM6051 | TRIGGER | 6,40 | | | | |
| 14 | 93845531 | AIR ADJ. SET | 42,50 | | | | |
| 15 | W3COM5038 | THREADED BUSHING | 14,70 | | | | |
| 16 | W2COM6050 | PLUG | 1,80 | | | | |
| 17 | W2COM5000 | AIR NIPPLE | 3,50 | | | | |
| C | W2KIT56 | PACKING SET (3 pcs./1 pk.) | 5,20 | | | | |
| D | W2KIT33 | SLIDE RING SET (10 pcs./1 pk.) | 11,70 | | | | |
| OPTION AND ACCESSORIES | | | | | | | |
| | CODE | DESCRIPTION | | CODE | DESCRIPTION | | € |
| | W2KIT55UK | CLEANING KIT | | | | | 77,10 |



2

GRAVITY CUPS & FILTERS and





GRAVITY CUPS

Central 600 ml [ORDER INFORMATION](#)

| MODEL | CODE | CONNECTION | Available for | € |
|---------------|-------------|----------------|--|--------|
| PCG-6P-2-AZ | W0CUPAZ90 | G1/4" (PF1/4") | AZ3 HTE 2 - AZ3 HTE-S Impact AZ4 HTE S Junior | 43,90 |
| PCG-6P-2B-AZ | W0012820100 | G1/4" (PF1/4") | AZ3 HTE 2 AV - AZ3 HTE 2 HVLP | 15,70 |
| PCGP-6P-2B-AZ | W0CUPAZ85 | G1/4" (PF1/4") | AZ3 HTE P.A.S. Concept | 110,20 |



Central "UV BLACK CUP" 600 ml [ORDER INFORMATION](#)

| MODEL | CODE | CONNECTION | Available for | € |
|--------------|-----------|----------------|------------------|-------|
| UV BLACK CUP | W0CUPAZ91 | G1/4" (PF1/4") | AZ3 HTE-S Impact | 43,90 |



Central 200 ml [ORDER INFORMATION](#)

| MODEL | CODE | CONNECTION | Available for | € |
|--------------|-------------|----------------|------------------|-------|
| PCG-2P-2 | W0CUPAZ40IN | G1/4" (PF1/4") | AZ4 HTE S Junior | 40,80 |
| PCG-2P-2B-AZ | W0CUPAZ40 | G1/4" (PF1/4") | AZ40 HTE | 17,50 |



Central 70 ml [ORDER INFORMATION](#)

| MODEL | CODE | CONNECTION | Available for | € |
|--------------|-------------|----------------|------------------|-------|
| PCG-1P-1B-AZ | W0012320100 | G1/8" (PF1/8") | AZ5 | 8,80 |
| PCG-1P-2 | 13001200 | G1/4" (PF1/4") | AZ4 HTE S Junior | 22,70 |



Paint FILTER for Gravity Cups [ORDER INFORMATION](#)

| MODEL | CODE | Size | Available for | € |
|---------------------------|---------|----------------|---|-------|
| PAINT FILTER SET (5 pcs.) | W2KIT06 | 60 MESH (250µ) | AZ3 HTE 2 (600 ml) AZ3 HTE S IMPACT (600 ml) | 22,10 |



Suction CONTAINER 1 lt. [ORDER INFORMATION](#)

| MODEL | CODE | CONNECTION | Available for | € |
|-------|----------|----------------|---------------|-------|
| AG-1 | 04006100 | G3/8" (PF3/8") | AZ1 HTE 2S | 37,70 |



3

GENERAL
ACCESSORIES

HEALT
PROTECTION



ANEST IWATA **OVERALL** - PREMIUM QUALITY

Premium Overall provides high protection against overspray and prevents pollution of the painting job by fibers, dust and lint. Designed for full comfort with antistatic fiber.

PERSONAL PROTECTIVE EQUIPMENT (PPE)

Category I according to the European Directive 2016/425
Basic PPE protects against minimal risks.



OVERALL'S SIZE CHART

| SIZE | S | M | L | XL |
|-------|------------|------------|------------|------------|
| EU | 46 | 48 | 50 | 52-54 |
| HIGH | 170-174 cm | 174-178 cm | 178-182 cm | 182-190 cm |
| CHEST | 86-94 cm | 94-102 cm | 102-110 cm | 110-118 cm |
| WAIST | 70-78 cm | 78-86 cm | 86-94 cm | 94-102 cm |



SAFETY EQUIPMENT

ORDER INFORMATION

| CODE | DESCRIPTION | SIZE | € |
|----------|-----------------|------|--------|
| 150006A0 | PREMIUM OVERALL | S | 110,00 |
| 150007A0 | PREMIUM OVERALL | M | 110,00 |
| 150008A0 | PREMIUM OVERALL | L | 110,00 |
| 150009A0 | PREMIUM OVERALL | XL | 110,00 |

VISIONSHIELD PROTECTIVE **GOOGLES**

Polycarbonate lenses for medium energy hi-speed particles
The frame offers protection against large dust particles and liquid droplets.

ORDER INFORMATION

| CODE | DESCRIPTION | € |
|----------------|----------------------|-------|
| AGN020-441-3P0 | VISIONSHIELD GOOGLES | 31,50 |



SAFETY EQUIPMENT

CONFORMS TO
EN166:2001



VISIONSHIELD PROTECTIVE **GLASSES**

Designed with soft rubber frame, with Polycarbonate lenses
and adjustable non-slip nose pad.

ORDER INFORMATION

| CODE | DESCRIPTION | € |
|----------------|----------------------|-------|
| ASA770-15K-4P0 | VISIONSHIELD GLASSES | 24,40 |



SAFETY EQUIPMENT

CONFORMS TO
EN166:2001



AIR FED 2020 FULL FACE MASK



Compressed air-supplied respirator full face mask provides protection against airborne dusts, mists, gases and vapours. This system offers respiratory protection to class LDH 3 and hence offers a protection factor of up to 200 i.e.

EQUIPPED WITH:

Browguard and vizor - Cover for vizor - Waistbelt
Pre-set air regulator - Carbon filter - Gun hose fittings 1,25 m



SAFETY EQUIPMENT

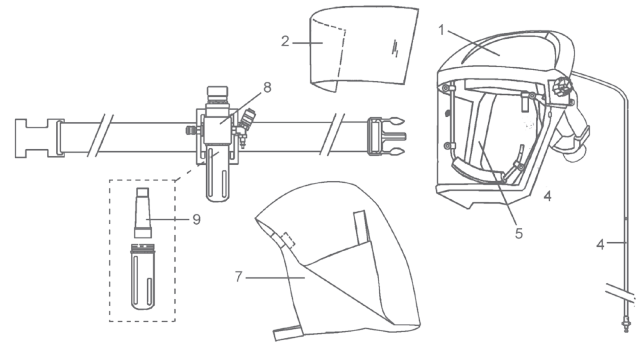
HOSE/AIRLINE BREATHING APPARATUS CONFORMS TO EN166:2001

VISOR CONFORMS TO EN166:2001



ORDER INFORMATION

| CODE | DESCRIPTION | REF. | QTY. | € |
|------------------|---------------------------|------|----------|--------|
| VIUAF2020KIT | 2020 AIR FED MASK | | | 506,50 |
| VIUAF2020HEAD | 2020 HEADPIECE ONLY | 1 | | 267,00 |
| VIUAF2020/K10-SV | VISOR PEEL OFF COVERS | 2 | (10 pcs) | 39,10 |
| VIUAF2020/K50-SV | VISOR PEEL OFF COVERS | 2 | (50 pcs) | 60,50 |
| VIUAF2020CHIN | CHIN GUARD AND FACESCREEN | 4 | | 62,90 |
| VIUAF2020DIFF | DIFFUSER TUBE | 5 | | 171,10 |
| VIUAF2101K5 | HYGIENE KIT | 6 | (5 pcs) | 103,30 |
| VIUAF2103K5 | NAPE COVERS | 7 | (5 pcs) | 117,20 |
| VIUAF2207 | BELT REGULATOR | 8 | | 235,90 |
| VIUAFG-N-AF-MC | 5 µ CARBON FILTER | 9 | | 64,10 |
| VIUAF2003 | BELT ONLY | | | 27,40 |
| VIUAF2400 | BRACKET ONLY | | | 11,20 |
| I-UK-AH008-FT26 | STUB HOSE | | | 39,40 |
| VIUAF2010HRNS | ADJ HARNESS | | | 21,40 |



HEALTH PROTECTION

VIPER HALF FACE GUARD MASK

HALF MASK with INTERCHANGEABLE COMBINED FILTERS

Half mask respirators with two different types of filtration designed for the protection against dust, gases and vapors. Built-in inhalation valves in the filter. Low inhalation resistance



A2 P3R FILTER FOR HIGH PROTECTION

Medium Capacity Organic Gas / Vapors Filter (Hydrocarbons & Solvents)
CONFORM TO: EN143:2000 + A1:2006

High Efficiency Particles Filters
CONFORM TO: EN14387:2004



AB1 P2R FILTER FOR STANDARD PROTECTION

Low Capacity Organic Gas / Vapors Filter (Hydrocarbons & Solvents)
CONFORM TO: EN143:2000 + A1:2006

Medium Efficiency Particles Filters
CONFORM TO: EN14387:2004



SAFETY EQUIPMENT

ORDER INFORMATION

| CODE | DESCRIPTION | QTY. | € |
|--------------|--|---------------------------|-------|
| 150001A0 | VIPER GUARD MASK (A2P3R Half Face Mask) | | 71,70 |
| 150002A0 | VIPER GUARD MASK (AB1P2R Half Face Mask) | | 72,50 |
| VIUGVM123 | A2P3R FILTER SET | (2 pcs) | 32,60 |
| VIUGVM510 | AB1P2R FILTER SET | (2 pcs) | 33,70 |
| VIUGVM002KIT | P2R PRE-FILTER SET | (4 pre-filters/2 holders) | 11,00 |



MAGNETIC SUPPORTS & GUN HOLDERS

MAGNETIC STAND - Magnetic Support

FEATURES

- Practical for every body shop fast, flexible and reliable adhesion on all metal surfaces thanks to an extra-strong all-surface magnet.
- Hold up to 20 kg (each holder, measured on a clean metal surface).
- Significant space savings in working area.
- Easy removal from spray both.



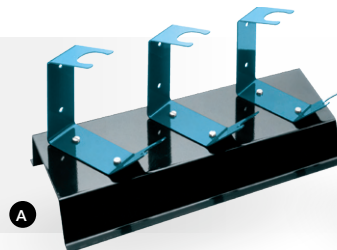
ORDER INFORMATION

| CODE | DESCRIPTION | REF. | € |
|-----------|--|------|-------|
| W2COM6052 | MAGNETIC SPRAY GUN HOLDER (for 3 Spray Guns) | 1 | 66,10 |
| W2COM6120 | MAGNETIC SPRAY GUN HOLDER (1 Single Spray Gun) | 2 | 33,70 |
| W2COM6093 | MAGNETIC ADAPTOR HOLDER (for PPS-RPS Adaptors) | 3 | 18,70 |
| W2COM6094 | MAGNETIC AIR HOSE HOLDER (Max. Hose lenght 20 m) | 4 | 70,00 |

GRAVITY GUN HOLDERS

FEATURES

- Suitable to hold Gravity Guns after use or during the filling of the cup
Available in 3 versions with base:
- Single Central Gravity (wall mountable)
 - Multiple Central Gravity (3 places)
 - Single Side Gravity



ORDER INFORMATION

| CODE | DESCRIPTION | REF. | € |
|-------------|---|------|-------|
| W2501000500 | CENTRAL GRAVITY GUN HOLDER (3 SPRAY GUNS) | A | 86,30 |
| W2501000100 | CENTRAL GRAVITY GUN HOLDER (1 SPRAY GUN) WALL MOUNTABLE | B | 27,70 |

IMPACT CONTROLLER 2

FEATURES

- Air Pressure Gauge/Regulator
- Joints G1/4"
- Chrome plated aluminium body
- Steel gauge case
- Control range 0-10 bar



ORDER INFORMATION

| CODE | DESCRIPTION | € |
|-------------|---|-------|
| W2012920700 | IMPACT CONTROLLER2 - AIR PRESSURE REGULATOR | 53,70 |

4

GARAGE
EQUIPMENT



AZ PVA & AZ PVA TN

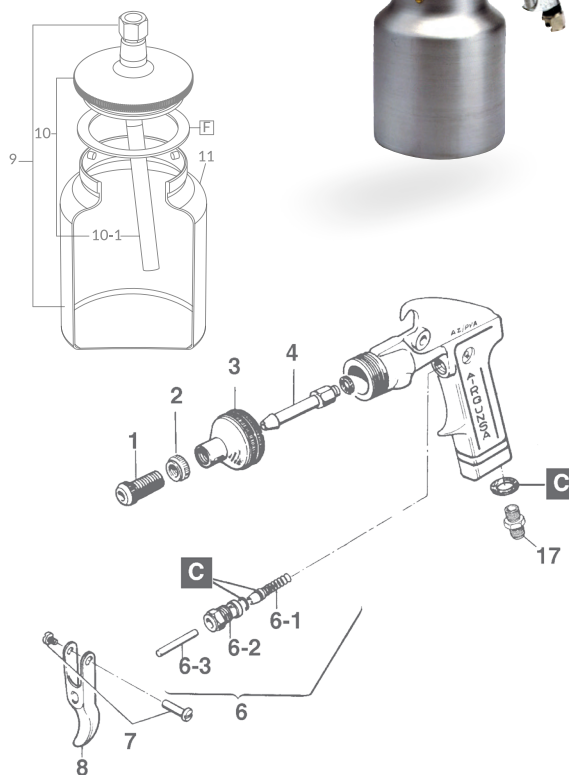
AZ PVA SPRAY GUN FOR BODY COATINGS

with 1 lt. PIN LOCK CUP



ORDER INFORMATION

| REF. | CODE | DESCRIPTION | € |
|------|-------------|--|-------|
| | W0011300000 | AZ PVA SPRAY GUN with 1 lt. Aluminium Pin Lock Cup | 84,00 |
| 1 | W2011340100 | EXTERNAL AIR CAP SET | 3,70 |
| 2 | W2011340900 | JAM NUT | 1,50 |
| 3 | W2011340200 | HEAD CONNECTION | 12,80 |
| 4 | W2011340300 | FLUID NOZZLE | 8,50 |
| 6 | W2011320100 | SEAT VALVE | 8,20 |
| 6-1 | W2011330300 | VALVE | 3,00 |
| 6-2 | W2011330200 | AIR VALVE SEAT SET | 4,10 |
| 6-3 | W2020140200 | AIR VALVE | 0,60 |
| 7 | W2COM4008 | TRIGGER STUD | 4,20 |
| 8 | W2011340700 | TRIGGER | 6,40 |
| 17 | W2052191414 | AIR NIPPLE G1/4" M | 1,80 |
| C | W2KIT48 | PACKING SET (7 pcs./1 pk.) | 4,90 |
| 10 | 04002460 | CONTAINER SET | 68,80 |
| 10-1 | 04002480 | LID SET | 24,80 |
| 10-2 | 04002500 | SUCTION HOSE | 14,10 |
| 10-3 | 04006130 | CONTAINER 1 lt. | 20,30 |



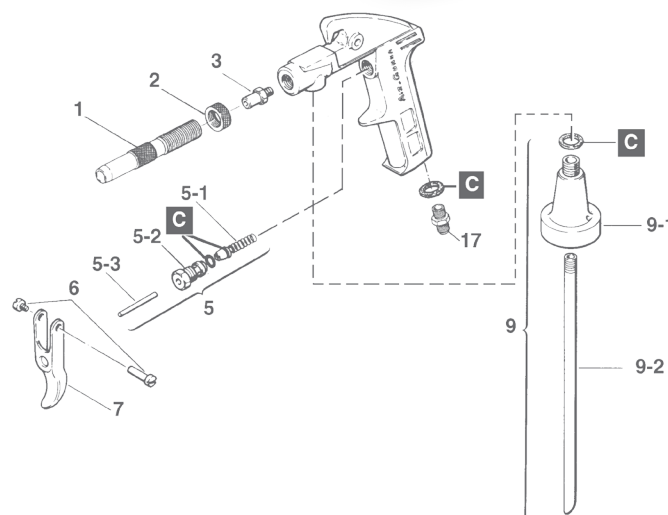
AZ PVA TN SPRAY GUN FOR BODY COATINGS

with SUCTION HOSE



ORDER INFORMATION

| REF. | CODE | DESCRIPTION | € |
|------|-------------|---------------------------------------|-------|
| | W0012200000 | AZ PVA TN SPRAY GUN with SUCTION HOSE | 76,90 |
| 1 | W2012240600 | OUTER NOZZLE | 9,30 |
| 2 | W4020130102 | MILLED NUT FOR OUTER NOZZLE | 2,40 |
| 3 | W2030640100 | AIR CAP SET | 4,20 |
| 5 | W2011320100 | SEAT VALVE | 8,20 |
| 5-1 | W2011330300 | VALVE | 3,00 |
| 5-2 | W2011330200 | AIR VALVE SEAT SET | 4,10 |
| 5-3 | W2020140200 | AIR VALVE | 0,60 |
| 6 | W2COM4008 | TRIGGER STUD | 4,20 |
| 7 | W2011340700 | TRIGGER | 6,40 |
| 9 | W2012220200 | KIT LID WITH HOSE | 29,40 |
| 9-1 | W2012240400 | LID | 23,30 |
| 9-2 | W2012240500 | SUCTION HOSE | 6,40 |
| 17 | W2052191414 | AIR NIPPLE G1/4" M | 1,80 |
| C | W2500100800 | PACKING SET (3 pcs./1 pk.) | 3,50 |



P6 - PL 6 & AE7 SPRAYERS

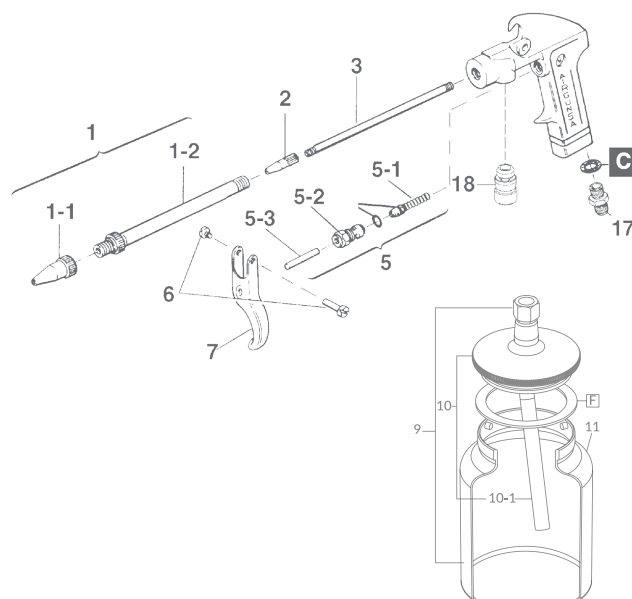


P6 & PL 6 SPRAYERS FOR OIL, PETROLEUM & DETERGENT with 1 lt. PIN LOCK CUP AG-1



ORDER INFORMATION

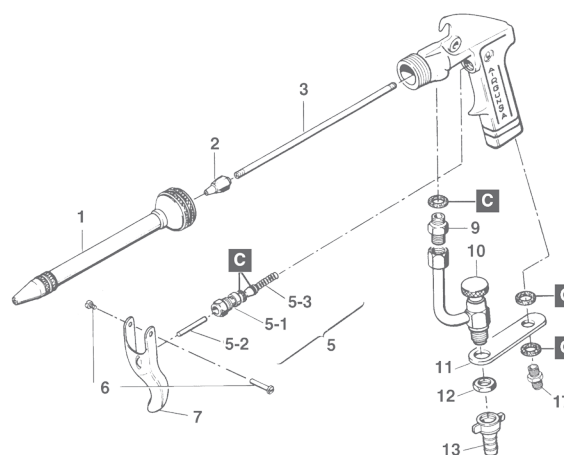
| REF. | CODE | DESCRIPTION | € |
|------|-------------|---|-------|
| | W0020100000 | P6 SPRAYER with 1 lt. ALUMINIUM CUP with 260 mm EXTENSION TUBE | 74,90 |
| | W0020200000 | PL6 SPRAYER with 1 lt. ALUMINIUM CUP with 500 mm EXTENSION TUBE | 81,90 |
| 1 | W2020120100 | OUTER TUBE SET 260 mm | 17,20 |
| 1 | W2020220100 | OUTER TUBE SET 500 mm | 23,40 |
| 1-1 | W2020140400 | NOZZLE | 4,50 |
| 1-2 | W2020130100 | TUBE 260 mm | 12,90 |
| 1-2 | W2020230100 | TUBE 500 mm | 18,50 |
| 2 | W2020140500 | AIR CAP SET | 2,20 |
| 3 | W2020140600 | INNER TUBE 260 mm | 10,70 |
| 3 | W2020240100 | INNER TUBE 500 mm | 13,40 |
| 5 | W2011320100 | SEAT VALVE | 8,20 |
| 5-1 | W2011330300 | VALVE | 3,00 |
| 5-2 | W2011330200 | AIR VALVE SEAT SET | 4,10 |
| 5-3 | W2020140200 | AIR VALVE | 0,60 |
| 6 | W2COM4008 | TRIGGER STUD | 4,20 |
| 7 | W2011340700 | TRIGGER | 6,40 |
| C | W2KIT47 | PACKING SET (6 pcs./1 pk.) | 9,30 |
| 17 | W2052191414 | AIR NIPPLE G1/4"M | 1,80 |
| 18 | W2COM5048 | FLUID NIPPLE G 3/8"M | 2,40 |
| 9 | 04006100 | AG-1 CONTAINER SET 1lt. | 37,70 |
| 10 | 04006110 | LID SET | 18,20 |
| 10-1 | 04010000 | SUCTION TUBE | 4,30 |
| 11 | 04006130 | CONTAINER 1 lt. | 20,30 |
| F | W2KIT42 | LID PACKING SET (2 pcs./1 pk.) | 4,60 |



AE7 SPRAYER FOR MIXED AIR & WATER

ORDER INFORMATION

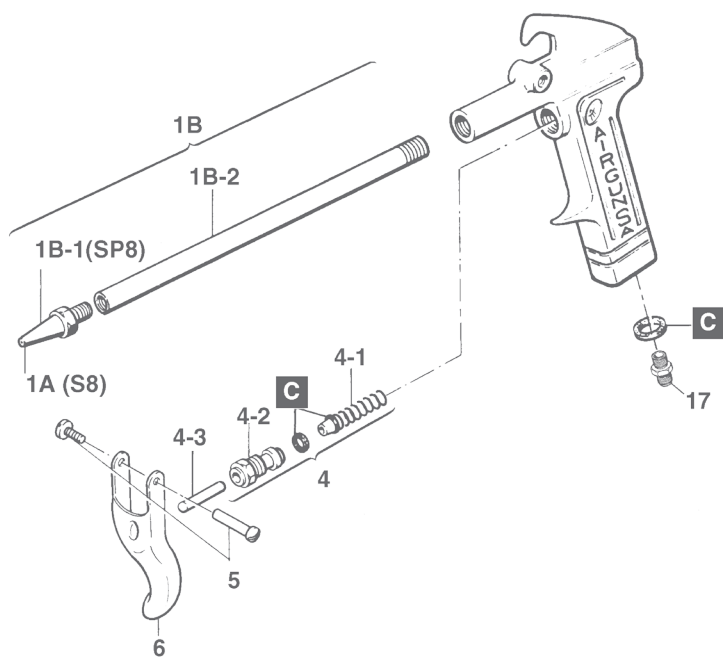
| REF. | CODE | DESCRIPTION | € |
|------|-------------|----------------------------|--------|
| | W0020500000 | AE7 SPRAYER | 147,40 |
| 1 | W2020530100 | NOZZLE OUTER 210 mm | 24,50 |
| 2 | W2020540100 | FLUID NOZZLE | 2,60 |
| 3 | W2020540200 | NOZZLE CONNECTION | 5,20 |
| 5 | W2011320100 | SEAT VALVE | 8,20 |
| 5-1 | W2011330300 | VALVE | 3,00 |
| 5-2 | W2011330200 | AIR VALVE SEAT SET | 4,10 |
| 5-3 | W2020140200 | AIR VALVE | 0,60 |
| 6 | W2COM4008 | TRIGGER STUD | 4,20 |
| 7 | W2011340700 | TRIGGER | 6,40 |
| 9 | W2020540500 | AIR NIPPLE | 3,80 |
| 10 | W2020530200 | DRAIN VALVE | 50,90 |
| 11 | W2020540300 | CONNECTION PLATE | 2,80 |
| 12 | W2020540400 | HEXAGON NUT | 1,80 |
| 13 | W2052293812 | CONNECTION HOSE | 3,50 |
| 17 | W2052191414 | AIR NIPPLE G1/4"M | 1,80 |
| C | W2500200100 | PACKING SET (5 pcs./1 pk.) | 3,80 |



S8 & SP8 BLOWING GUNS

S8 BLOWING GUN

SP8 BLOWING GUN with Extension Nozzle



ORDER INFORMATION

| REF. | CODE | DESCRIPTION | € |
|-------|-------------|--|-------|
| | W0030100000 | S8 BLOWING GUN | 39,80 |
| | W0030200000 | S8 BLOWING GUN with Quick Coupling 1/4" | 39,80 |
| | W0030700000 | SP8 BLOWING GUN with Nozzle Extension 240 mm | 43,10 |
| | W0030300000 | SP8 BLOWING GUN with Nozzle Extension 240 mm with Quick Coupling 1/4" | 43,10 |
| 1 A | W2030140200 | NOZZLE S8 | 4,40 |
| 1 B | W2030720100 | KIT OUTER HOSE 240 mm SP8 | 16,00 |
| 1 B-1 | W2030740200 | OUTER HOSE SP8 | 3,80 |
| 1 B-2 | W2030740300 | HOSE 240 mm SP8 | 12,30 |
| 4 | W2011320100 | SEAT VALVE | 8,20 |
| 4-1 | W2011330300 | VALVE | 3,00 |
| 4-2 | W2011330200 | AIR VALVE SEAT SET | 4,10 |
| 4-3 | W2020140200 | AIR VALVE | 0,60 |
| 5 | W2COM4008 | TRIGGER STUD | 4,20 |
| 6 | W2011340700 | TRIGGER | 6,40 |
| C | W2500300300 | PACKING SET (4 pcs./1 pk.) | 3,40 |
| 17 | W2052191414 | AIR NIPPLE G1/4" M | 1,80 |

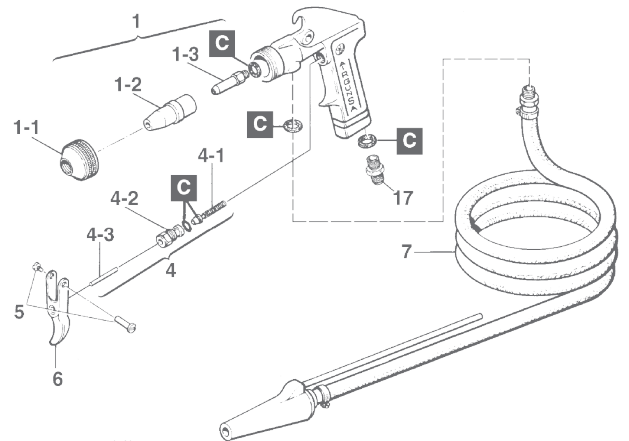
ST - ST 1 & ST1 S



ST SANDBLASTING GUN with SAND SUCTION HOSE

ORDER INFORMATION

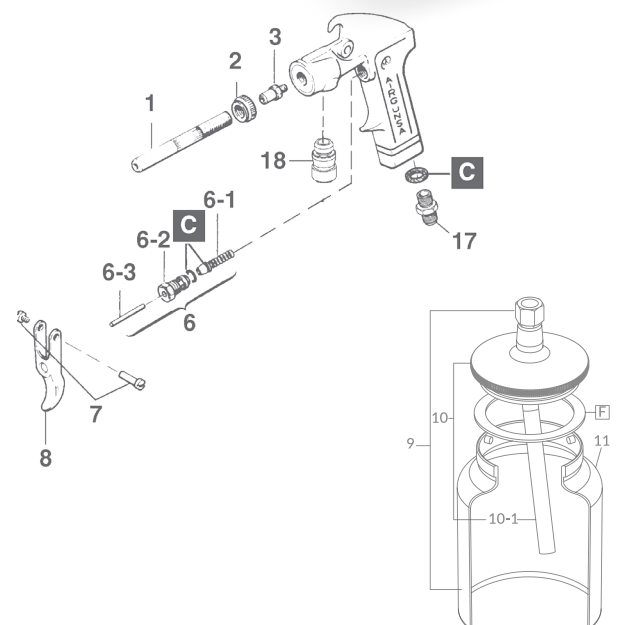
| REF. | CODE | DESCRIPTION | € |
|------|-------------|---|-------|
| | W0030500050 | ST SANDBLASTING GUN ø 5.0 mm with 1,5 m SAND SUCTION HOSE | 93,80 |
| | W0030510150 | ST SANDBLASTING GUN ø 5.0 mm | 93,00 |
| | W0030500060 | ST SANDBLASTING GUN ø 6.0 mm with 1,5 m SAND SUCTION HOSE | 99,10 |
| | W0030510160 | ST SANDBLASTING GUN ø 6.0 mm | 93,00 |
| 1 | W2030520150 | NOZZLE SET ø 5 mm | 31,50 |
| 1 | W2030520160 | NOZZLE SET ø 6 mm | 31,50 |
| 1-1 | W2030540100 | CONNECTION AIR CAP | 12,30 |
| 1-2 | W2030540550 | HARDENED STEEL OUTER NOZZLE ø 5 mm | 25,00 |
| 1-2 | W2030540560 | HARDENED STEEL OUTER NOZZLE ø 6 mm | 25,00 |
| 1-3 | W2030540400 | STAINLESS STEEL INNER NOZZLE | 5,20 |
| 4 | W2011320100 | AIR VALVE SET | 8,20 |
| 4-1 | W2011330300 | AIR VALVE | 3,00 |
| 4-2 | W2011330200 | AIR VALVE SEAT | 4,10 |
| 4-3 | W2020140200 | AIR VALVE SHAFT | 0,60 |
| 5 | W2COM4008 | TRIGGER STUD | 4,20 |
| 6 | W2011340700 | TRIGGER | 6,40 |
| 7 | W0030530100 | SUCTION HOSE SET | 39,10 |
| 17 | W2052191414 | AIR NIPPLE G1/4" M | 1,80 |
| C | W2500300100 | PACKING SET (5 pcs./1 pk.) | 3,60 |



ST1 & ST1 S SANDBLASTING GUN

ORDER INFORMATION

| REF. | CODE | DESCRIPTION | € |
|------|-------------|---|-------|
| | W0030600000 | ST1 SANDBLASTING GUN with 1 lt. PIN LOCK CUP AG-1 | 82,70 |
| | W0030800000 | ST1 S SANDBLASTING GUN with 3 m SAND SUCTION HOSE | 82,70 |
| 1 | W2030640300 | NOZZLE | 26,20 |
| 2 | W2030640200 | JAM NUT | 2,40 |
| 3 | W2030640100 | AIR CAP SET | 4,20 |
| 6 | W2011320100 | AIR VALVE SET | 8,20 |
| 6-1 | W2011330300 | AIR VALVE | 3,00 |
| 6-2 | W2011330200 | AIR VALVE SEAT | 4,10 |
| 6-3 | W2020140200 | AIR VALVE SHAFT | 0,60 |
| 7 | W2COM4008 | TRIGGER STUD | 4,20 |
| 8 | W2011340700 | TRIGGER | 6,40 |
| 17 | W2052191414 | AIR NIPPLE G1/4" | 1,80 |
| 18 | W2COM5048 | FLUID NIPPLE G3/8" M | 2,40 |
| C | W2KIT47 | PACKING SET (6 pcs./1 pk.) | 9,30 |
| C | W2500300200 | PACKING SET (4 pcs./1 pk.) (ST1S) | 3,70 |
| M | W0030830100 | SUCTION HOSE (ST1S) | 28,50 |
| 9 | 04006100 | AG-1 CONTAINER SET | 37,70 |
| 10 | 04006110 | LID SET | 18,20 |
| 10-1 | 04010000 | SUCTION TUBE | 4,30 |
| 11 | 04006130 | CONTAINER 1 lt. | 20,30 |
| F | W2KIT42 | LID PACKING SET (2 pcs./1 pk.) | 4,60 |



5

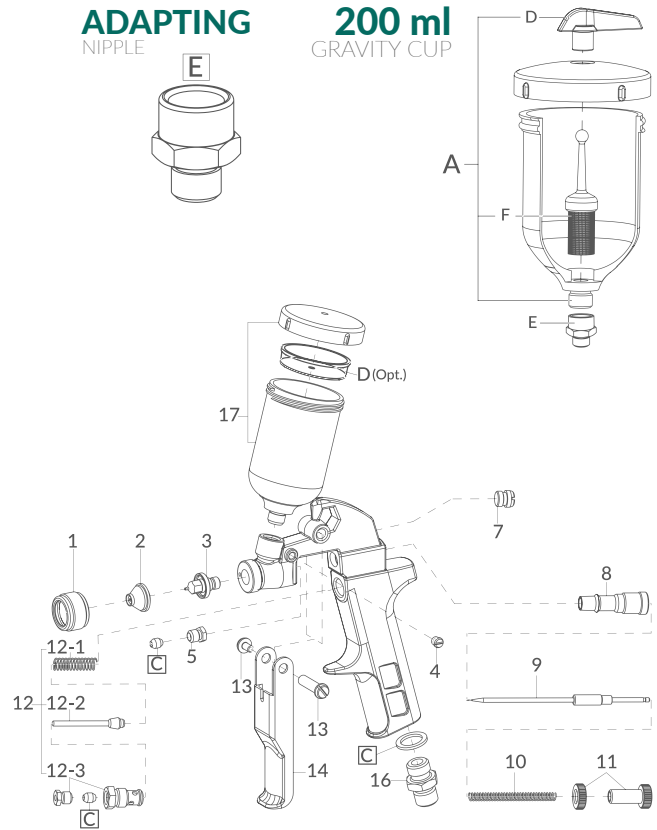
SUPERSEDED
PRODUCTS



SPARE PARTS

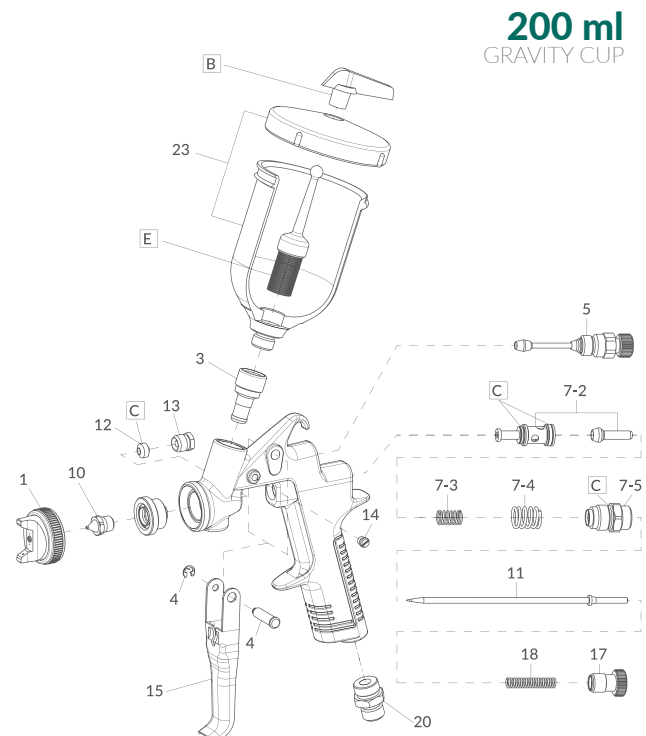
AZ5 ROUND PATTERN

| REF. | CODE | DESCRIPTION | € |
|------|-------------|---|-------|
| 1 | W2011140100 | AIR CAP COVER | 3,50 |
| 2 | - | AIR CAP SET (ø 0,3 - 0,5 - 0,8 - 1,0) | 3,50 |
| 3+9 | - | NOZZLE+NEEDLE SET (ø 0,3 - 0,5 - 0,8 - 1,0) | 3,50 |
| 4 | W2COM5004 | SCREW | 0,60 |
| 5 | W2011131100 | NEEDLE PACKING NUT | 2,40 |
| 7 | W2010940500 | PLUG | 1,20 |
| 8 | W2010940600 | FLUID NEEDLE GUIDE | 3,50 |
| 10 | W2012340400 | FLUID NEEDLE SPRING | 3,50 |
| 11 | W2012331500 | FLUID ADJ. KNOB | 4,60 |
| 12 | W2012320200 | AIR VALVE SET | 9,80 |
| 12-1 | W2010942100 | AIR VALVE SPRING | 1,90 |
| 12-2 | W2012331600 | AIR VALVE | 2,90 |
| 12-3 | W2010930400 | AIR VALVE SEAT SET | 7,00 |
| 13 | W2COM4008 | TRIGGER STUD | 4,20 |
| 14 | W2010941800 | TRIGGER | 7,00 |
| 16 | W2052191414 | AIR NIPPLE G1/4" M | 1,80 |
| C | W2500100400 | PACKING SET | 4,10 |
| 17 | W0012320100 | PCG-1P-1B-AZ GRAVITY CUP 70 ml | 8,80 |
| D | W2KIT52 | NON DRIP SET (optional) | 7,50 |
| A | W0010920900 | GRAVITY CUP 200 ml | 16,40 |
| D | W2KIT07 | NON DRIP SET | 7,00 |
| E | W2052591812 | ADAPTING NIPPLE | 3,40 |
| F | W2KIT06 | PAINT FILTER SET50 Mesh (297µ) | 22,10 |



AZ40 HTE AV

| REF. | CODE | DESCRIPTION | € |
|-------|-------------|---|-------|
| 1 | - | AIR CAP SET (ø 0,8 - 1,0 - 1,2 - 1,5 - 1,8 - 2,0) | |
| 10+11 | - | NOZZLE + NEEDLE SET (ø 0,8 - 1,0 - 1,2 - 1,5 - 1,8 - 2,0) | |
| 3 | W4COM5003 | THREADED BUSHING | 2,40 |
| 4 | W2COM4008 | TRIGGER STUD | 4,20 |
| 5 | W2PAT40AG | PATTERN ADJ. | 11,10 |
| 7-2 | W2SUB2058 | AIR VALVE SET | 8,20 |
| 7-3 | W2COM6001 | AIR VALVE SPRING | 1,90 |
| 7-4 | W2COM6048 | AIR VALVE SPRING SEAT | 1,90 |
| 7-5 | W2SUB3042 | FLUID ADJUSTMENT GUIDE | 8,20 |
| 12 | W2COM2006 | FLUID NEEDLE PACKING | 5,20 |
| 13 | W2COM3011 | FLUID NEEDLE PACKING NUT | 2,50 |
| 14 | W2COM5004 | SCREW | 0,60 |
| 15 | W2COM6005 | TRIGGER | 6,40 |
| 17 | W2COM3007 | FLUID NEEDLE ADJ. KNOB | 2,50 |
| 18 | W2COM6002 | FLUID NEEDLE SPRING | 2,50 |
| 20 | W2COM5000 | AIR NIPPLE G1/4" M | 3,50 |
| C | W2KIT12 | PACKING SET | 13,40 |
| 23 | WOCUPAZ90 | PCG 2P-2B-AZ GRAVITY CUP 200 ml | 43,90 |
| B | W2KIT07 | NON DRIP SET (5 pcs./1 pk.) | 7,00 |
| E | W2KIT06 | FILTER SET 50 MESH (297µ) (5 pcs./1 pk.) | 22,10 |
| 23 | W0012820100 | PCG-6P-2B-AZ GRAVITY CUP 600 ml | 15,70 |
| B | W2KIT07 | NON DRIP SET (5 pcs./1 pk.) | 7,00 |
| E | W2KIT06 | FILTER SET 50 MESH (297µ) (5 pcs./1 pk.) | 22,10 |



SALES CONDITIONS



THIS PRICE LIST
IS VALID
FROM 01/01/2023

All mentioned prices are ex-works in Cardano al Campo. Transportation or delivery charges are not included in the shown price. Terms and Conditions apply. All prices are recommended retail prices: VAT is not included. For invoices below 50 € (NET), no discount is applied.

PRICING

For complaints please contact us:
e-mail: info@anest-iwata-st.com
telephone: +39 0331 73 31 20

COMPLAINTS

Goods exchange and returns must be notified to Anest Iwata in advance (before shipment). These, will be accepted only and exclusively if Anest Iwata has given the approval.

The returned goods must be unused, in perfect conditions, undamaged and with the original packaging. Used goods are generally not accepted.

GOODS
EXCHANGE
RETURNS

Anest Iwata is not responsible for errors or omissions contained in its price lists or promotional material. All prices/items/designs are subjected to changes without previous notice.



ANEST IWATA Italia S.r.l.
Chieri (TO) - ITALY.
info@anest-iwata-it.com
www.anest-iwata-coating.com

ANEST IWATA Deutschland GmbH
Leipzig - GERMANY
info@anest-iwata-de.com
www.anest-iwata-coating.com

ANEST IWATA France S.A.
Saint Quentin Fallavier, Lyon - FRANCE
info@anest-iwata-fr.com
www.anest-iwata-coating.com

ANEST IWATA U.K. Ltd.
St. Neots Cambridgeshire - ENGLAND
info@anest-iwata-uk.com
www.anest-iwata-coating.com

ANEST IWATA Iberica S.L.U.
Saint Adrià del Besos - BARCELONA - SPAIN
info@anest-iwata-ib.com
www.anest-iwata-coating.com

ANEST IWATA Scandinavia AB.
Partille, Göteborg - SWEDEN
info@anest-iwata-se.com
www.anest-iwata-coating.com

ANEST IWATA Polska Sp. z o.o.
Jasin / Swarzędz - POLAND
info@anest-iwata-pl.com
www.anest-iwata-coating.com

ANEST IWATA Motherson Coating Equipment Ltd.
Noida - INDIA
sales@aim.motherson.com
www.motherson.com/anest-iwata-motherson.html

ANEST IWATA Taiwan Corporation
Hu-Kuo - TAIWAN R.O.C.
service@anestiwata.com.tw
www.anestiwata.com.tw

PT. ANEST IWATA Indonesia
Jakarta - INDONESIA
www.anest-iwatasoutheastasia.com

NORTH AMERICA
ANEST IWATA USA Inc.
West Chester - Ohio - U.S.A.
inquiry@anestiwata.com - www.anestiwata.com

SOUTH AMERICA
ANEST IWATA DO BRASIL COMERCIAL Ltda.
Sao Paulo - BRAZIL
contato@anest-iwata.net.br - www.anest-iwata.net.br

RUSSIA
ANEST IWATA Russia LLC
Moscow - RUSSIA
tam@anestiwata.ru - www.anestiwata.ru

AUSTRALIA
ANEST IWATA Australia Pty Ltd.
Sidney - AUSTRALIA
info@anest-iwata.com.au - www.anest-iwata.com.au

SOUTH AFRICA

ANEST IWATA South Africa Pty Ltd.
Johannesburg - REPUBLIC OF SOUTH AFRICA
www.anest-iwata.co.za

ASIA

ANEST IWATA Coating Solutions Corporation
Yokohama - JAPAN
www.anest-iwata.co.jp

ANEST IWATA KOREA Corporation
Ansan City - KOREA
inquiry@aikr.co.kr
www.aikr.co.kr

ANEST IWATA Shanghai Corporation
Shanghai - CHINA
customer@anest-iwata-sh.com
www.anest-iwata-sh.com

ANEST IWATA Vietnam CO. Ltd.
Ho Chi Minh City - VIETNAM
info@anest-iwata.vn
www.anest-iwatasoutheastasia.com

ANEST IWATA Southeast Asia CO. Ltd.
Bangkok - THAILAND
info@anest-iwata.co.th
www.anest-iwatasoutheastasia.com

HEADQUARTER

ANEST IWATA Corporation
Yokohama - JAPAN
www.anest-iwata.co.jp

ANEST IWATA Strategic Center S.r.l.
Cardano al Campo (VA) - ITALY
info@anest-iwata-st.com
www.anest-iwata-coating.com